

# NORGREN EXCELON<sup>®</sup> MODULAR FILTER/ REGULATORS



**B72G Series  
Starts at  
\$65<sup>50</sup>**

- In-Line or Modular Installation
- High Efficiency Water and Particle Removal
- 5 and 40 Micron Models
- Quick Release Bayonet Bowl
- Push to Lock Adjusting Knob with Tamper Resistant Accessory
- Automatic or Manual Quarter Turn Drain

## SPECIFICATIONS

Fluid: Compressed air

Maximum Pressure:

Transparent Bowl: 10 bar (150 psig)

Metal Bowl: 17 bar (250 psig)

B72G with Metal Bowl and Auto Drain: 10 bar (150 psig)

Operating Temperature\*:

Transparent Bowl: -34 to 50°C (-30 to 125°F)

Metal Bowl: -34 to 80°C (-30 to 175°F)

## B72G MATERIALS

Body: Zinc

Bonnet: Acetal

Valve: Brass

Transparent Bowl: Polycarbonate

Metal Bowl: Zinc

Liquid Level Indicator Lens

(Metal Bowl): Transparent nylon

Element: Sintered polypropylene

Elastomers: Neoprene and nitrile

## B73G AND B74G MATERIALS

Body and Bonnet: Aluminum

Transparent Bowl: Polycarbonate

Guarded Transparent Bowl:

Polycarbonate with steel

Metal Bowl: Aluminum

Liquid Level Indicator Lens

(Metal Bowl): Transparent nylon (Pyrex<sup>®</sup> optional)

Element: Sintered polypropylene

Elastomers: Neoprene and nitrile

\* Air supply must be dry enough to avoid ice formation at temperatures below 2°C (35°F)

All models, shown smaller than actual size.



B72G-2AK-AE3-RMG, \$87.50

B73G-3AK-AD3-RMG, \$129

B74G-4AK-AD3-RMG, \$148

## OPTIONS SELECTOR

		B7□G-□□□-□□□□□□□□			
<b>Series</b>	Substitute	←		<b>Gage</b>	Substitute
72	2			With	G
73	3			Without	N
74	4			<b>Outlet pressure adjustment range*</b>	
<b>Port size</b>	Substitute	←		Substitute	
¼" (72 & 73)	2			0.3 to 4 bar (5 to 60 psig)	F
⅜" (72, 73, 74)	3			0.3 to 10 bar 5 to (5 to 150 psig)	M
½" (73 & 74)	4			0.7 to 17 bar (10 to 250 psig)**	S
¾" (74)	6			<b>Diaphragm</b>	Substitute
<b>Threads</b>	Substitute	←		Relieving	R
PTF	A			<b>Element</b>	Substitute
ISO G parallel	G			5 µm	1
<b>Adjustment</b>	Substitute	←		40 µm	3
Knob	K			<b>Bowl</b>	Substitute
T-bar	T			Metal w/ liquid level indicator (72, 73, 74)	D
<b>Drain</b>	Substitute	←		Long metal w/ liquid level indicator (72)	E
¼ turn manual	Q			Long transparent (72)	L
Auto drain*	A			Transparent with guard (73, 74)	P
				Transparent bowl (72, 73)	T

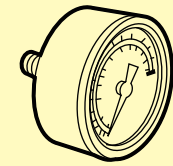
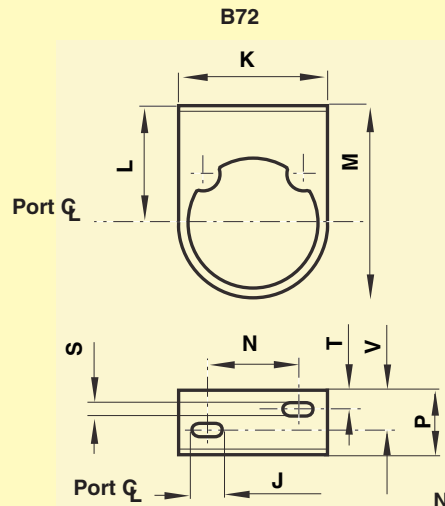
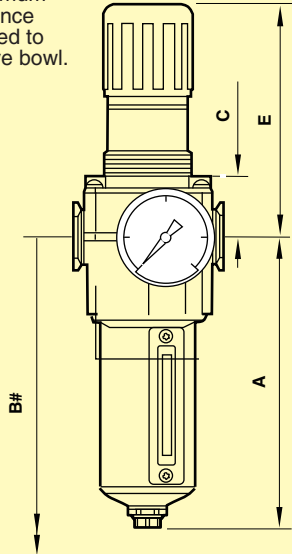
\*72 Series auto drain is available only with long bowl option.

\*Outlet pressure can be adjusted to pressures in excess of, and less than, those specified. Do not use these units to control pressures outside of the specified ranges.

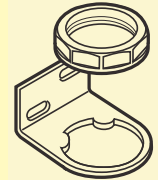
\*\*17 bar (250 psig) outlet pressure range units are available with t-handle adjustment only and standard metal bowl options.



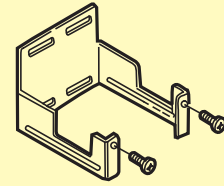
\*Optional gage.  
# minimum clearance required to remove bowl.



Gage 0...160 psig

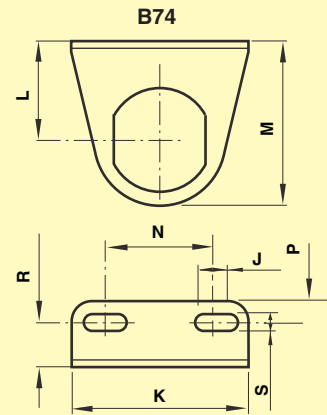
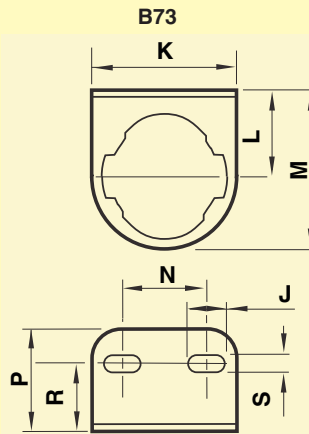


Neck mounting bracket



Wall mounting bracket (bracket only)

Neck mounting brackets



## DIMENSIONS

### STANDARD DIMENSIONS: FILTER/REGULATOR (in)

SERIES	DRAIN TYPE	A	B	C	E	F	G	H	PANEL DIA	PANEL DEPTH
72	Semi auto	6.46	8.46	1.02	2.87	1.97	1.89	1.38	1.57	0 to 0.16
72	Auto	5.98	7.99	1.02	2.87	1.97	1.89	1.38	1.57	0 to 0.16
72	Manual	5.28	7.28	1.02	2.87	1.97	1.89	1.38	1.57	0 to 0.16
73	Auto	6.48	8.84	1.22	3.78	2.68	2.44	2.2	1.89	0.07 to 0.25
73	Manual	6.14	8.5	1.22	3.78	2.68	2.44	2.2	1.89	0.07 to 0.25
74	Auto	7.03	9.75	1.22	5	3.15	2.91	2.2	2.05	0.07 to 0.25
74	Manual	6.97	9.69	1.22	5	3.15	2.91	2.2	2.05	0.07 to 0.25

### METRIC DIMENSIONS: FILTER/REGULATOR (mm)

72	Semi auto	164	215	26	73	50	48	35	40	0 to 4
72	Auto	152	203	26	73	50	48	35	40	0 to 4
72	Manual	134	185	26	73	50	48	35	40	0 to 4
73	Auto	165	225	31	96	68	62	56	48	1.8 to 6.4
73	Manual	156	216	31	96	68	62	56	48	1.8 to 6.4
74	Auto	179	248	31	127	80	74	56	52	1.8 to 6.4
74	Manual	177	246	31	127	80	74	56	52	1.8 to 6.4

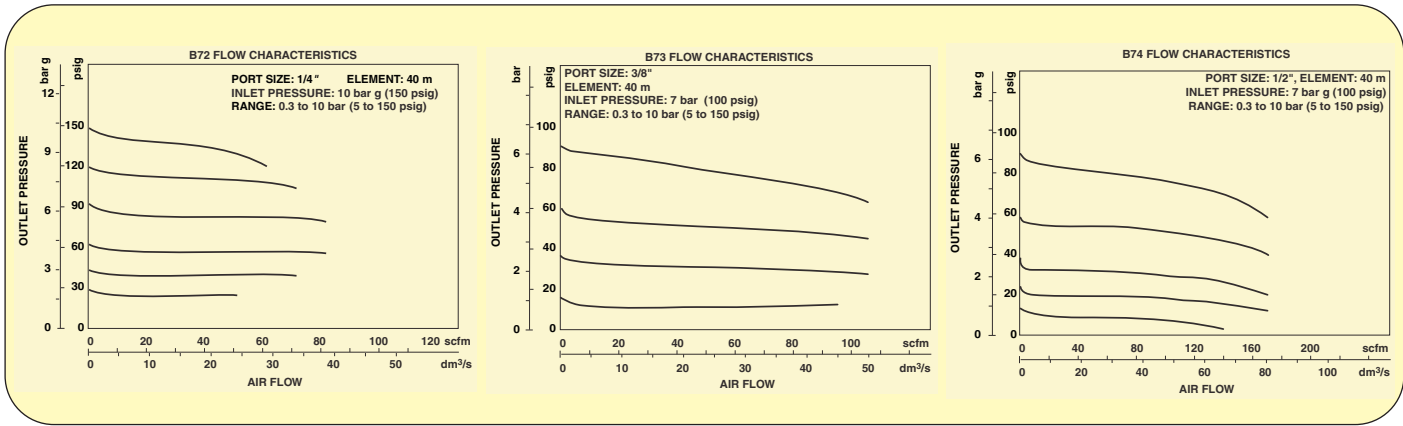
### STANDARD DIMENSIONS: NECK MOUNTING BRACKETS (in)

SERIES	J	K	L	M	N	P	R	S	T	V
72	0.31	1.93	1.5	2.5	1.18	0.94	—	0.17	0.31	0.59
73	0.67	2.52	1.5	2.76	1.5	1.5	0.98	0.28	—	—
74	0.94	3.5	2.05	3.39	2.2	1.38	0.91	0.28	—	—

### METRIC DIMENSIONS: NECK MOUNTING BRACKETS (mm)

72	7.9	49.0	38.1	63.5	30.0	23.9	—	4.3	7.9	15.0
73	17.0	64.0	38.1	70.1	38.1	38.1	24.9	7.1	—	—
74	23.9	88.9	52.1	86.1	55.9	35.1	23.1	7.1	—	—

## TYPICAL PERFORMANCE CHARACTERISTICS



### To Order (Specify Model Number)

### MOST POPULAR MODELS HIGHLIGHTED!

MODEL NO.	PRICE	µM ELEMENT	FLOW SCFM† (DM³/S)	DRAIN	DESCRIPTION
B72G-2AK-AE1-RMG	\$87.50	5	80 (38)	Auto	Filter/regulator with ¼ NPT ports
B72G-2AK-AE3-RMG	87.50	40	80 (38)	Auto	Filter/regulator with ¼ NPT ports
B72G-2AK-QD1-RMG	65.50	5	80 (38)	Manual	Filter/regulator with ¼ NPT ports
B72G-2AK-QD3-RMG	65.50	40	80 (38)	Manual	Filter/regulator with ¼ NPT ports
B72G-2GK-AE3-RMG	87.50	40	80 (38)	Auto	Filter/regulator with ¼ G ISO ports
B73G-3AK-AD1-RMG	129.00	5	123 (58)	Auto	Filter/regulator with ⅜ NPT ports
B73G-3AK-AD3-RMG	129.00	40	123 (58)	Auto	Filter/regulator with ⅜ NPT ports
B73G-3AK-QD1-RMG	97.50	5	123 (58)	Manual	Filter/regulator with ⅜ NPT ports
B73G-3AK-QD3-RMG	97.50	40	123 (58)	Manual	Filter/regulator with ⅜ NPT ports
B73G-3GK-AD3-RMG	129.00	40	123 (58)	Auto	Filter/regulator with ⅜ G ISO ports
B74G-4AK-AD1-RMG	148.00	5	212 (100)	Auto	Filter/regulator with ½ NPT ports
B74G-4AK-AD3-RMG	148.00	40	212 (100)	Auto	Filter/regulator with ½ NPT ports
B74G-4AK-QD1-RMG	117.25	5	212 (100)	Manual	Filter/regulator with ½ NPT ports
B74G-4AK-QD3-RMG	117.25	40	212 (100)	Manual	Filter/regulator with ½ NPT ports
B74G-4GK-AD3-RMG	148.00	40	212 (100)	Auto	Filter/regulator with ½ G ISO ports

### ACCESSORIES

MODEL NO.	PRICE	DESCRIPTION
OM-AIR-74316-50	\$7.00	Neck mounting bracket for B72G models
OM-AIR-4461-50	7.00	Neck mounting bracket for B73G models
OM-AIR-4368-51	13.25	Neck mounting bracket for B74G models
OM-AIR-4224-50	7.00	Wall mounting bracket for B72G models
OM-AIR-4424-50	7.50	Wall mounting bracket for B73G models
OM-AIR-4324-50	9.25	Wall mounting bracket for B74G models
OM-AIR-5925-02	6.00	40 µm replacement element for B72G models
OM-AIR-4438-04	7.50	40 µm replacement element for B73G models
OM-AIR-4338-05	8.00	40 µm replacement element for B74G models
OM-AIR-5925-03	6.00	5 µm replacement element for B72G models
OM-AIR-4438-03	7.50	5 µm replacement element for B73G models
OM-AIR-4338-04	8.00	5 µm replacement element for B74G models
OM-AIR-18-013-212	13.25	Replacement gauge for B72G models, 0 to 160 psi (11 bar)
OM-AIR-18-013-209	13.00	Replacement gauge for B73G and B74G models, 0 to 160 psi (11 bar)

**Notes:** Models listed include PTF threads, knob adjustment, metal bowl with liquid level indicator, relieving diaphragm, 0.3 to 10 bar (5 to 150 psig) outlet pressure adjustment range\* with gage.

\* Outlet pressure can be adjusted to pressures in excess of, and less than, those specified. Do not use these units to control pressures outside of the specified ranges.

† Typical flow with 10 bar (150 psig) inlet pressure, 6.3 bar (90 psig) set pressure and a 1 bar (15 psig) droop from set.

**Ordering Examples:** B72G-2AK-AE3-RMG, filter/regulator with ¼" port, flow of up to 80 scfm, metal bowl with liquid level indicator, knob adjustment and PTF threads, \$87.50.

B73G-3AK-AD3-RMG, filter/regulator with ⅜" port, flow up to 123 scfm, metal bowl with liquid level indicator, knob adjustment and PTF threads, \$129.



#### UNITED STATES

[www.omega.com](http://www.omega.com)  
1-800-TC-OMEGA  
Stamford, CT.

#### CANADA

[www.omega.ca](http://www.omega.ca)  
Laval(Quebec)  
1-800-TC-OMEGA

#### GERMANY

[www.omega.de](http://www.omega.de)  
Deckenpfronn, Germany  
0800-8266342

#### UNITED KINGDOM

[www.omega.co.uk](http://www.omega.co.uk)  
Manchester, England  
0800-488-488

#### FRANCE

[www.omega.fr](http://www.omega.fr)  
Guyancourt, France  
088-466-342

#### CZECH REPUBLIC

[www.omegaeng.cz](http://www.omegaeng.cz)  
Karviná, Czech Republic  
596-311-899

#### BENELUX

[www.omega.nl](http://www.omega.nl)  
Amstelveen, NL  
0800-099-33-44



## More than 100,000 Products Available!

### • Temperature

Calibrators, Connectors, General Test and Measurement Instruments, Glass Bulb Thermometers, Handheld Instruments for Temperature Measurement, Ice Point References, Indicating Labels, Crayons, Cements and Lacquers, Infrared Temperature Measurement Instruments, Recorders Relative Humidity Measurement Instruments, RTD Probes, Elements and Assemblies, Temperature & Process Meters, Timers and Counters, Temperature and Process Controllers and Power Switching Devices, Thermistor Elements, Probes and Assemblies, Thermocouples Thermowells and Head and Well Assemblies, Transmitters, Wire

### • Flow and Level

Air Velocity Indicators, Doppler Flowmeters, Level Measurement, Magnetic Flowmeters, Mass Flowmeters, Pitot Tubes, Pumps, Rotameters, Turbine and Paddle Wheel Flowmeters, Ultrasonic Flowmeters, Valves, Variable Area Flowmeters, Vortex Shedding Flowmeters

### • pH and Conductivity

Conductivity Instrumentation, Dissolved Oxygen Instrumentation, Environmental Instrumentation, pH Electrodes and Instruments, Water and Soil Analysis Instrumentation

### • Data Acquisition

Auto-Dialers and Alarm Monitoring Systems, Communication Products and Converters, Data Acquisition and Analysis Software, Data Loggers Plug-in Cards, Signal Conditioners, USB, RS232, RS485 and Parallel Port Data Acquisition Systems, Wireless Transmitters and Receivers

### • Pressure, Strain and Force

Displacement Transducers, Dynamic Measurement Force Sensors, Instrumentation for Pressure and Strain Measurements, Load Cells, Pressure Gauges, Pressure Reference Section, Pressure Switches, Pressure Transducers, Proximity Transducers, Regulators, Strain Gages, Torque Transducers, Valves

### • Heaters

Band Heaters, Cartridge Heaters, Circulation Heaters, Comfort Heaters, Controllers, Meters and Switching Devices, Flexible Heaters, General Test and Measurement Instruments, Heater Hook-up Wire, Heating Cable Systems, Immersion Heaters, Process Air and Duct, Heaters, Radiant Heaters, Strip Heaters, Tubular Heaters