



# COMPACT PREWIRED LIMIT SWITCHES

Starts at  
**\$79**



- Rugged Aluminum Alloy Die Cast Housing
- Sealed Construction With Enclosure Ratings of NEMA 4, 6 and 13
- Prewired With 3 m of 18 AWG, AWM 2517, 300V Cable
- Stackable Ridge for Ganged Operations

The E47 Compact Prewired Limit Switch is designed to be a versatile, slim device for hard to fit applications where sealing integrity is required. The rugged die cast aluminum alloy housing, cable connection and switch mechanism are encapsulated for protection against extreme temperature (-10 to 70°C), contaminants, moisture, shock and vibration. This factory wired (3 m) device has NEMA enclosure ratings of 4, 6 and 13, making it suitable for applications such as machine tool, food processing and packaging.

## SPECIFICATIONS

**Contacts:** 1-SPDT (Form C)

**Mechanical Life:** 10,000,000 operations  
**Electrical Life:** 200,000 operations, 30 operation/min at rated load

**Operating Speed:** 30 operations per minute maximum

**Operating Temperature Range:** 10 to 70°C (14 to 158°F)

**Storage Temperature Range:** 10 to 70°C (14 to 158°F)

**Humidity:** 95% max non-condensing

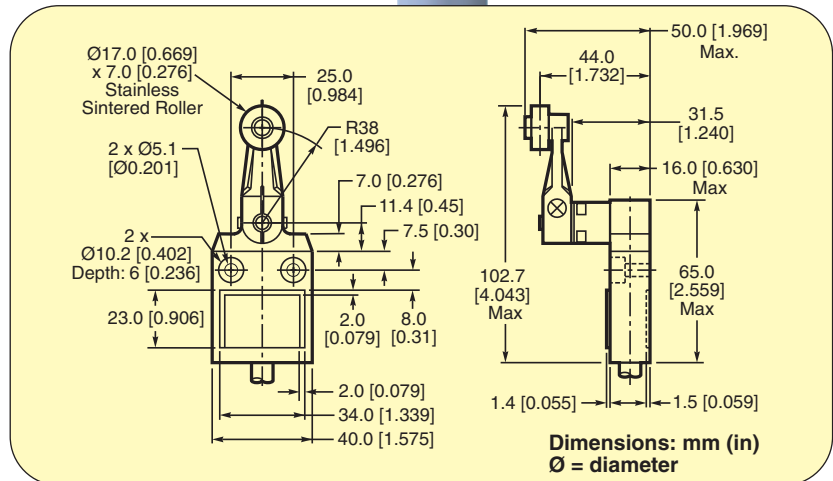
**Vibration:** Malfunction durability, 10 to 55 Hz 1.5 mm double amplitude

**Shock:** Malfunction durability, approximately 50 g

**Enclosure Ratings:** NEMA 4, 6 and 13; IEC IP67



E47BCC15, \$98





## SPECIFICATIONS — MAXIMUM AMPERE RATING

VOLTAGE	NON-INDUCTIVE LOAD (A)		INDUCTIVE LOAD (A)				INRUSH CURRENT (A)	
	RESISTIVE		INDUCTIVE		MOTOR		N C	N O
	N C	N O	N C	N O	N C	N O		
125 Vac	5.0	5.0	3.0	3.0	2.5	1.3	20 max	10 max
250 Vac	5.0	5.0	2.0	2.0	1.5	0.8		
8 Vdc	5.0	5.0	5.0	4.0	1.5	1.5		
14 Vdc	5.0	5.0	4.0	4.0	1.5	1.5		
30 Vdc	4.0	4.0	3.0	3.0	1.5	1.5		
125 Vdc	0.4	0.4	0.4	0.4	0.05	0.05		
250 Vdc	0.2	0.2	0.2	0.2	0.03	0.03		

**NOTE:** Inductive load ratings are tested at a power factor 0.4 min for AC power and a time constant of 7 ms max for DC power. Inrush current for motor load is 6 times the steady state current.

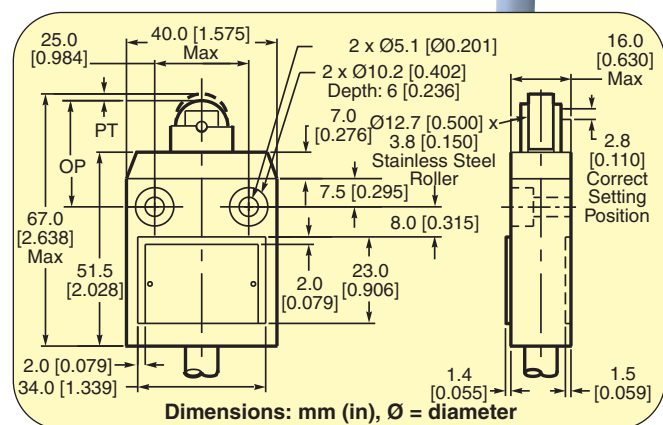
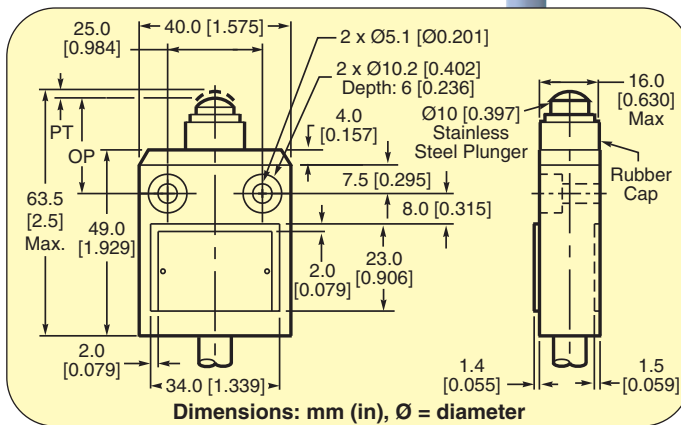
MODEL NO.	ACTUATOR TYPE	OPERATING FORCE (MAXIMUM)	RESET FORCE (MINIMUM)	OVERTRAVEL (MINIMUM)	PRETRAVEL	MOVEMENT DIFFERENTIAL	OPERATING POSITION
E47BCC06	Sealed Plunger	1.8 kg (63.5 oz)	450 g (15.9 oz)	3 mm (0.118")	1.8 mm (0.07")	0.2 mm (0.008")	24.9 ± 1 mm (0.99 ± 0.04")
E47BCC07	Roller Plunger	1.2 kg (42.3 oz)	450 g (15.9 oz)	3 mm (0.118")	1.8 mm (0.07")	0.2 mm (0.008")	28.5 ± 1 mm (1.12 ± 0.04")
E47BCC15	Roller Lever	580 g (20.5 oz)	150 g (5.3 oz)	40°	25° max	3°	—



E47BCC06, \$81



E47BCC07, \$79



### To Order (Specify Model Number)

ALL MODELS AVAILABLE FOR FAST DELIVERY!

MODEL NO.	PRICE	DESCRIPTION
E47BCC06	\$81	Pre-assembled, prewired, 1 NO/1 NC, sealed plunger
E47BCC07	79	Pre-assembled, prewired, 1 NO/1 NC, roller plunger
E47BCC15	98	Pre-assembled, prewired, 1 NO/1 NC, side-rotary lever

Comes complete with instruction sheet.

Ordering Example: E47BCC06, prewired, normally open/normally closed, sealed plunger limit switch, \$81.



#### UNITED STATES

[www.omega.com](http://www.omega.com)  
1-800-TC-OMEGA  
Stamford, CT.

#### CANADA

[www.omega.ca](http://www.omega.ca)  
Laval(Quebec)  
1-800-TC-OMEGA

#### GERMANY

[www.omega.de](http://www.omega.de)  
Deckenpfronn, Germany  
0800-8266342

#### UNITED KINGDOM

[www.omega.co.uk](http://www.omega.co.uk)  
Manchester, England  
0800-488-488

#### FRANCE

[www.omega.fr](http://www.omega.fr)  
Guyancourt, France  
088-466-342

#### CZECH REPUBLIC

[www.omegaeng.cz](http://www.omegaeng.cz)  
Karviná, Czech Republic  
596-311-899

#### BENELUX

[www.omega.nl](http://www.omega.nl)  
Amstelveen, NL  
0800-099-33-44



## More than 100,000 Products Available!

### • Temperature

Calibrators, Connectors, General Test and Measurement Instruments, Glass Bulb Thermometers, Handheld Instruments for Temperature Measurement, Ice Point References, Indicating Labels, Crayons, Cements and Lacquers, Infrared Temperature Measurement Instruments, Recorders Relative Humidity Measurement Instruments, RTD Probes, Elements and Assemblies, Temperature & Process Meters, Timers and Counters, Temperature and Process Controllers and Power Switching Devices, Thermistor Elements, Probes and Assemblies, Thermocouples Thermowells and Head and Well Assemblies, Transmitters, Wire

### • Flow and Level

Air Velocity Indicators, Doppler Flowmeters, Level Measurement, Magnetic Flowmeters, Mass Flowmeters, Pitot Tubes, Pumps, Rotameters, Turbine and Paddle Wheel Flowmeters, Ultrasonic Flowmeters, Valves, Variable Area Flowmeters, Vortex Shedding Flowmeters

### • pH and Conductivity

Conductivity Instrumentation, Dissolved Oxygen Instrumentation, Environmental Instrumentation, pH Electrodes and Instruments, Water and Soil Analysis Instrumentation

### • Data Acquisition

Auto-Dialers and Alarm Monitoring Systems, Communication Products and Converters, Data Acquisition and Analysis Software, Data Loggers Plug-in Cards, Signal Conditioners, USB, RS232, RS485 and Parallel Port Data Acquisition Systems, Wireless Transmitters and Receivers

### • Pressure, Strain and Force

Displacement Transducers, Dynamic Measurement Force Sensors, Instrumentation for Pressure and Strain Measurements, Load Cells, Pressure Gauges, Pressure Reference Section, Pressure Switches, Pressure Transducers, Proximity Transducers, Regulators, Strain Gages, Torque Transducers, Valves

### • Heaters

Band Heaters, Cartridge Heaters, Circulation Heaters, Comfort Heaters, Controllers, Meters and Switching Devices, Flexible Heaters, General Test and Measurement Instruments, Heater Hook-up Wire, Heating Cable Systems, Immersion Heaters, Process Air and Duct, Heaters, Radiant Heaters, Strip Heaters, Tubular Heaters