



PHOTOELECTRIC SENSORS

THE WORLD'S MOST RUGGED AND BEST SEALED PHOTOELECTRIC SENSORS

E58 Series
Starts at
\$266

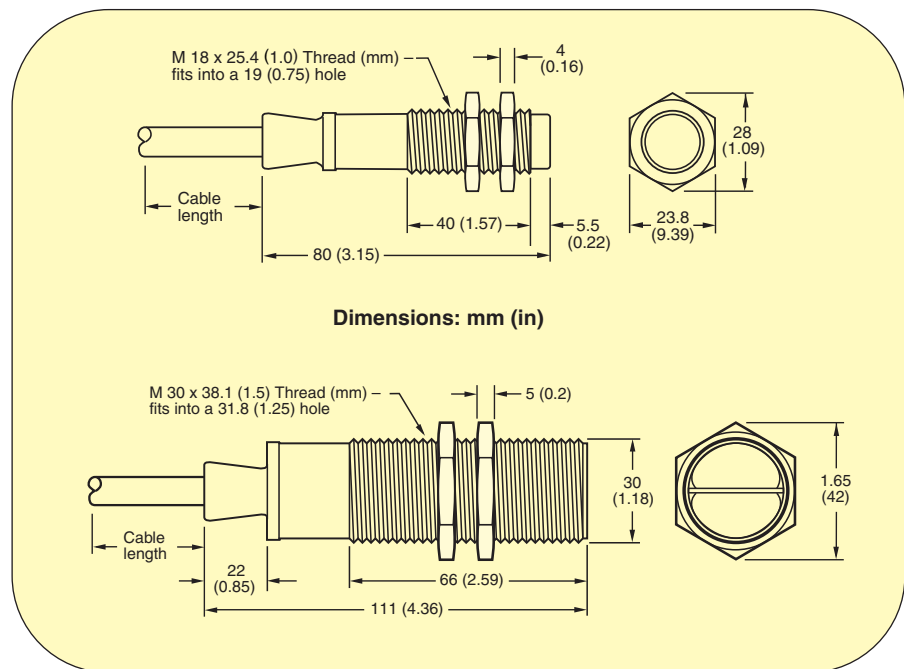


- Tempered Glass Lens Cover Protects Against Abrasion
- Output Indicator is Visible for Full 360°
- All Models Have Visible Red Beam
- Sensors are Available in 18 and 30 mm (0.71 and 1.30") Diameters
- Highly Refined Optics for Long Sensing Ranges and to See Through High Levels of Contamination—Unmatched Optical Performance
- Perfect Prox® Technology Provides Exceptional Background Rejection and Extremely High Excess Gain
- Resistant to the Wide Range of Chemicals Used in the Automotive, Manufacturing and Forest Products Industries
- Suitable for High Temperature, High Pressure Washdown 83 bar (1200 psi)
- Mechanical FKM Seals Hold up to Extreme Temperature Variations
- Visible Sensing Beam On All Models Lets You See Where the Beam is Aimed for Quick Setup and Alignment
- Output Status Indicator is the Brightest Available and is Visible from Any Angle and in Any Lighting Condition
- The Industry's Only Background Rejection Sensors with 2-Wire Circuit Design
- Models Available with Both AC and DC Operation in a Single Unit

E58-30TD250-GD, \$362, shown smaller than actual size.



E58-30TS250-GA, \$312, shown smaller than actual size.



The Cutler-Hammer® E58 Harsh Duty Series by Eaton's electrical business was designed to withstand your harshest physical, chemical and optical environments.

Extensive research dictated the choice of materials used in this sensor. Stainless steel, PVDF and tempered glass components are mechanically assembled using FKM seals to ensure complete sealing and resistance to industry chemicals. All adhesives and potting subject to failure from chemical attack have been eliminated from the design. The result is a sensor highly resistant to chemical attack and moisture intrusion, that can withstand heavy shock and vibration in almost any application.

E58 harsh duty sensors feature unparalleled optical performance. They are ideal for

automotive applications where exposure to lubricants, cutting fluids, coolants and glycols is common.

SPECIFICATIONS

4-WIRE MODELS

Input Voltage: See "To Order" table

Power Dissipation: 3 W maximum

Output Type 4-Wire:

AC Operation: VMOS (bi-directional)

DC Operation: NPN (sink)

Current Switching 4-Wire:

300 mA max

Voltage Switching 4-Wire:

186V peak maximum

Off-State Leakage: 250 uA typical

500 uA maximum

Surge Current: 2 A maximum

On-State Voltage Drop:

DC Operation (only): 1.8V @ 10 mA;

4.0V @ 300 mA

Response Time:**AC Operation:** 10 mS**DC Operation:** 2 mS**Short Circuit Protection:** Sensor will turn off immediately when a short of overload is detected (indicator LED will flash); turn power OFF and back ON to reset; sensor will reset when short is removed**Operation/Storage Temperature:**

-40 to 55°C (-40 to 131°F)

2-WIRE MODELS**Input Voltage:** See "To Order" table**Power Dissipation:** 3 W maximum**Output Type 2-Wire:****18 mm:** DMOS/bipolar**30 mm:** DMOS**Current Switching 2-Wire:****18 mm:** 100 mA**30 mm:** 300 mA**Voltage Switching 2-Wire:****AC Operation:** 186V peak maximum**DC Operation:** 50 Vdc maximum**Off-State Leakage:****AC Operation:** 1.7 mA maximum**DC Operation:****18 mm:** 1.7 mA max**30 mm:** 1.5 mA max**Surge Current:****AC Operation:** 1 A AC**DC Operation:** 1 A DC**On-State Voltage Drop:****AC Operation:** 10 Vac rms**DC Operation:****18 mm:** 10 Vdc**30 mm:** 8 Vdc**Response Time:** 35 mS**Short Circuit Protection:** Auto reset**Operation/Storage Temperature:****18 mm:** -40 to 70°C (-40 to 158°F)**30 mm:** -25 to 55°C (-10 to 131°F)**COMMON SPECIFICATIONS****ENCLOSURE MATERIALS****Cable Jacket:** PVC (poly vinyl chloride)**Indicator Ring:** PVDF (high density fluorinated polymer)**Seals:** FKM (registered trademark of Dupont)**Lens Cover:****Thru-Beam and Perfect****Prox Models:** Tempered glass**Polarized Reflex Models:** Glass**Body:** 303 SS**Vibration:** 30 g over 20 Hz to 2 kHz**Shock:** 100 g for 3 mS ½ sinewave pulse**Indicator LED:****Thru-Beam Source:** Lights when power is ON**All Other Models:** Lights steady when output is ON, flashes when short circuit protection is in latched condition (except 2-wire models)**Sunlight Immunity:****Perfect Prox:** 5000 foot-candles**Others:** 10,000 foot-candles**Enclosure Ratings:** NEMA 1, 2, 3, 3R, 4, 4X, 6, 6P, 12, 12K, and 13 (IP65)**Washdown:** This product is suitable for high temperature, high pressure washdown 83 bar (1200 psi)**Chemical Resistance:** This product was designed to withstand chemicals commonly used in automotive, machine tool, food processing, and forest industries**Thru-Beam and Reflex Sensors, 3- and 4-Wire Sensors****To Order (Specify Model Number)**

SIZE/TYPE	MODEL NO.	PRICE	OPERATING VOLTAGE	SENSING RANGE	OPTIMUM RANGE	FIELD OF VIEW	THRU-BEAM COMPONENT	CONN. TYPE	LIGHT OPERATE	DARK OPERATE
30 mm Thru-Beam	E58-30TS250-GA	\$312	20 to 132 Vac 50/60 Hz or 15 to 30 Vdc	250 m (800')	0.03 to 90 m (0.1 to 300')	830 mm (33") Dia. @ 7.6 m (25')	Source	2 m Cable	Y	Y
30 mm Thru-Beam	E58-30TD250-GD	362	20 to 132 Vac 50/60 Hz or 15 to 30 Vdc	250 m (800')	0.03 to 90 m (0.1 to 300')	830 mm (33") Dia. @ 7.6 m (25')	Detector	2 m Cable	N	Y
30 mm Polarized Reflex	E58-30RP10-GD	394	20 to 132 Vac 50/60 Hz or 15 to 30 Vdc	10 m (34')	0.03 to 6 m (0.1 to 20')	150 mm (6") Dia. @ 6 m (20')	—	2 m Cable	N	Y

Ordering Example: E58-30RP10-GD, 30 mm polarized reflex sensor with 2 m cable, \$394.**AVAILABLE FOR FAST DELIVERY!****Perfect Prox® Background Rejection Sensors, 2-Wire Sensors****To Order (Specify Model Number)**

SIZE/TYPE	MODEL NO.	PRICE	OPERATING VOLTAGE	NOMINAL RANGE ¹	OPTIMUM RANGE	CUT OFF RANGE ²	FIELD OF VIEW	CONN. TYPE	LIGHT OPERATE	DARK OPERATE
18 mm Perfect Prox	E58-18DP100-EL	\$266	90 to 132 Vac 50/60 Hz or 18 to 50 Vdc	100 mm (4")	13 to 76 mm (0.5 to 3")	127 mm (5") and beyond	10 mm (0.38") Dia. @ 100 mm (4")	2 m Cable	Y	N
30 mm Perfect Prox	E58-30DPS280-EL	362	90 to 132 Vac 50/60 Hz or 18 to 50 Vdc	280 mm (11")	28 to 228 mm (1 to 9")	318 mm (12.5")	26 mm (1") Dia. @ 280 mm (11")	2 m Cable	Y	N

¹ Sensor will detect 90% reflectance card at this range.² Sensor will ignore 90% reflectance card at this range.**Ordering Example:** E58-18DP100-EL, 18 mm diameter perfect prox reflex with 2 m cable, \$266.**AVAILABLE FOR FAST DELIVERY!****Accessories**

MODEL NO.	PRICE	DESCRIPTION
E57KM18	\$9.90	Bracket for 18 mm (0.71") tubular sensors
E58KAM18B	20.75	Bracket, adjustable ball swivel for 18 mm (0.71") tubular sensors
E57KM30	13.00	Bracket for 30 mm (1.30") tubular sensors
6200A-6504	6.00	Reflector, 32 mm (1.25") diameter with adhesive back, 2 to 3 K reflectivity
6200A-6505	6.50	Reflector, 55 mm (2.18") diameter with mounting hole, 2 to 3 K reflectivity
E51KR84	7.60	Reflector, 76 mm (3") diameter with mounting hole, 10 K reflectivity



UNITED STATES

www.omega.com
1-800-TC-OMEGA
Stamford, CT.

CANADA

www.omega.ca
Laval(Quebec)
1-800-TC-OMEGA

GERMANY

www.omega.de
Deckenpfronn, Germany
0800-8266342

UNITED KINGDOM

www.omega.co.uk
Manchester, England
0800-488-488

FRANCE

www.omega.fr
Guyancourt, France
088-466-342

CZECH REPUBLIC

www.omegaeng.cz
Karviná, Czech Republic
596-311-899

BENELUX

www.omega.nl
Amstelveen, NL
0800-099-33-44



More than 100,000 Products Available!

• Temperature

Calibrators, Connectors, General Test and Measurement Instruments, Glass Bulb Thermometers, Handheld Instruments for Temperature Measurement, Ice Point References, Indicating Labels, Crayons, Cements and Lacquers, Infrared Temperature Measurement Instruments, Recorders Relative Humidity Measurement Instruments, RTD Probes, Elements and Assemblies, Temperature & Process Meters, Timers and Counters, Temperature and Process Controllers and Power Switching Devices, Thermistor Elements, Probes and Assemblies, Thermocouples Thermowells and Head and Well Assemblies, Transmitters, Wire

• Flow and Level

Air Velocity Indicators, Doppler Flowmeters, Level Measurement, Magnetic Flowmeters, Mass Flowmeters, Pitot Tubes, Pumps, Rotameters, Turbine and Paddle Wheel Flowmeters, Ultrasonic Flowmeters, Valves, Variable Area Flowmeters, Vortex Shedding Flowmeters

• pH and Conductivity

Conductivity Instrumentation, Dissolved Oxygen Instrumentation, Environmental Instrumentation, pH Electrodes and Instruments, Water and Soil Analysis Instrumentation

• Data Acquisition

Auto-Dialers and Alarm Monitoring Systems, Communication Products and Converters, Data Acquisition and Analysis Software, Data Loggers Plug-in Cards, Signal Conditioners, USB, RS232, RS485 and Parallel Port Data Acquisition Systems, Wireless Transmitters and Receivers

• Pressure, Strain and Force

Displacement Transducers, Dynamic Measurement Force Sensors, Instrumentation for Pressure and Strain Measurements, Load Cells, Pressure Gauges, Pressure Reference Section, Pressure Switches, Pressure Transducers, Proximity Transducers, Regulators, Strain Gages, Torque Transducers, Valves

• Heaters

Band Heaters, Cartridge Heaters, Circulation Heaters, Comfort Heaters, Controllers, Meters and Switching Devices, Flexible Heaters, General Test and Measurement Instruments, Heater Hook-up Wire, Heating Cable Systems, Immersion Heaters, Process Air and Duct, Heaters, Radiant Heaters, Strip Heaters, Tubular Heaters