

# ELC GRAPHIC PANELS

ELC-GP  
Starts at  
**\$281**



## PROTOCOLS SUPPORTED

- Eaton D50/D32LT, D320
  - Eaton ELC
  - Eaton MVX ASCII
  - Eaton MVX RTU
  - MODBUS ASCII
  - MODBUS RTU
  - AB DF1
  - Mitsubishi FX Series
  - Mitsubishi FX2N Series
  - Koyo K-Sequence
  - LG 200S
  - OMRON C-Series
  - Siemens 57-200 Series
  - ASCII Slave Mode
- And More!*

ELC graphic panels are simple to program and easily connect to ELC products. ELC graphic panels make modifying an application quick and easy, connecting to a variety of devices such as Cutler-Hammer® MVX drives, IQ MODBUS meters and others. With over 30 objects that can be placed anywhere on the display, these tough panels also communicate to other major controllers through 2 serial ports which can be used simultaneously. Transfer applications to or from these graphic panels using the handy transfer module. Ten programmable function keys allow the user to view easy-to-change pages, input numeric values, enter alpha-numeric passwords, set, reset, create alarms, password protect, import bitmaps and use many different fonts. With the ELC's two communications ports, it can handle any networking task. Its small size allows for reduced panel dimensions and saves valuable machine space.



ELC-GP02, \$281, shown smaller than actual size.



ELC-GP04, \$420, shown smaller than actual size.

## ELCSOFTGP Programming Software

The ELCSOFTGP programming software allows you to configure the ELC graphic panels on a PC, then transfer the program to the graphic panel. With ELCSOFTGP, applications can be created, edited, downloaded, uploaded, and much more. The ELCSOFTGP software also allows the user to move programs from 1 controller to another with ease. The software is compatible with Windows 98/ME/2000/XP operating systems.

## STANDARDS AND CERTIFICATIONS

### ELECTRICAL/EMC

**Electrostatic Discharge Immunity:**  
EN61000-4-2/1995

**Radiated Immunity:** EN61000-4-3/1995

**Electrical Fast Transient:**  
EN61000-4-4/1995

**Radiated Emission:** CISPR22, Class A

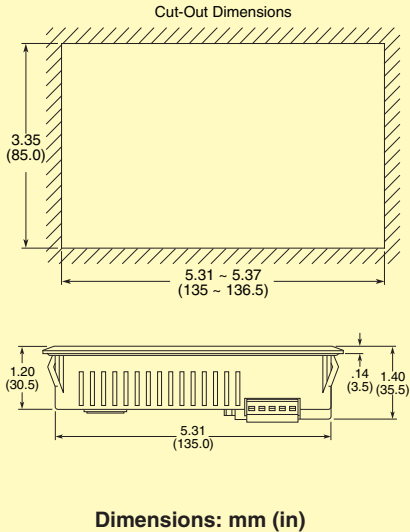
### OTHER APPROVALS

**Waterproof Class of Front Panel:**

NEMA 4 (IP65); NEMA 4X outdoor rated

**Agency Certifications:** UL 508, cUL (CSA C22.2 No. 14), CE (low-voltage directive) Class 1 Div 2

### ELC-GP02 and ELC-GP04 Dimensions



### ENVIRONMENTAL RATINGS/SPECIFICATIONS

#### Transportation and Storage

**Temperature:** -20 to 60°C (-4 to 140°F)

**Operating Temperature:**

0 to 50°C (32 to 122°F)

**Humidity:** 20 to 90% RH (non-condensing)

#### Communication Interface:

**COM1:** RS232

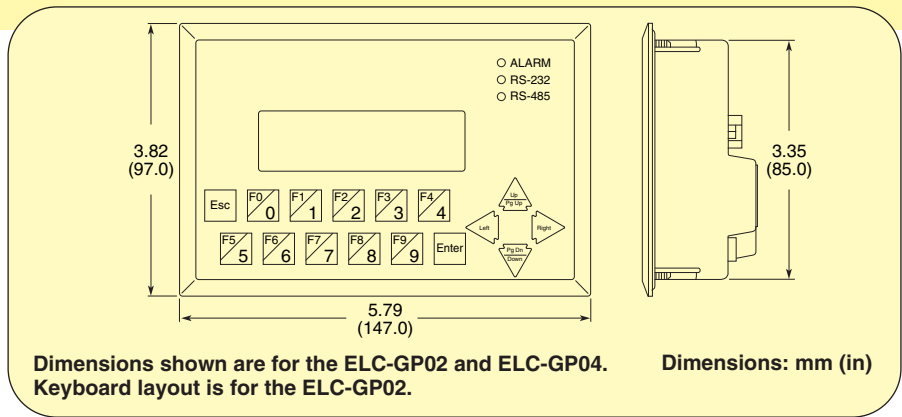
**COM2:** RS485/RS422

**Vibration:** 0.5 mm displacement, 10 to 55 Hz; from X, Y, Z, 3 directions and 2 hours for each direction

**Impact:** 10G, 11 mS; from X, Y, Z, 3 directions and 3 times for each direction

**Weight:** 0.24 kg (0.53 lb)

**Cooling Method:** Natural air cooling



### FEATURES

ITEM	ELC-GP02	ELC-GP04
<b>DISPLAY SCREEN</b>		
Screen	STN-LCD	
Color	Monochromatic	
Back-Light	The back-light automatic turn off time is 1 to 99 min; (0 = do not to turn off); back-light life is 50 thousand hours at 25°C	
Resolution	160 x 32 pixels	128 x 64 pixels
Display Range	72 mm W x 22 mm H	67mm W x 32 mm H; 3" (diagonal preferred)
Contrast Adjustment	15-step contrast adjustment	10-step contrast adjustment
Language Font	ASCII: Characters (including European fonts) Taiwan: (BIG 5 code), traditional Chinese character font China: (GB2324-80 code), simplified Chinese character font	
Font Size (ASCII)	5 x 8, 8 x 8, 8 x 12, 8 x 16	
Alarm Indication LED	1. Power on indication (flashes three times) 2. Flash for communication error or other alarm 3. Special indication by user programming	
RS232 LED (Yellow)	Flashes when communicating	
RS485 LED (Green)	Flashes when communicating	
<b>PROGRAM MEMORY</b>		
Program Memory	256 KB flash memory	
<b>EXTERNAL INTERFACE</b>		
Serial Communication Port RS-232 (COM1) 9-PIN D-SUB (Male)	Data length: 7 or 8 bits; Stop bits: 1 or 2 bits Parity: None/odd/even Baud rate: 4800 bps to 115,200 bps	
Extension Communication Port RS-485 (COM2) 5-Pin Removal Terminal RS485 or RS422	Data length: 7 or 8 bits Stop bits: 1 or 2 bits Parity: None/odd/rven Baud rate: 4800 bps to 115,200 bps	
Extension Slot	The slot for program copy card	
Power	24 Vdc input	

### To Order (Specify Model Number)

**IN STOCK FOR FAST DELIVERY!**

MODEL NO.	PRICE	DESCRIPTION
ELC-GP02	\$281	160 x 32 pixels, 10 function keys, monochrome
ELC-GP04	420	128 x 64 pixels, 10 function keys, monochrome

Ordering Example: ELC-GP04, graphic panel, 128 x 64 pixels, \$420.

### ACCESSORIES

MODEL NO.	PRICE	DESCRIPTION
ELC-CBPCELC3	\$46	Cable to connect ELC-GP to an ELC controller or PC, 3 m (9.8')
ELCSOFTGP	289	Programming software for GP units
ELC-GPXFERMOD	143	Program transfer module

Ordering Example: ELCSOFTGP, programming software, ELC-CBPCELC3, cable, \$289 + 46 = \$335.



#### UNITED STATES

[www.omega.com](http://www.omega.com)  
1-800-TC-OMEGA  
Stamford, CT.

#### CANADA

[www.omega.ca](http://www.omega.ca)  
Laval(Quebec)  
1-800-TC-OMEGA

#### GERMANY

[www.omega.de](http://www.omega.de)  
Deckenpfronn, Germany  
0800-8266342

#### UNITED KINGDOM

[www.omega.co.uk](http://www.omega.co.uk)  
Manchester, England  
0800-488-488

#### FRANCE

[www.omega.fr](http://www.omega.fr)  
Guyancourt, France  
088-466-342

#### CZECH REPUBLIC

[www.omegaeng.cz](http://www.omegaeng.cz)  
Karviná, Czech Republic  
596-311-899

#### BENELUX

[www.omega.nl](http://www.omega.nl)  
Amstelveen, NL  
0800-099-33-44



## More than 100,000 Products Available!

### • Temperature

Calibrators, Connectors, General Test and Measurement Instruments, Glass Bulb Thermometers, Handheld Instruments for Temperature Measurement, Ice Point References, Indicating Labels, Crayons, Cements and Lacquers, Infrared Temperature Measurement Instruments, Recorders Relative Humidity Measurement Instruments, RTD Probes, Elements and Assemblies, Temperature & Process Meters, Timers and Counters, Temperature and Process Controllers and Power Switching Devices, Thermistor Elements, Probes and Assemblies, Thermocouples Thermowells and Head and Well Assemblies, Transmitters, Wire

### • Flow and Level

Air Velocity Indicators, Doppler Flowmeters, Level Measurement, Magnetic Flowmeters, Mass Flowmeters, Pitot Tubes, Pumps, Rotameters, Turbine and Paddle Wheel Flowmeters, Ultrasonic Flowmeters, Valves, Variable Area Flowmeters, Vortex Shedding Flowmeters

### • pH and Conductivity

Conductivity Instrumentation, Dissolved Oxygen Instrumentation, Environmental Instrumentation, pH Electrodes and Instruments, Water and Soil Analysis Instrumentation

### • Data Acquisition

Auto-Dialers and Alarm Monitoring Systems, Communication Products and Converters, Data Acquisition and Analysis Software, Data Loggers Plug-in Cards, Signal Conditioners, USB, RS232, RS485 and Parallel Port Data Acquisition Systems, Wireless Transmitters and Receivers

### • Pressure, Strain and Force

Displacement Transducers, Dynamic Measurement Force Sensors, Instrumentation for Pressure and Strain Measurements, Load Cells, Pressure Gauges, Pressure Reference Section, Pressure Switches, Pressure Transducers, Proximity Transducers, Regulators, Strain Gages, Torque Transducers, Valves

### • Heaters

Band Heaters, Cartridge Heaters, Circulation Heaters, Comfort Heaters, Controllers, Meters and Switching Devices, Flexible Heaters, General Test and Measurement Instruments, Heater Hook-up Wire, Heating Cable Systems, Immersion Heaters, Process Air and Duct, Heaters, Radiant Heaters, Strip Heaters, Tubular Heaters