

ELECTRONIC HYGROTHERM

NEW

ETF012 Series
\$90
 All Models



- Temperature and Humidity Adjustable
- Optical Operating Display (LED)
- High Switching Capacity
- Clip Fixing

The electronic hygrotherm senses the ambient temperature and relative humidity in an enclosure with electric/electronic components, and turns on a heater (or alternatively, a fan) at either set point, helping prevent the formation of condensation in the enclosure. The LED integrated in the adjustment knob on the active controller is lit when the connected device is in operation.

SPECIFICATIONS

Switch Difference (Temperature): 2K (± 1 K tolerance) at 25°C (77°F) (50% RH)

Switch Difference (Humidity): 4% RH ($\pm 1\%$ tolerance) at 25°C (77°F) (50% RH)

Reaction Time (Humidity): Approximately 5 sec

Contact Type: Change-over contact (relay)

Contact Resistance: < 10 m Ω

Service Life:

NC: $> 50,000$ cycles

NO: $> 100,000$ cycles

Max Switching Capacity: 24 Vdc, 4 A

Relay NC: 240 Vac, 6 (1) A output

Relay NO: 240 Vac, 8 (1.6) A output

NC: 120 Vac, 6 (1) A

NO: 120 Vac, 8 (1.6) A

EMC: Acc. to EN 55014-1-2, EN 61000-3-2, EN 61000-3-3

Optical Indicator: LED

Connection: 5-pole terminal, clamping torque 0.5Nm max; rigid wire 2.5 mm² (0.10 in²) stranded wire (with wire end ferrule) 1.5 mm² (0.06 in²)

Mounting: Clip for 35 mm (1.4") DIN rail, EN50022

Casing: Plastic according to UL94 V-0, light gray

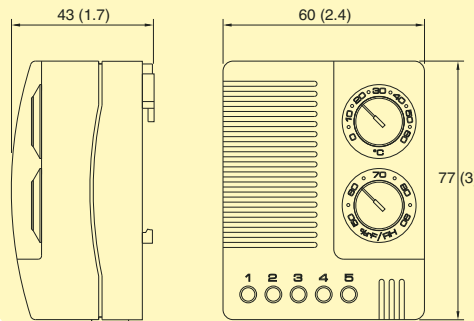
Dimensions: 77 x 60 x 43 mm (3.0 x 2.4 x 1.7")

Weight: Approx. 0.20 kg (7.1 oz)

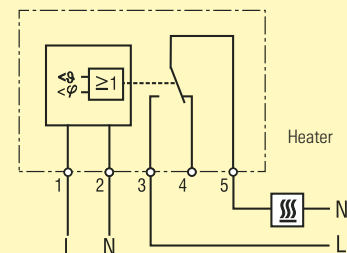


ETF01201230901, \$90, shown larger than actual size.

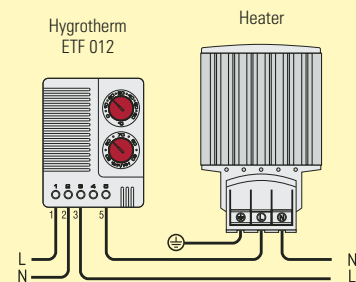
Dimensions:
mm (in)



Connection diagram



Example of connection



Fitting Position: Vertical

Operating Temperature: 0 to 60°C (32 to 140°F)

Storage Temperature: -20 to 80°C (-4 to 176°F)

Protection Type: NEMA 2 (IP20)

To Order (Specify Model Number)

AVAILABLE FOR FAST DELIVERY!

MODEL NO.	PRICE	DESCRIPTION
ETF01201230900	\$90	Humidity and °F temp control, SPDT, 32 to 140°F, 50 to 90% RH, 120 Vac
ETF01201230901	90	Humidity and °C temp control, SPDT, 0 to 60°C, 50 to 90% RH, 120 Vac

Ordering Examples: ETF01201230900, electronic hygrotherm, \$90. ETF01201230901, electronic hygrotherm, \$90.



UNITED STATES

www.omega.com
1-800-TC-OMEGA
Stamford, CT.

CANADA

www.omega.ca
Laval(Quebec)
1-800-TC-OMEGA

GERMANY

www.omega.de
Deckenpfronn, Germany
0800-8266342

UNITED KINGDOM

www.omega.co.uk
Manchester, England
0800-488-488

FRANCE

www.omega.fr
Guyancourt, France
088-466-342

CZECH REPUBLIC

www.omegaeng.cz
Karviná, Czech Republic
596-311-899

BENELUX

www.omega.nl
Amstelveen, NL
0800-099-33-44



More than 100,000 Products Available!

• Temperature

Calibrators, Connectors, General Test and Measurement Instruments, Glass Bulb Thermometers, Handheld Instruments for Temperature Measurement, Ice Point References, Indicating Labels, Crayons, Cements and Lacquers, Infrared Temperature Measurement Instruments, Recorders Relative Humidity Measurement Instruments, RTD Probes, Elements and Assemblies, Temperature & Process Meters, Timers and Counters, Temperature and Process Controllers and Power Switching Devices, Thermistor Elements, Probes and Assemblies, Thermocouples Thermowells and Head and Well Assemblies, Transmitters, Wire

• Flow and Level

Air Velocity Indicators, Doppler Flowmeters, Level Measurement, Magnetic Flowmeters, Mass Flowmeters, Pitot Tubes, Pumps, Rotameters, Turbine and Paddle Wheel Flowmeters, Ultrasonic Flowmeters, Valves, Variable Area Flowmeters, Vortex Shedding Flowmeters

• pH and Conductivity

Conductivity Instrumentation, Dissolved Oxygen Instrumentation, Environmental Instrumentation, pH Electrodes and Instruments, Water and Soil Analysis Instrumentation

• Data Acquisition

Auto-Dialers and Alarm Monitoring Systems, Communication Products and Converters, Data Acquisition and Analysis Software, Data Loggers Plug-in Cards, Signal Conditioners, USB, RS232, RS485 and Parallel Port Data Acquisition Systems, Wireless Transmitters and Receivers

• Pressure, Strain and Force

Displacement Transducers, Dynamic Measurement Force Sensors, Instrumentation for Pressure and Strain Measurements, Load Cells, Pressure Gauges, Pressure Reference Section, Pressure Switches, Pressure Transducers, Proximity Transducers, Regulators, Strain Gages, Torque Transducers, Valves

• Heaters

Band Heaters, Cartridge Heaters, Circulation Heaters, Comfort Heaters, Controllers, Meters and Switching Devices, Flexible Heaters, General Test and Measurement Instruments, Heater Hook-up Wire, Heating Cable Systems, Immersion Heaters, Process Air and Duct, Heaters, Radiant Heaters, Strip Heaters, Tubular Heaters