

TAMPERPROOF THERMOSTAT

NEW

FT011 and
FTD011 Series
Starts at
\$13



- Fixed Setpoint
- Compact Design
- Color Coded Modules
- DIN Rail Mountable
- Two Thermostats in One Unit for the Dual Models: One Normally Closed (NC) and One Normally Open (NO) or Two Normally Open (NO)



FT01101160000, \$13,
and FTD01101161002,
\$13, shown larger than
actual size.



Specifications are subject to change without notice. Suitability of this product for its intended use and any associated risks must be determined by the end customer/buyer in its final application.

Normally Closed:

Thermostat opens at temperature rise.
Comes with a red module.

Normally Open:

Thermostat closes at temperature rise.
Comes with a blue module.

SPECIFICATIONS

Sensor Element: Thermostatic bi-metal

Maximum Tolerance: $\pm 5.4^{\circ}\text{F}$ (3K)

Contact Resistance: $< 20\ \text{m}\Omega$

Service Life: $> 100,000$ cycles

Service Life: 5 A resistive/1.6 A inductive @ 240 Vac; DC 30 W

Minimum Load: 20 mA (all voltages)

EMI/EMC Compliance: EN 55014-1-2, EN 61000-3-2, EN 61000-3-3

Connections: 2-pole terminal for AWG 14 max [2.5 mm² (0.1 in²)] 4-pole terminal for the dual model AWG 14
Mounting: Clip for 35 mm (1.4") DIN rail (EN 50022)

Dimensions: 47 H x 33 W x 33 mm D (1.85 x 1.3 x 1.3")

Housing: Plastic, UL94V-0

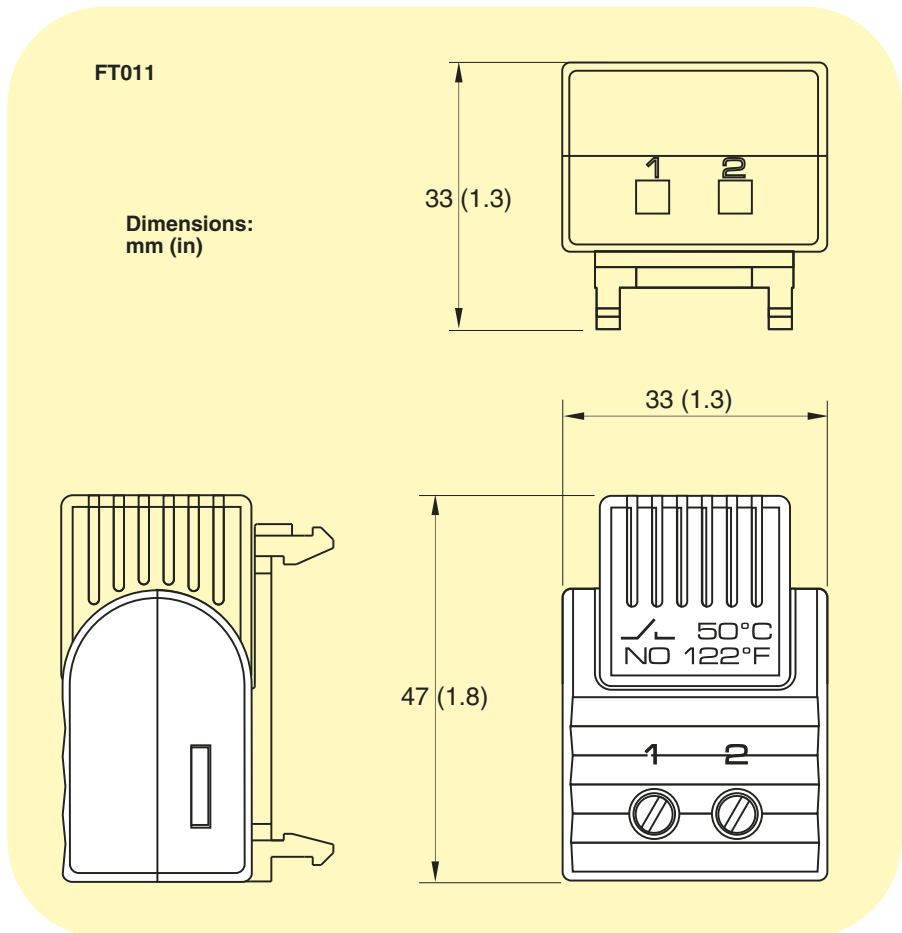
Weight: 23 g (0.8 oz), dual 40 g (14.1 oz)

Protection Type: NEMA 2 (IP20)

Operating Temperature: -20 to 80°C (-4 to 176°F)

Storage Temperature: -45 to 80°C (-49 to 176°F)

Agency Approvals: UL & VDE Intended

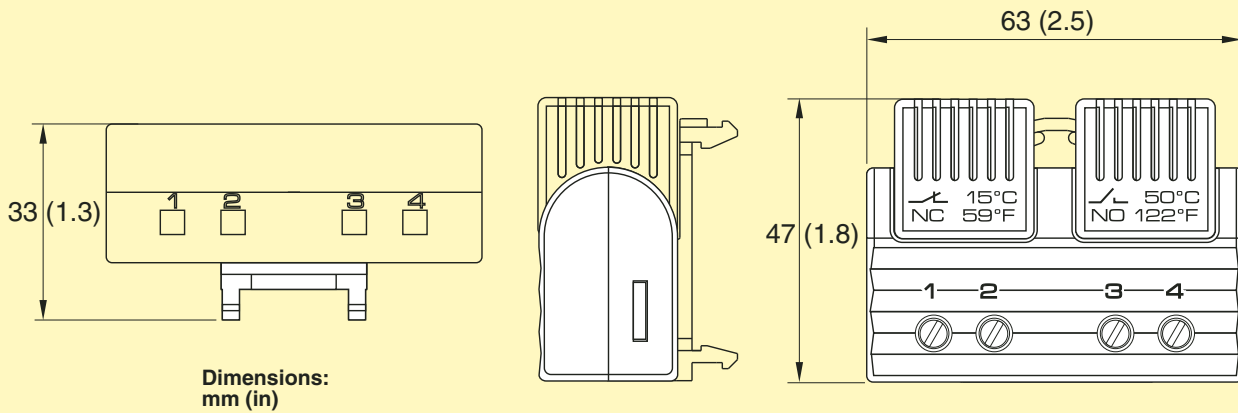
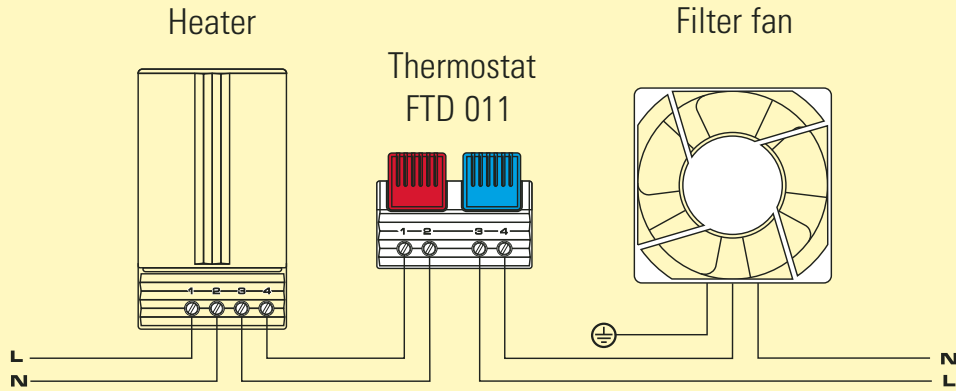


NEW



FT01101163000, dual thermostat fixed point, \$25, shown larger than actual size.

FTD011 Wiring Examples



Dimensions:
mm (in)

To Order (Specify Model Number)

MOST POPULAR MODELS HIGHLIGHTED!

MODEL NO.	PRICE	DESCRIPTION
FT01101160000	\$13	Thermostat, fixed point, NC, 15°C (59°F) open/5°C (41°F) close
FT01101160001	13	Thermostat, fixed point, NC, 25°C (77°F) open/15°C (59°F) close
FT01101161002	13	Thermostat, fixed point, NO, 35°C (95°F) close/25°C (77°F) open
FTD01101163000	25	Dual thermostat, fixed point, NC 15°C (59°F) open/5°C (41°F) close, NO 50°C (122°F) close/40°C (104°F) open

Comes complete with operator's manual.

Ordering Examples: FT01101160000, thermostat, fixed point, NC, 15°C (59°F) open/5°C (41°F) close, \$13. FT01101160001, thermostat, fixed point, \$13.



UNITED STATES

www.omega.com
1-800-TC-OMEGA
Stamford, CT.

CANADA

www.omega.ca
Laval(Quebec)
1-800-TC-OMEGA

GERMANY

www.omega.de
Deckenpfronn, Germany
0800-8266342

UNITED KINGDOM

www.omega.co.uk
Manchester, England
0800-488-488

FRANCE

www.omega.fr
Guyancourt, France
088-466-342

CZECH REPUBLIC

www.omegaeng.cz
Karviná, Czech Republic
596-311-899

BENELUX

www.omega.nl
Amstelveen, NL
0800-099-33-44



More than 100,000 Products Available!

• Temperature

Calibrators, Connectors, General Test and Measurement Instruments, Glass Bulb Thermometers, Handheld Instruments for Temperature Measurement, Ice Point References, Indicating Labels, Crayons, Cements and Lacquers, Infrared Temperature Measurement Instruments, Recorders Relative Humidity Measurement Instruments, RTD Probes, Elements and Assemblies, Temperature & Process Meters, Timers and Counters, Temperature and Process Controllers and Power Switching Devices, Thermistor Elements, Probes and Assemblies, Thermocouples Thermowells and Head and Well Assemblies, Transmitters, Wire

• Flow and Level

Air Velocity Indicators, Doppler Flowmeters, Level Measurement, Magnetic Flowmeters, Mass Flowmeters, Pitot Tubes, Pumps, Rotameters, Turbine and Paddle Wheel Flowmeters, Ultrasonic Flowmeters, Valves, Variable Area Flowmeters, Vortex Shedding Flowmeters

• pH and Conductivity

Conductivity Instrumentation, Dissolved Oxygen Instrumentation, Environmental Instrumentation, pH Electrodes and Instruments, Water and Soil Analysis Instrumentation

• Data Acquisition

Auto-Dialers and Alarm Monitoring Systems, Communication Products and Converters, Data Acquisition and Analysis Software, Data Loggers Plug-in Cards, Signal Conditioners, USB, RS232, RS485 and Parallel Port Data Acquisition Systems, Wireless Transmitters and Receivers

• Pressure, Strain and Force

Displacement Transducers, Dynamic Measurement Force Sensors, Instrumentation for Pressure and Strain Measurements, Load Cells, Pressure Gauges, Pressure Reference Section, Pressure Switches, Pressure Transducers, Proximity Transducers, Regulators, Strain Gages, Torque Transducers, Valves

• Heaters

Band Heaters, Cartridge Heaters, Circulation Heaters, Comfort Heaters, Controllers, Meters and Switching Devices, Flexible Heaters, General Test and Measurement Instruments, Heater Hook-up Wire, Heating Cable Systems, Immersion Heaters, Process Air and Duct, Heaters, Radiant Heaters, Strip Heaters, Tubular Heaters