



HMI OPERATOR INTERFACE

Starts at
\$265



- True Analog Touchscreen
- Retentive Internal Data Storage
- Real Time Trending
- Trend Stored Data
- Alarming and Alarm Storage
- Alarm Frequency
- Event Storage (History)
- USB Programming
- USB Memory Storage
- USB Printer
- Add I/O
- Macro Programming
- Multi-Language
- Recipe Storage
- Auto-Scale Application from 10 to 4"
- On-Line Simulation
- Off-Line Simulation
- 10-Level Password Protection

Today's marketplace is all about how you interface—with customers, suppliers and your machinery. Omega proudly offers a new and easy way to interface, HMI. Available in 4, 6, 8 and 10" models, HMI is a true analog touch screen operator interface with programmable function buttons for the most robust applications. With the ability to store recipes, historical and alarm data, or transfer that data to a USB memory stick, using HMI makes interfacing with your machinery easier than ever.

Your Application. Your HMI.

With features that allow you to customize the perfect operator interface for your application, HMI is the interface solution you want it to be. HMI models are available in either a blue mode, grayscale or color screen versions. It's an interface solution designed



HMI10CE, 10", \$1595, shown smaller than actual size.



HMI08CE, 8", \$995, shown smaller than actual size.



HMI06CE, 6", \$595, shown smaller than actual size.



HMI04BU, 4", \$265, shown smaller than actual size.

to complement your application needs. Because one application doesn't fit all, you can scale your applications to any size HMI device in a few keystrokes—from 4 to 6" to 8 to 10" and back. If you decide to upgrade or downsize your operator interface, the click of a button resizes your screen image to match another screen size. Once

you see the features of HMI, you'll agree it's the perfect interface device for machines built to different specifications and size requirements. With the ever present need to be connected to your machinery and processes, communications are more important than ever. So, with an expansive

driver list, 3 serial communication ports, HMI is the answer for communicating on virtually any network, including over 20 brands of PLCs currently on the market. An expansion slot on the back of the unit connects to a Ethernet network or even I/O modules, allowing you to do more with your operator interface than ever before.

HMI simplifies configuring application parameters with features and software that provide added capabilities and make monitoring your system intuitive.

HMI stores your entire application, including images, so editing won't require original source files. If your computer fails or years from now you need to edit the application, there's no need to track down old original source files. HMI is the source. Flexibility,

plus the security of password protection, makes HMI the perfect operator interface for any user. A feature called Picture Bank uploads/downloads images from HMI to a personal computer. Save pictures and use them in other documents, and easily upload pictures and applications to new HMI units. Its easy-to-use macro ability, with the strength to handle even the most complicated applications, allows HMI to help you manage your machine more efficiently than ever.



From simple math, storing and manipulating trends, data, and communications, to sending data from one PLC to another, macros make HMI the easiest interface on the market.

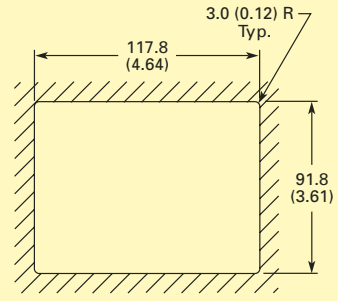
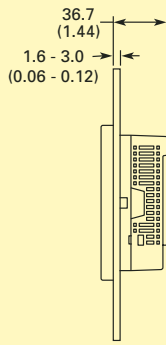
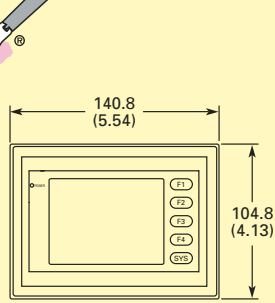


SPECIFICATIONS

MODEL	HMI04BU	HMI06BE	HMI06CE	HMI08CE	HMI10CE
Display Type	STN	STN	STN	TFT-LCD	
Display Color	8 Blues	8 Blues	256 Colors	65536 Colors	
Screen Pixels	320 x 240	320 x 240		640 x 480	
Back-Light Life	About 10,000 hours at 25°C	About 50,000 hours at 25°C			About 30,000 hours at 25°C
Display Size	78.8 x 59.6 mm (3.8")	118.2 x 89.4 mm (5.7")		162.2 x 121.7 mm (8.0")	215.2 x 162.4 mm (10.4")
Operation System	Real Time OS				
MCU	32-bit RISC Micro-controller/206.4 MHz				
Memory					
Program	1M	3M	3M	7M	7M
History	120K	360K	360K	360K	360K
Recipe	64K ²	128K	128K	128K	128K
Alarm	4K	16K	16K	16K	16K
Data Registers (Memory)					
Volatile	64K	64K	64K	64K	64K
Non-Volatile	1K	1K	1K	1K	1K
Backup Memory (Bytes)	128K			512K	512K
Ext. Memory	SM Card	✓	✓	✓	✓
	USB Disk	✓		✓	✓
Extension Interface		✓	✓	✓	✓
USB for Download (USB Client)	1 Client Ver. 1.1				
USB for Data Storage/Printer (USB Host)	✓			✓	✓
LCD Module (Back Light)	LED	CCFL	CCFL	CCFL	2CCFL
Safety Approval (Water-proof for Front Panel)	IP65/NEMA 4X/CE/UL/cUL/C-Tick				
Operating Temp.	0 to 50°C (32 to 122°F)				
Storage Temp.	-20 to 60°C (-4 to 140°F)				
Ambient Humidity	10 to 90% RH (0 to 40°C), 10 to 55% RH (41 to 50°C)				
Dimensions: mm (in) (W x H x D)	140.8 x 104.8 x 44.8 (5.54 x 4.13 x 1.76)	184.1 x 144.1 x 47 (7.25 x 5.67 x 1.85)		243.1 x 178.1 x 52.4 (9.57 x 7.01 x 2.06)	297.1 x 222.1 x 51.1 (11.70 x 8.74 x 2.01)
Weight: kg (lb)	0.315 (0.69)	0.768 (1.69)		1.147 (2.52)	1.721 (3.79)
Backup Battery	3 V Lithium Battery CR2032 x 1/Battery Life: 5 Years				
Buzzer	85dB				
Operation Voltage	DC +24V (10 to 20%) (Please use isolated power supply) ¹				
Wattage	2.64	7.2	7.2	14	15

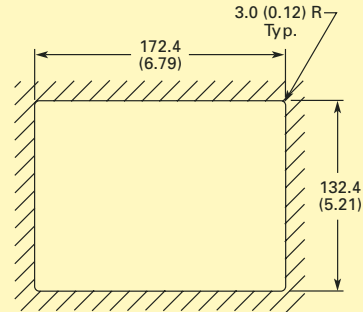
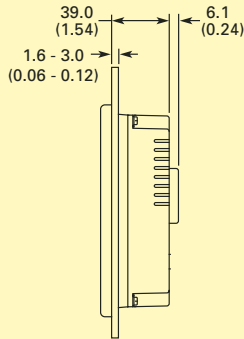
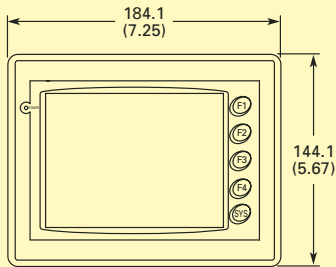
¹ Not applicable for HMI08CE and HMI10CE.

² Recipe memory uses program memory.



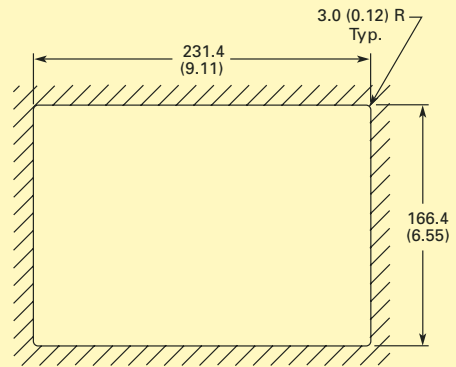
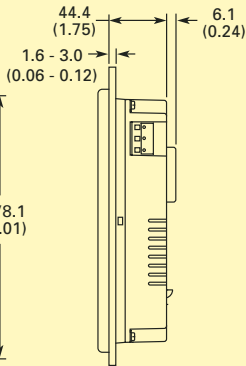
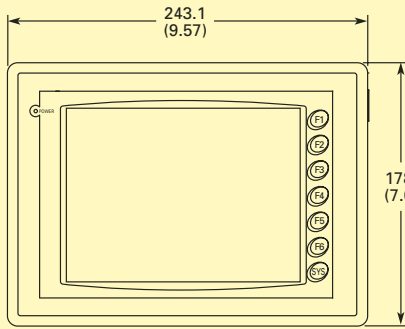
Cut-Out Dimensions

HMI06



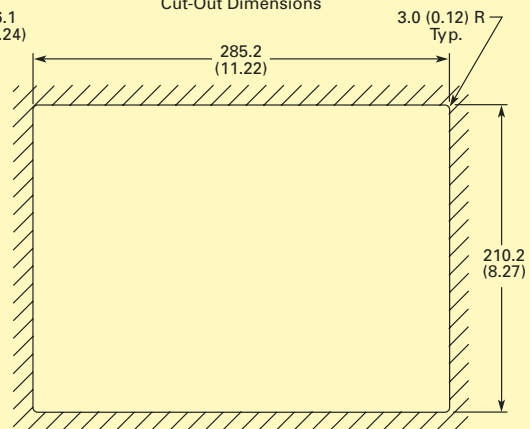
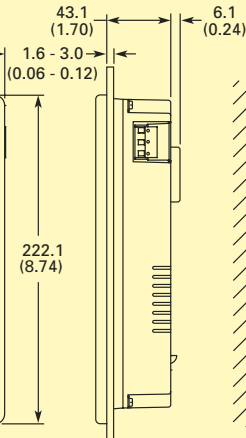
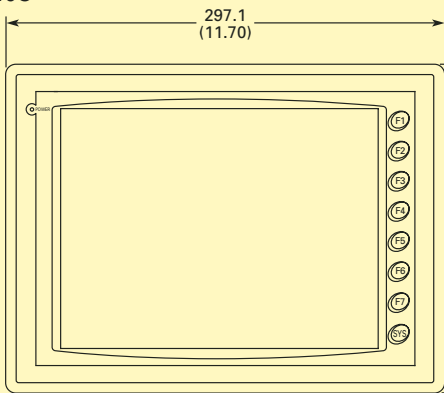
Cut-Out Dimensions

HMI08CE



Cut-Out Dimensions

HMI10C



Cut-Out Dimensions

Dimensions: mm (in)

To Order (Specify Model Number)

AVAILABLE FOR FAST DELIVERY!

MODEL NO.	PRICE	DESCRIPTION
HMI04BU	\$265	HMI 4" blue mode touchscreen
HMI06BE	365	HMI 6" blue mode with expansion slot
HMI06CE	595	HMI 6" color mode with expansion slot
HMI08CE	995	HMI 8" color mode with expansion slot
HMI10CE	1595	HMI 10" color mode with expansion slot

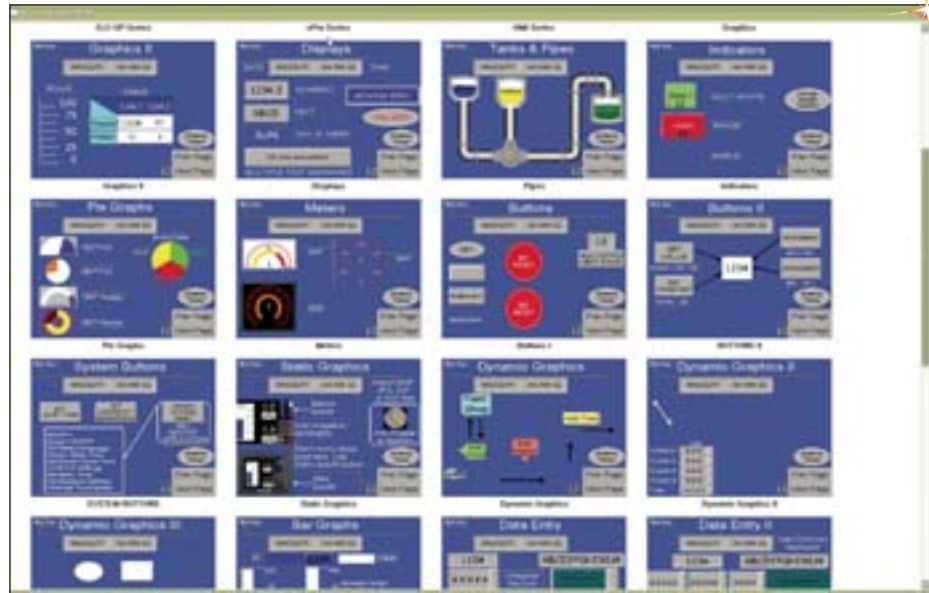
Ordering Example: HMI06BE, HMI 6" blue mode with expansion slot, \$365.

HMISOFT PROGRAMMING SOFTWARE

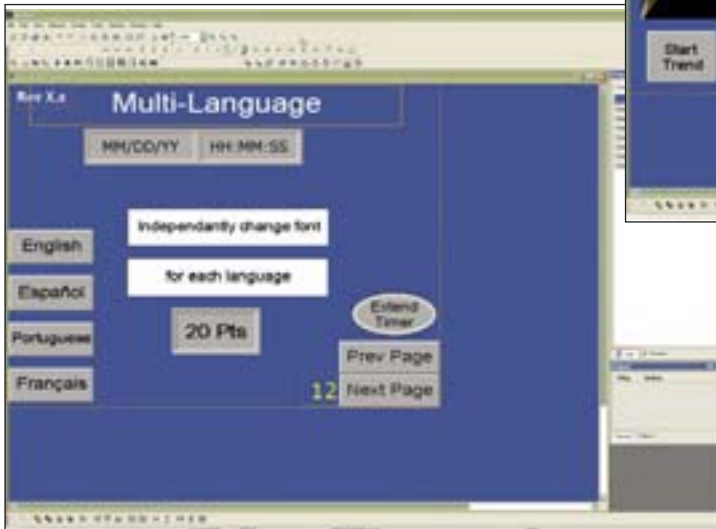
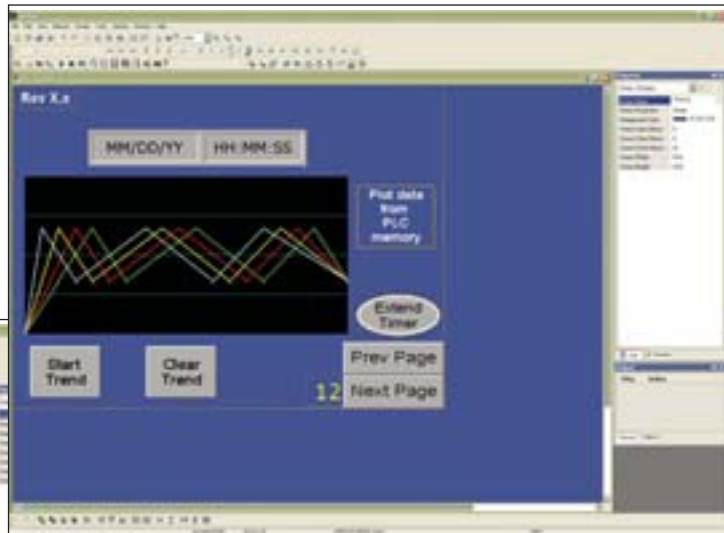


HMISOFT
\$99

- Simulate an Application On-Line or Off-Line
- Built-In Picture Library
- Create Your Own Picture Library
- Screen Manager
- 70 On-Screen Objects
- Easy Object Setup
- Monitor All States of Objects
- Macro Editing
- Scale Application from 10 to 4"
- Upload/Download Applications Over USB



For use with the HMi series of touchscreens, this software supports all of the features of HMi. This easy to use Windows based software can run on Windows 2000 and XP with a minimum CPU of Pentium III 500 Mhz, 256 MB RAM, 100 MB free hard disk space and mouse.



To Order (Specify Model Number)

AVAILABLE FOR FAST DELIVERY!

MODEL NO.	PRICE	DESCRIPTION
HMISOFT	\$99	HMi programming software

Ordering Example: HMISOFT, HMi programming software, \$99.

