

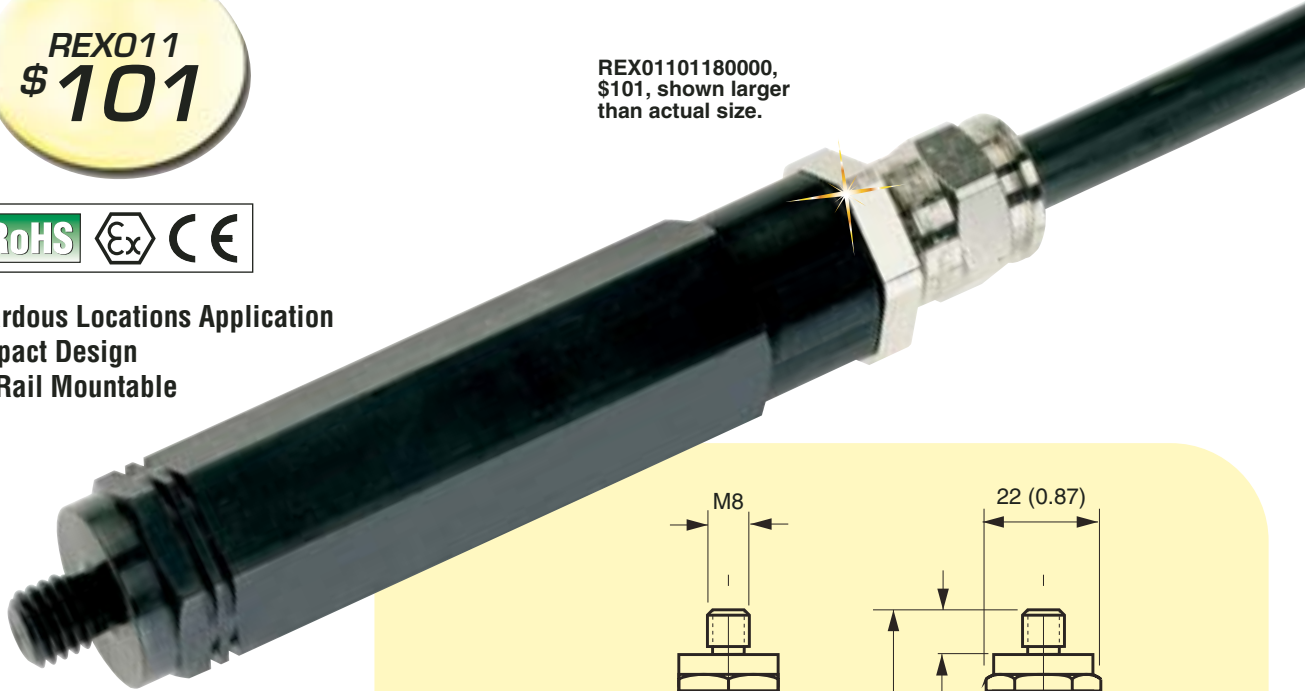
EXPLOSION-PROOF THERMOSTAT



REX01101180000, \$101, shown larger than actual size.



- Hazardous Locations Application
- Compact Design
- DIN Rail Mountable



The design of the thermostat ensures high accuracy, small switching difference (hysteresis) and a long service life. Because of the high switching capacity of the thermostat, heaters can usually be directly connected and switched, without the need for additional relays.

SPECIFICATIONS

Explosion Proof to EN:

LCIE (Laboratoire Central des Industries Electriques)

Conformity Certificate:

LCIE 01 ATEX 6074

Ex Protection Type:

II 2 G D - EEx d IIC T6 IP6x T85°C

Operating Voltage:

AC: 250 V max

DC: 100 V max

Switching Capacity:

4 A: Resistive @ 250 VA

1 A: Ind. (cos ϕ = 0.6) @ 250 Vac

Service Life at Max Load:

>100,000 cycles

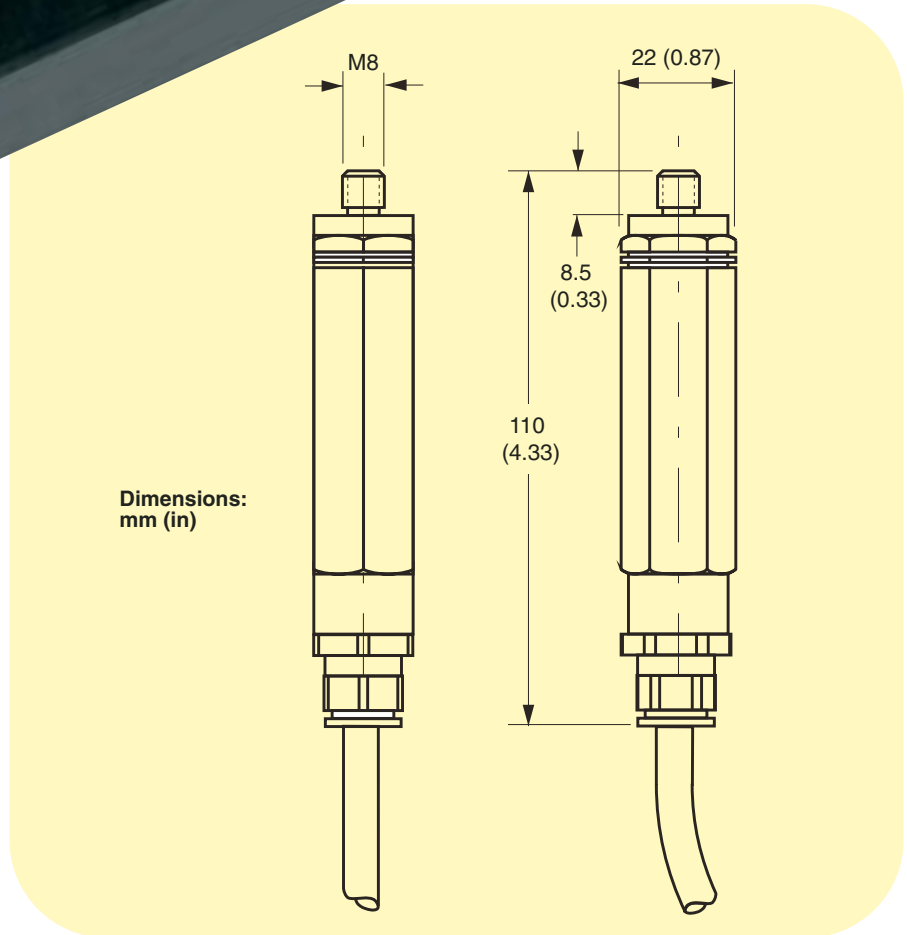
Sensor Element: Thermostatic bi-metal

Contact Type (1-Pole): Opens with rising temperature

Connection Cable: Si HF - JZ 3 x AWG 3 x 0.75 mm² x 1 m (18 x 3.3')

Housing: Aluminum, black anodized

Mounting: Mounting bracket with M8 nut and DIN clip for 35 mm (1.4") DIN rail mounting



Specifications are subject to change without notice. Suitability of this product for its intended use and any associated

risks must be determined by the end customer/buyer in its final application.

To Order (Specify Model Number)

AVAILABLE FOR FAST DELIVERY!

MODEL NO.	PRICE	DESCRIPTION
REX01101180000	\$101	Thermostat, explosion-proof, NC—open on rise, 15°C (59°F), 250V 4 A(1) max

Comes with complete operator's manual.

Ordering Example: REX01101180000, explosion-proof thermostat, \$101.



UNITED STATES

www.omega.com
1-800-TC-OMEGA
Stamford, CT.

CANADA

www.omega.ca
Laval(Quebec)
1-800-TC-OMEGA

GERMANY

www.omega.de
Deckenpfronn, Germany
0800-8266342

UNITED KINGDOM

www.omega.co.uk
Manchester, England
0800-488-488

FRANCE

www.omega.fr
Guyancourt, France
088-466-342

CZECH REPUBLIC

www.omegaeng.cz
Karviná, Czech Republic
596-311-899

BENELUX

www.omega.nl
Amstelveen, NL
0800-099-33-44



More than 100,000 Products Available!

• Temperature

Calibrators, Connectors, General Test and Measurement Instruments, Glass Bulb Thermometers, Handheld Instruments for Temperature Measurement, Ice Point References, Indicating Labels, Crayons, Cements and Lacquers, Infrared Temperature Measurement Instruments, Recorders Relative Humidity Measurement Instruments, RTD Probes, Elements and Assemblies, Temperature & Process Meters, Timers and Counters, Temperature and Process Controllers and Power Switching Devices, Thermistor Elements, Probes and Assemblies, Thermocouples Thermowells and Head and Well Assemblies, Transmitters, Wire

• Flow and Level

Air Velocity Indicators, Doppler Flowmeters, Level Measurement, Magnetic Flowmeters, Mass Flowmeters, Pitot Tubes, Pumps, Rotameters, Turbine and Paddle Wheel Flowmeters, Ultrasonic Flowmeters, Valves, Variable Area Flowmeters, Vortex Shedding Flowmeters

• pH and Conductivity

Conductivity Instrumentation, Dissolved Oxygen Instrumentation, Environmental Instrumentation, pH Electrodes and Instruments, Water and Soil Analysis Instrumentation

• Data Acquisition

Auto-Dialers and Alarm Monitoring Systems, Communication Products and Converters, Data Acquisition and Analysis Software, Data Loggers Plug-in Cards, Signal Conditioners, USB, RS232, RS485 and Parallel Port Data Acquisition Systems, Wireless Transmitters and Receivers

• Pressure, Strain and Force

Displacement Transducers, Dynamic Measurement Force Sensors, Instrumentation for Pressure and Strain Measurements, Load Cells, Pressure Gauges, Pressure Reference Section, Pressure Switches, Pressure Transducers, Proximity Transducers, Regulators, Strain Gages, Torque Transducers, Valves

• Heaters

Band Heaters, Cartridge Heaters, Circulation Heaters, Comfort Heaters, Controllers, Meters and Switching Devices, Flexible Heaters, General Test and Measurement Instruments, Heater Hook-up Wire, Heating Cable Systems, Immersion Heaters, Process Air and Duct, Heaters, Radiant Heaters, Strip Heaters, Tubular Heaters