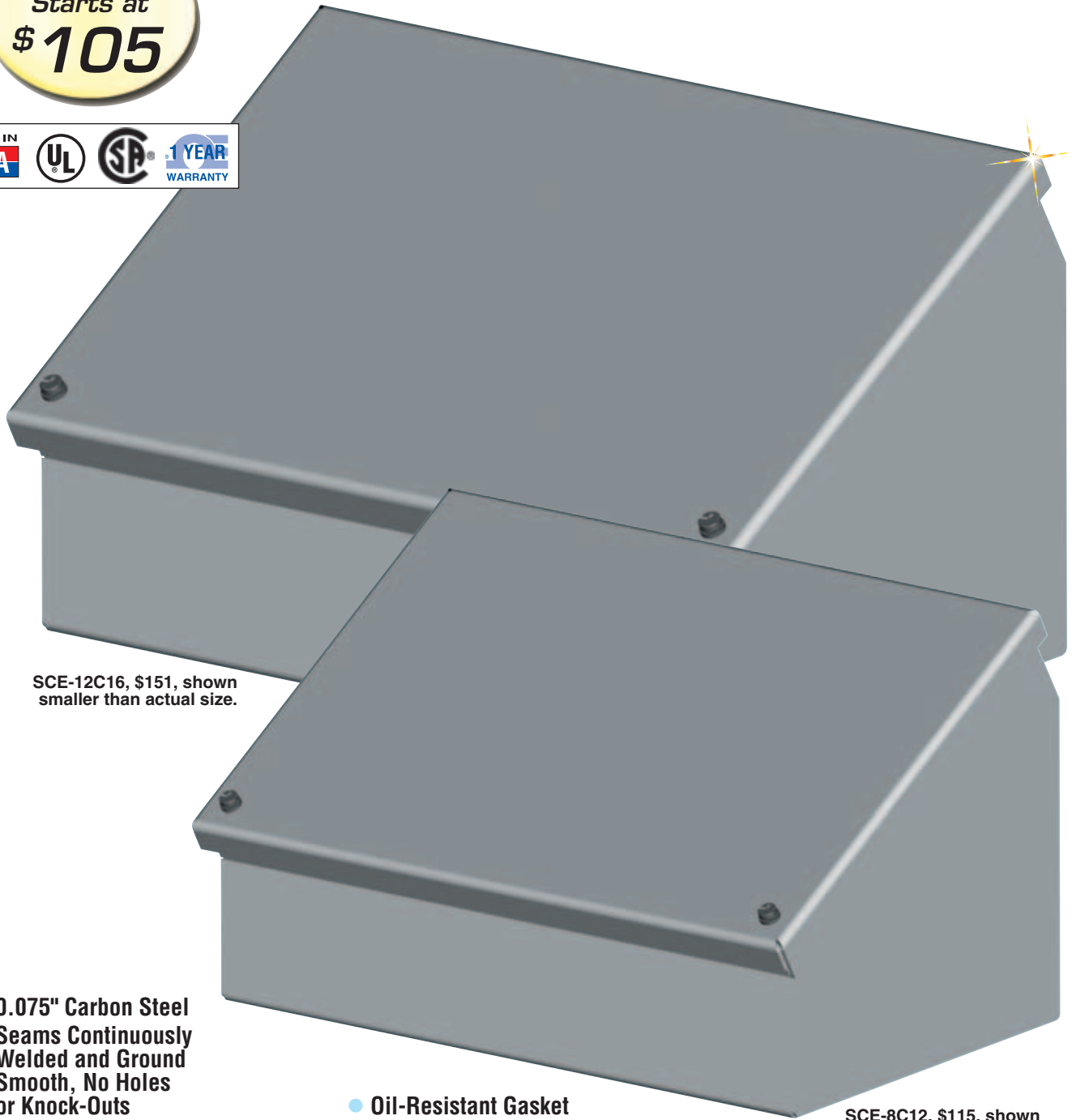




# NEMA TYPE 12 CONSOLETS/OPERATOR SYSTEM ENCLOSURES

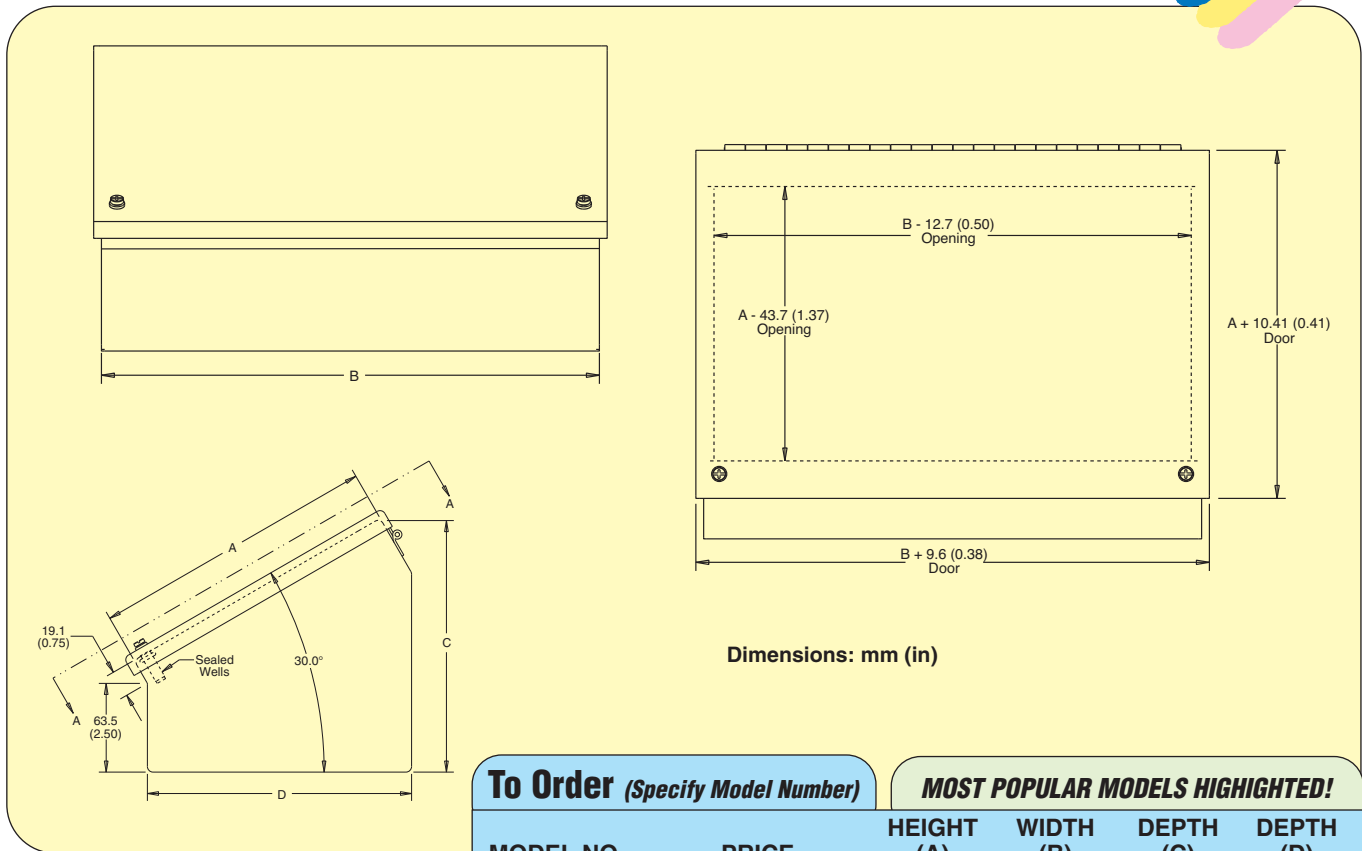
*SCE Consolet  
Series  
Starts at  
\$105*



SCE-12C16, \$151, shown smaller than actual size.

SCE-8C12, \$115, shown smaller than actual size.

- 0.075" Carbon Steel
- Seams Continuously Welded and Ground Smooth, No Holes or Knock-Outs
- Captivated Cover Screws Thread Into sealed wells
- Door Attached With Continuous Hinge
- Oil-Resistant Gasket
- Ground Stud on Door
- May Also Be Ordered in Type 304 and Type 316 Stainless Steel



### Application

Designed to house electrical and electronic controls, instruments, and components. Provides protection from dust, dirt, oil and water. Consolets can be mounted on either of two sides to give a control surface inclined  $30$  or  $60^\circ$ . Can be mounted on desks, machines, or pedestals.

### Finish

ANSI-61 gray powder coating inside and out over phosphatized surfaces. Pedestals and bases are ANSI-61 gray powder coating.

### Industry Standards

NEMA Type 12 & Type 13  
 UL Listed Type 12  
 CSA Type 12  
 IEC 60529 IP 55

### To Order (Specify Model Number)

### MOST POPULAR MODELS HIGHLIGHTED!

MODEL NO.	PRICE	HEIGHT (A)	WIDTH (B)	DEPTH (C)	DEPTH (D)
SCE-8C8	\$105	8.00	8.00	7.09	7.44
SCE-8C12	115	8.00	12.00	7.09	7.44
SCE-8C16	128	8.00	16.00	7.09	7.44
SCE-8C20	138	8.00	20.00	7.09	7.44
SCE-12C12	136	12.00	12.00	9.09	10.91
SCE-12C16	151	12.00	16.00	9.09	10.91
SCE-12C20	166	12.00	20.00	9.09	10.91
SCE-12C24	179	12.00	24.00	9.09	10.91
SCE-16C16	177	16.00	16.00	11.09	14.38
SCE-16C20	194	16.00	20.00	11.09	14.38
SCE-16C24	212	16.00	24.00	11.09	14.38
SCE-16C30	203	16.00	30.00	11.09	14.38
SCE-16C36	229	16.00	36.00	11.09	14.38
SCE-20C20	223	20.00	20.00	13.09	17.84
SCE-20C24	248	20.00	24.00	13.09	17.84
SCE-20C30	237	20.00	30.00	13.09	17.84

Ordering Examples: SCE-8C8 Type 12 consolet, \$105.

SCE-16C20, Type 12 consolet, SCE-66CCOL, straight column with 6 x 6" mounting flange, 35" tall, SCE-18SBASE, pedestal base, \$194 + 262 + 106 = \$562.

### Accessories

MODEL NO.	PRICE	DESCRIPTION	DIMENSIONS
SCE-18SBASE	\$106	Pedestal base	18.00 x 18.00 x 1.00
SCE-24SBASE	241	Pedestal base	24.00 x 24.00 x 1.00
SCE-44CCOL	175	Straight column	4.00 x 4.00 x 35.00
SCE-44PBCOL	208	Angled column	4.00 x 4.00 x 35.00
SCE-66CCOL	262	Straight column	6.00 x 6.00 x 35.00
SCE-66PBCOL	312	Angled column	6.00 x 6.00 x 35.00



#### UNITED STATES

[www.omega.com](http://www.omega.com)  
1-800-TC-OMEGA  
Stamford, CT.

#### CANADA

[www.omega.ca](http://www.omega.ca)  
Laval(Quebec)  
1-800-TC-OMEGA

#### GERMANY

[www.omega.de](http://www.omega.de)  
Deckenpfronn, Germany  
0800-8266342

#### UNITED KINGDOM

[www.omega.co.uk](http://www.omega.co.uk)  
Manchester, England  
0800-488-488

#### FRANCE

[www.omega.fr](http://www.omega.fr)  
Guyancourt, France  
088-466-342

#### CZECH REPUBLIC

[www.omegaeng.cz](http://www.omegaeng.cz)  
Karviná, Czech Republic  
596-311-899

#### BENELUX

[www.omega.nl](http://www.omega.nl)  
Amstelveen, NL  
0800-099-33-44



## More than 100,000 Products Available!

### • Temperature

Calibrators, Connectors, General Test and Measurement Instruments, Glass Bulb Thermometers, Handheld Instruments for Temperature Measurement, Ice Point References, Indicating Labels, Crayons, Cements and Lacquers, Infrared Temperature Measurement Instruments, Recorders Relative Humidity Measurement Instruments, RTD Probes, Elements and Assemblies, Temperature & Process Meters, Timers and Counters, Temperature and Process Controllers and Power Switching Devices, Thermistor Elements, Probes and Assemblies, Thermocouples Thermowells and Head and Well Assemblies, Transmitters, Wire

### • Flow and Level

Air Velocity Indicators, Doppler Flowmeters, Level Measurement, Magnetic Flowmeters, Mass Flowmeters, Pitot Tubes, Pumps, Rotameters, Turbine and Paddle Wheel Flowmeters, Ultrasonic Flowmeters, Valves, Variable Area Flowmeters, Vortex Shedding Flowmeters

### • pH and Conductivity

Conductivity Instrumentation, Dissolved Oxygen Instrumentation, Environmental Instrumentation, pH Electrodes and Instruments, Water and Soil Analysis Instrumentation

### • Data Acquisition

Auto-Dialers and Alarm Monitoring Systems, Communication Products and Converters, Data Acquisition and Analysis Software, Data Loggers Plug-in Cards, Signal Conditioners, USB, RS232, RS485 and Parallel Port Data Acquisition Systems, Wireless Transmitters and Receivers

### • Pressure, Strain and Force

Displacement Transducers, Dynamic Measurement Force Sensors, Instrumentation for Pressure and Strain Measurements, Load Cells, Pressure Gauges, Pressure Reference Section, Pressure Switches, Pressure Transducers, Proximity Transducers, Regulators, Strain Gages, Torque Transducers, Valves

### • Heaters

Band Heaters, Cartridge Heaters, Circulation Heaters, Comfort Heaters, Controllers, Meters and Switching Devices, Flexible Heaters, General Test and Measurement Instruments, Heater Hook-up Wire, Heating Cable Systems, Immersion Heaters, Process Air and Duct, Heaters, Radiant Heaters, Strip Heaters, Tubular Heaters