



NEMA TYPE 4 ENVIROLINE[®] JUNCTION ENCLOSURES

SCE-ELJ Series
Starts at
\$37



- 0.063" Carbon Steel
- Seams Continuously Welded and Ground Smooth
- Flange Trough Collar Around All Sides of Door Opening

- Oil-Resistant Gasket
- Standoffs Provided for Mounting Optional Sub-Panels
- Removable Hinges
- Doors Open 180°
- Black Mini ¼ Turn Latches
- Latches Are Opened or Closed with a Screwdriver
- Sealing Washers and Hole Plugs Included
- Ground Stud on Door and Body
- Mounting Feet (Included)



SCE-1614ELJ, \$132, shown smaller than actual size.



Application

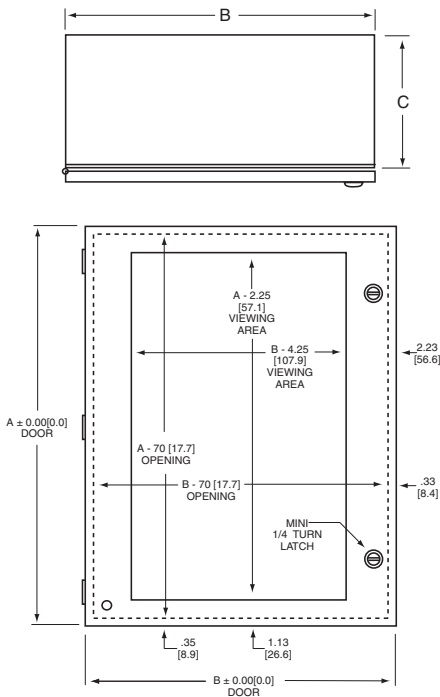
Designed to house electrical controls, instruments and components in areas, which may be regularly hosed down or are in very wet or oily conditions. Provides protection from dust, dirt, oil, and water.

Finish

ANSI-61 gray powder coating inside and out over phosphatized surface. Optional panels are powder coated white.

Industry Standards IS2

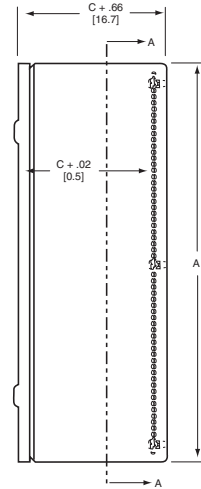
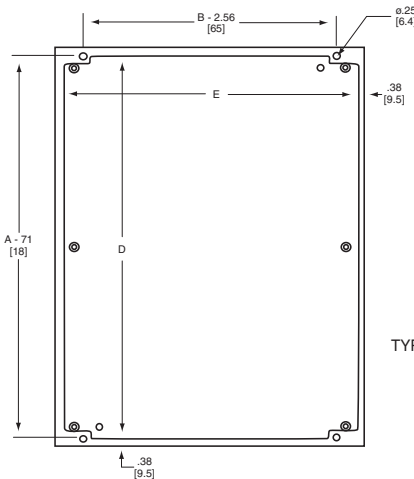
NEMA Type 4, 12, & 13
UL Listed Type 4 & 12
CSA Type 4 & 12
IEC 60529 IP 66



LATCH NOTES:
One latch centered on the door vertically if height is < 14.00 [355.6]

Two latches located 3.00 [76.2] from top & bottom of door if height is > 14.00 [355.6]

Three latches are required if height is > 20.00 [508]



TYPE 4X ENVIROLINE JUNCTION ENCLOSURE WITH WINDOW

Dimensions: in (mm)

To Order (Specify Model Number)

MOST POPULAR MODELS HIGHLIGHTED!

TYPE 4 ENVIROLINE® JUNCTION ENCLOSURES

ENCLOSURES (in)					SUB-PANEL (in)			
MODEL NO.	PRICE	HEIGHT (A)	WIDTH (B)	DEPTH (C)	MODEL NO.	PRICE	HEIGHT (D)	WIDTH (E)
SCE-604ELJ	\$37.00	6.00	4.00	4.00	SCE-6P4J	\$3.10	5.25	3.25
SCE-606ELJ	41.00	6.00	6.00	4.00	SCE-6P6J	3.80	5.25	5.25
SCE-806ELJ	49.50	8.00	6.00	4.00	SCE-8P6J	4.30	7.25	5.25
SCE-8066ELJ	60.00	8.00	6.00	6.00	SCE-8P6J	4.30	7.25	5.25
SCE-808ELJ	62.00	8.00	8.00	4.00	SCE-8P8J	5.90	7.00	7.00
SCE-8086ELJ	65.00	8.00	8.00	4.00	SCE-8P8J	5.90	7.00	7.00
SCE-1008ELJ	72.00	10.00	8.00	4.00	SCE-10P8J	5.90	9.25	7.25
SCE-10086ELJ	78.00	10.00	8.00	6.00	SCE-10P8J	5.90	9.25	7.25
SCE-1210ELJ	84.00	12.00	10.00	6.00	SCE-12P10J	8.00	11.25	9.25
SCE-12108ELJ	96.00	12.00	10.00	8.00	SCE-12P10J	8.00	11.25	9.25
SCE-1212ELJ	100.00	12.00	12.00	6.00	SCE-12P12J	9.40	11.25	11.25
SCE-1412ELJ	114.00	14.00	12.00	6.00	SCE-14P12J	10.50	13.25	11.25
SCE-14128ELJ	118.00	14.00	12.00	8.00	SCE-14P12J	10.50	13.25	11.25
SCE-1614ELJ	132.00	16.00	14.00	6.00	SCE-16P14J	20.75	15.25	13.25
SCE-16148ELJ	142.00	16.00	14.00	8.00	SCE-16P14J	20.75	15.25	13.25
SCE-20166ELJ	147.00	20.00	16.00	6.00	SCE-20P16J	31.50	19.25	15.25
SCE-20168ELJ	153.00	20.00	16.00	8.00	SCE-20P16J	31.50	19.25	15.25
SCE-20206ELJ	163.00	20.00	20.00	6.00	SCE-20P20J	37.00	19.25	19.25
SCE-20208ELJ	173.00	20.00	20.00	8.00	SCE-20P20J	37.00	19.25	19.25
SCE-202010ELJ	182.00	20.00	20.00	10.00	SCE-20P20J	37.00	19.25	19.25

Ordering Example: SCE-604ELJ, Type 4 enviroline junction enclosure, \$37.

SCE-10086ELJ, Type 4 enviroline junction enclosure, 10 H x 8 W x 6" D, SCE-10P8J, sub-panel, \$78 + 5.90 = \$83.90.



UNITED STATES

www.omega.com
1-800-TC-OMEGA
Stamford, CT.

CANADA

www.omega.ca
Laval(Quebec)
1-800-TC-OMEGA

GERMANY

www.omega.de
Deckenpfronn, Germany
0800-8266342

UNITED KINGDOM

www.omega.co.uk
Manchester, England
0800-488-488

FRANCE

www.omega.fr
Guyancourt, France
088-466-342

CZECH REPUBLIC

www.omegaeng.cz
Karviná, Czech Republic
596-311-899

BENELUX

www.omega.nl
Amstelveen, NL
0800-099-33-44



More than 100,000 Products Available!

• Temperature

Calibrators, Connectors, General Test and Measurement Instruments, Glass Bulb Thermometers, Handheld Instruments for Temperature Measurement, Ice Point References, Indicating Labels, Crayons, Cements and Lacquers, Infrared Temperature Measurement Instruments, Recorders Relative Humidity Measurement Instruments, RTD Probes, Elements and Assemblies, Temperature & Process Meters, Timers and Counters, Temperature and Process Controllers and Power Switching Devices, Thermistor Elements, Probes and Assemblies, Thermocouples Thermowells and Head and Well Assemblies, Transmitters, Wire

• Flow and Level

Air Velocity Indicators, Doppler Flowmeters, Level Measurement, Magnetic Flowmeters, Mass Flowmeters, Pitot Tubes, Pumps, Rotameters, Turbine and Paddle Wheel Flowmeters, Ultrasonic Flowmeters, Valves, Variable Area Flowmeters, Vortex Shedding Flowmeters

• pH and Conductivity

Conductivity Instrumentation, Dissolved Oxygen Instrumentation, Environmental Instrumentation, pH Electrodes and Instruments, Water and Soil Analysis Instrumentation

• Data Acquisition

Auto-Dialers and Alarm Monitoring Systems, Communication Products and Converters, Data Acquisition and Analysis Software, Data Loggers Plug-in Cards, Signal Conditioners, USB, RS232, RS485 and Parallel Port Data Acquisition Systems, Wireless Transmitters and Receivers

• Pressure, Strain and Force

Displacement Transducers, Dynamic Measurement Force Sensors, Instrumentation for Pressure and Strain Measurements, Load Cells, Pressure Gauges, Pressure Reference Section, Pressure Switches, Pressure Transducers, Proximity Transducers, Regulators, Strain Gages, Torque Transducers, Valves

• Heaters

Band Heaters, Cartridge Heaters, Circulation Heaters, Comfort Heaters, Controllers, Meters and Switching Devices, Flexible Heaters, General Test and Measurement Instruments, Heater Hook-up Wire, Heating Cable Systems, Immersion Heaters, Process Air and Duct, Heaters, Radiant Heaters, Strip Heaters, Tubular Heaters