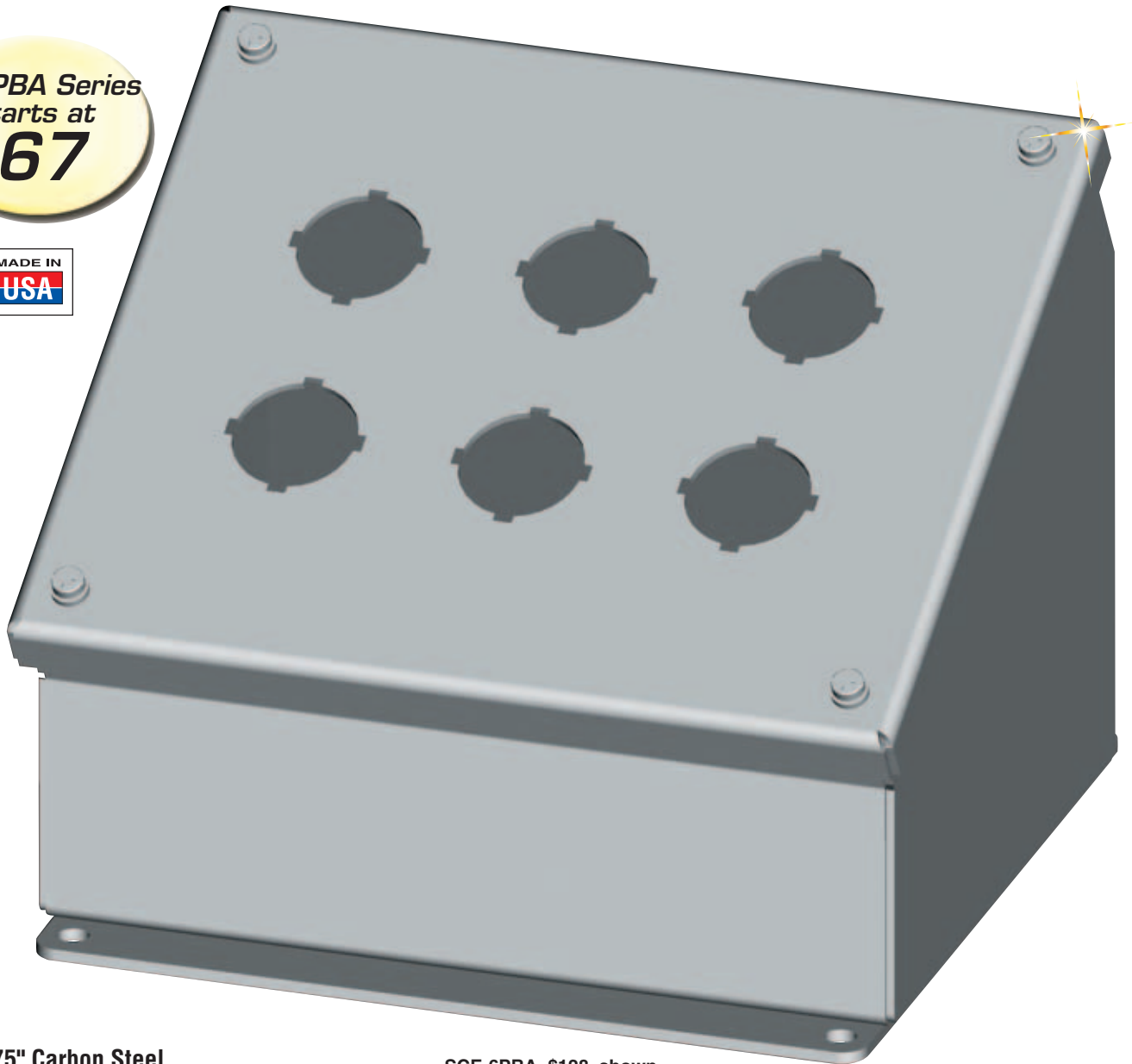




# NEMA TYPE 12 30.5 mm SLOPING FRONT PUSHBUTTON ENCLOSURES

SCE-PBA Series  
Starts at  
**\$67**



- 0.075" Carbon Steel
- Continuously Welded Seams
- Captivated Cover Screws Thread Into Sealed Wells
- 4 -Way Pushbutton Holes Accept All Brands of Oil-Tight Pushbuttons, Switches and Pilot Lights
- Hole Diameter is 30.5 mm (1.20")
- Immediate Removal of Cover is Permitted
- Oil-Resistant Gasket

SCE-6PBA, \$128, shown smaller than actual size.

### Application

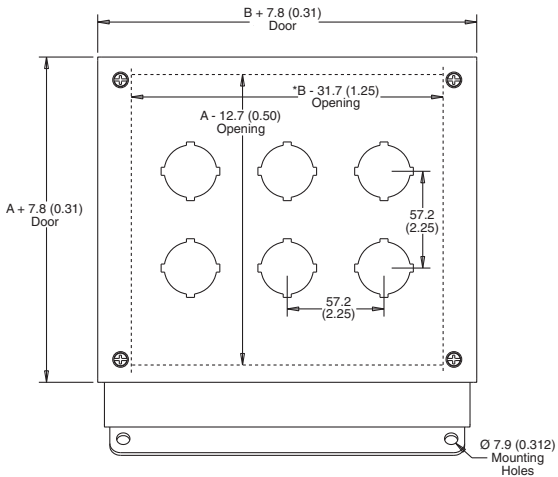
Designed to offer protection for all standard brands of oil-tight pushbuttons, switches, and pilot lights where slanted surfaces are desired. It offers protection from dust, dirt, oil and water.

### Finish

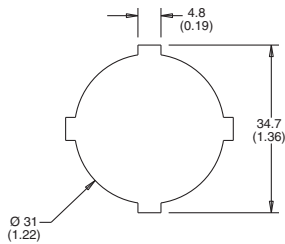
ANSI-61 gray powder coating inside and out over phosphatized surfaces.

### Industry Standards

NEMA Type 12 & Type 13  
UL Listed Type 12  
CSA Type 12  
IEC 60529 IP 55

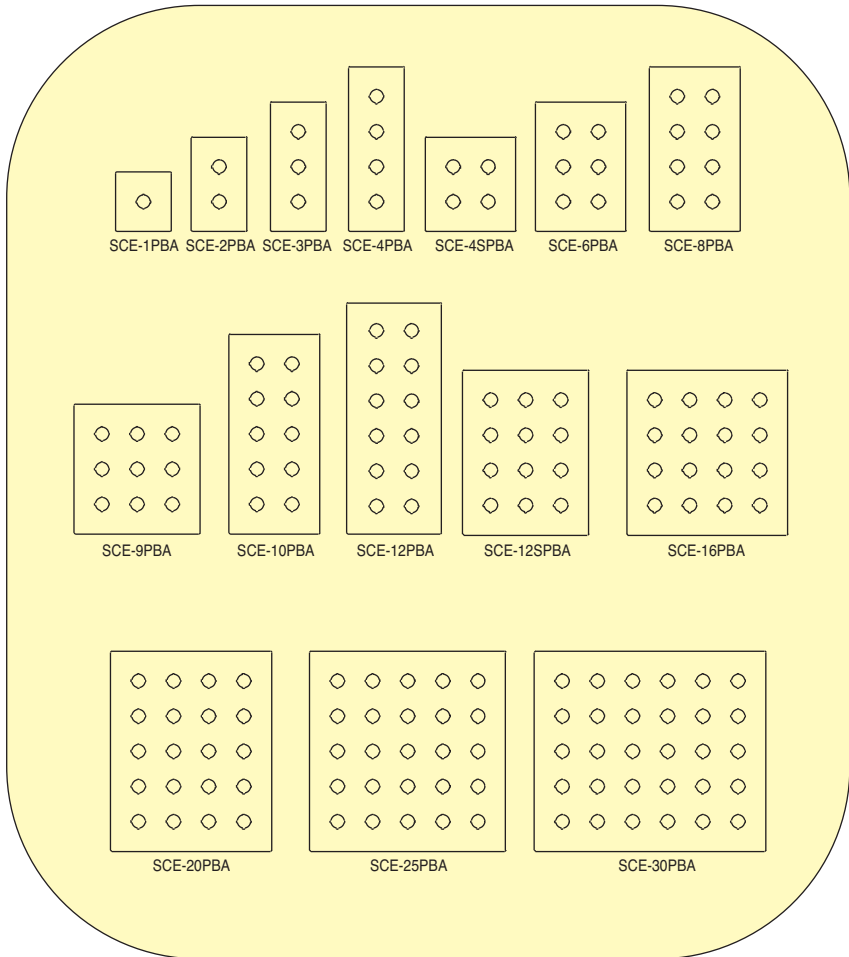
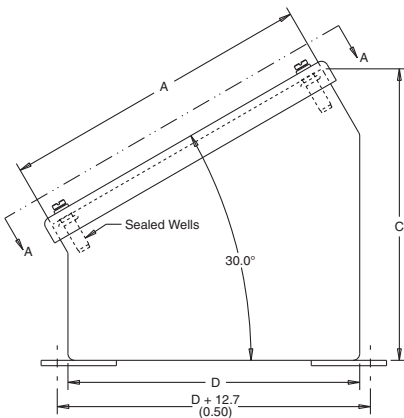
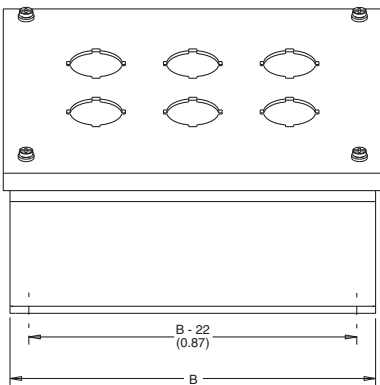


\*B - 12.7 (0.50) one column of pushbuttons



Standard 4-Way

Dimensions: mm (in)



**To Order** (Specify Model Number)

**MOST POPULAR MODELS HIGHLIGHTED!**

**TYPE 12 SLOPING FRONT 30.5 mm PUSHBUTTON ENCLOSURES**

MODEL NO.	PRICE	HEIGHT (in) (A)	WIDTH (in) (B)	DEPTH (in) (C)	DEPTH(in) (D)
SCE-1PBA	\$67	3.50	3.25	4.84	3.53
SCE-2PBA	77	3.50	5.50	4.84	3.53
SCE-3PBA	87	3.50	7.75	4.84	3.53
SCE-4PBA	99	3.50	10.00	4.84	3.53
SCE-4SPBA	110	7.25	6.25	6.75	6.78
SCE-6PBA	128	7.25	8.50	6.75	6.78
SCE-8PBA	145	7.25	10.75	6.75	6.78
SCE-9PBA	151	9.50	8.50	7.88	8.73
SCE-10PBA	161	7.25	13.00	6.75	6.78
SCE-12PBA	175	7.25	15.25	6.75	6.78
SCE-12SPBA	168	11.75	8.50	9.00	10.69
SCE-16PBA	187	11.75	10.75	9.00	10.69
SCE-20PBA	215	11.75	13.00	9.00	10.69
SCE-25PBA	246	14.00	13.00	10.12	12.62
SCE-30PBA	267	14.00	15.25	10.12	12.62

Ordering Examples: SCE-1PBA Type 12 sloping front, 30.5 mm pushbutton enclosure, \$67. SCE-6PBA, Type 12 sloping front, 6 pushbutton enclosure, \$128.



#### UNITED STATES

[www.omega.com](http://www.omega.com)  
1-800-TC-OMEGA  
Stamford, CT.

#### CANADA

[www.omega.ca](http://www.omega.ca)  
Laval(Quebec)  
1-800-TC-OMEGA

#### GERMANY

[www.omega.de](http://www.omega.de)  
Deckenpfronn, Germany  
0800-8266342

#### UNITED KINGDOM

[www.omega.co.uk](http://www.omega.co.uk)  
Manchester, England  
0800-488-488

#### FRANCE

[www.omega.fr](http://www.omega.fr)  
Guyancourt, France  
088-466-342

#### CZECH REPUBLIC

[www.omegaeng.cz](http://www.omegaeng.cz)  
Karviná, Czech Republic  
596-311-899

#### BENELUX

[www.omega.nl](http://www.omega.nl)  
Amstelveen, NL  
0800-099-33-44



## More than 100,000 Products Available!

### • Temperature

Calibrators, Connectors, General Test and Measurement Instruments, Glass Bulb Thermometers, Handheld Instruments for Temperature Measurement, Ice Point References, Indicating Labels, Crayons, Cements and Lacquers, Infrared Temperature Measurement Instruments, Recorders Relative Humidity Measurement Instruments, RTD Probes, Elements and Assemblies, Temperature & Process Meters, Timers and Counters, Temperature and Process Controllers and Power Switching Devices, Thermistor Elements, Probes and Assemblies, Thermocouples Thermowells and Head and Well Assemblies, Transmitters, Wire

### • Flow and Level

Air Velocity Indicators, Doppler Flowmeters, Level Measurement, Magnetic Flowmeters, Mass Flowmeters, Pitot Tubes, Pumps, Rotameters, Turbine and Paddle Wheel Flowmeters, Ultrasonic Flowmeters, Valves, Variable Area Flowmeters, Vortex Shedding Flowmeters

### • pH and Conductivity

Conductivity Instrumentation, Dissolved Oxygen Instrumentation, Environmental Instrumentation, pH Electrodes and Instruments, Water and Soil Analysis Instrumentation

### • Data Acquisition

Auto-Dialers and Alarm Monitoring Systems, Communication Products and Converters, Data Acquisition and Analysis Software, Data Loggers Plug-in Cards, Signal Conditioners, USB, RS232, RS485 and Parallel Port Data Acquisition Systems, Wireless Transmitters and Receivers

### • Pressure, Strain and Force

Displacement Transducers, Dynamic Measurement Force Sensors, Instrumentation for Pressure and Strain Measurements, Load Cells, Pressure Gauges, Pressure Reference Section, Pressure Switches, Pressure Transducers, Proximity Transducers, Regulators, Strain Gages, Torque Transducers, Valves

### • Heaters

Band Heaters, Cartridge Heaters, Circulation Heaters, Comfort Heaters, Controllers, Meters and Switching Devices, Flexible Heaters, General Test and Measurement Instruments, Heater Hook-up Wire, Heating Cable Systems, Immersion Heaters, Process Air and Duct, Heaters, Radiant Heaters, Strip Heaters, Tubular Heaters