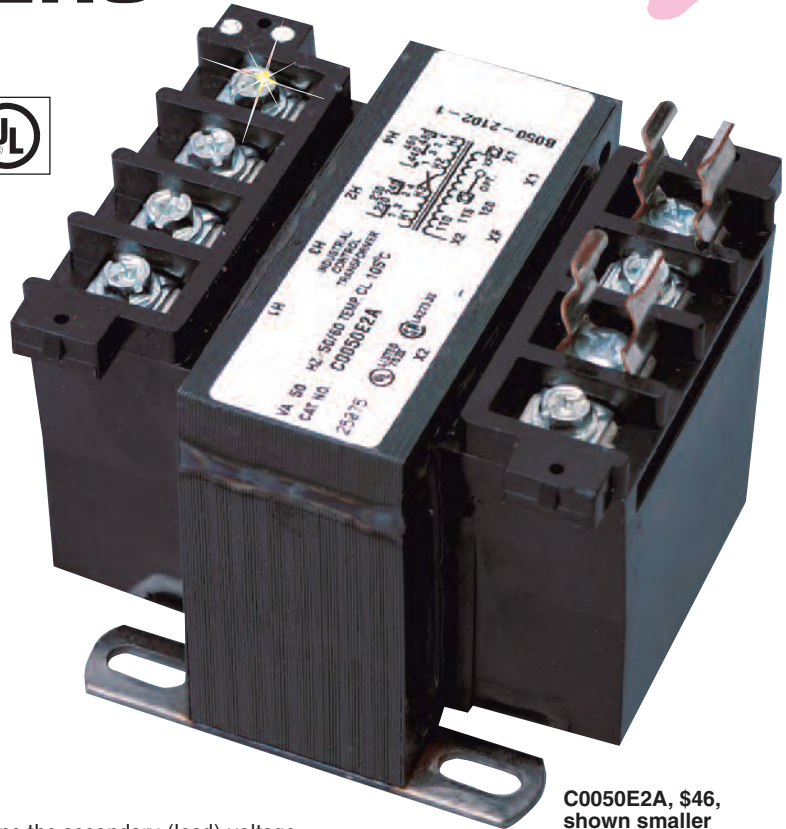


INDUSTRIAL CONTROL TRANSFORMERS



Starts at
\$46



C0050E2A, \$46, shown smaller than actual size.

- Single Phase Transformers
- VA Load for 50 to 500
- Input Voltages 240/480 to 120 Vac
- Input Voltages 208/230/450 to 24/115 Vac
- Models with Integral Fuse Blocks

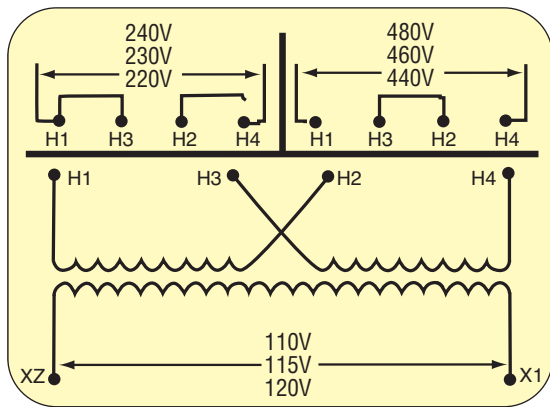
Transformers provide stepped down voltages to machine tool control devices enabling control circuits to be isolated from all power and lighting circuits. This allows the use of grounded or ungrounded circuits that are independent of the power or lighting grounds; greater safety is afforded the operator. The control transformer line is particularly adaptable on applications where compact construction is demanded.

Single-Phase Transformers How to Select Single-Phase Units

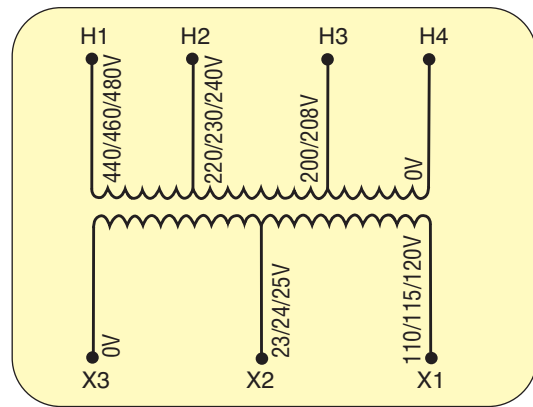
1. Determine the primary (source) voltage (the voltage presently available).
2. Determine the secondary (load) voltage (the voltage needed at the load).
3. Determine the VA load:
Select a transformer rating equal to or greater than the load VA.

$$VA = \text{Load Volts} \times \text{Load Amps}$$

MODEL NO.	VA	DIMENSIONS: mm (in)			WEIGHT kg (lbs)	WIRING DIAGRAM
		HEIGHT	WIDTH	DEPTH		
C0050E2A	50	65 (2.56)	76 (3)	76 (3)	1.2 (2.6)	1
C0075E2A	75	65 (2.56)	76 (3)	89 (3.5)	1.6 (3.5)	1
C0100E2A	100	73 (2.875)	86 (3.375)	86 (3.375)	1.9 (4.2)	1
C0150E2A	150	81 (3.187)	95 (3.75)	102 (4)	3 (6.7)	1
C0200E2A	200	97 (3.812)	114 (4.5)	102 (4)	3.9 (8.5)	1
C0250E2A	250	97 (3.812)	114 (4.5)	111 (4.375)	10 (4.5)	1
C0300E2A	300	97 (3.812)	114 (4.5)	121 (4.75)	5.1 (11.3)	1
C0500E2A	500	121 (4.75)	133 (5.25)	140 (5.5)	8.7 (19.2)	1
C0050E2AFB	50	100 (3.937)	76 (3)	76 (3)	1.3 (2.8)	1
C0075E2AFB	75	100 (3.937)	76 (3)	89 (3.5)	1.7 (3.7)	1
C0100E2AFB	100	108 (4.25)	86 (3.375)	86 (3.375)	2.0 (4.4)	1
C0150E2AFB	150	116 (4.562)	95 (3.75)	102 (4)	3.1 (6.9)	1
C0200E2AFB	200	132 (5.187)	114 (4.5)	102 (4)	3.9 (8.7)	1
C0250E2AFB	250	132 (5.187)	114 (4.5)	111 (4.375)	4.6 (10.2)	1
C0300E2AFB	300	132 (5.187)	114 (4.5)	121 (4.75)	5.2 (11.5)	1
C0350E2AFB	350	132 (5.187)	114 (4.5)	133 (5.25)	6.3 (13.8)	1
C0500E2AFB	500	156 (6.125)	133 (5.25)	140 (5.5)	8.8 (19.4)	1
C0050E5E	50	65 (2.56)	76 (3)	83 (3.25)	1.5 (3.4)	2
C0100E5E	100	81 (3.187)	95 (3.75)	143 (5.625)	2.7 (5.9)	2
C0150E5E	150	81 (3.187)	95 (3.75)	111 (4.375)	3.6 (7.9)	2

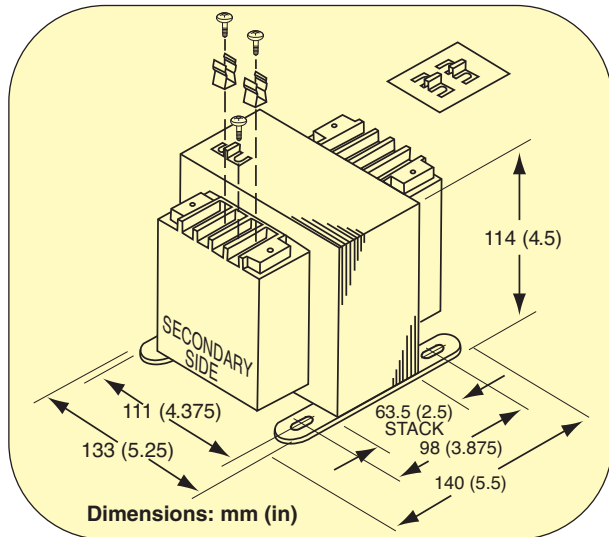


Wiring Diagram 1



Wiring Diagram 2

C0050E2AFB, \$61, shown smaller than actual size.



Dimensions: mm (in)

To Order (Specify Model Number)

MOST POPULAR MODELS HIGHLIGHTED!

INDUSTRIAL CONTROL TRANSFORMERS CPT

MODEL NO.	PRICE	DESCRIPTION
C0050E2A	\$46	50 VA, 240/480 to 120 Vac
C0075E2A	55	75 VA, 240/480 to 120 Vac
C0100E2A	59	100 VA, 240/480 to 120 Vac
C0150E2A	70	150 VA, 240/480 to 120 Vac
C0200E2A	87	200 VA, 240/480 to 120 Vac
C0250E2A	100	250 VA, 240/480 to 120 Vac
C0300E2A	107	300 VA, 240/480 to 120 Vac
C0500E2A	147	500 VA, 240/480 to 120 Vac
C0050E5E	65	50 VA, 208/230/450 to 24/115 Vac
C0100E5E	79	100 VA, 208/230/450 to 24/115 Vac
C0150E5E	100	150 VA, 208/230/450 to 24/115 Vac

TRANSFORMERS WITH PRIMARY FUSE BLOCK

C0050E2AFB	\$61	50 VA, 240/480 to 120 Vac
C0075E2AFB	70	75 VA, 240/480 to 120 Vac
C0100E2AFB	76	100 VA, 240/480 to 120 Vac
C0150E2AFB	87	150 VA, 240/480 to 120 Vac
C0200E2AFB	102	200 VA, 240/480 to 120 Vac
C0250E2AFB	117	250 VA, 240/480 to 120 Vac
C0300E2AFB	123	300 VA, 240/480 to 120 Vac
C0350E2AFB	132	350 VA, 240/480 to 120 Vac
C0500E2AFB	162	500 VA, 240/480 to 120 Vac

Comes complete with instruction sheet.

Ordering Examples: C0050E2A, 50 VA control transformer, \$46.

C0050E2AFB, 50 VA control transformer with primary fuse block, \$61.



UNITED STATES

www.omega.com
1-800-TC-OMEGA
Stamford, CT.

CANADA

www.omega.ca
Laval(Quebec)
1-800-TC-OMEGA

GERMANY

www.omega.de
Deckenpfronn, Germany
0800-8266342

UNITED KINGDOM

www.omega.co.uk
Manchester, England
0800-488-488

FRANCE

www.omega.fr
Guyancourt, France
088-466-342

CZECH REPUBLIC

www.omegaeng.cz
Karviná, Czech Republic
596-311-899

BENELUX

www.omega.nl
Amstelveen, NL
0800-099-33-44



More than 100,000 Products Available!

• Temperature

Calibrators, Connectors, General Test and Measurement Instruments, Glass Bulb Thermometers, Handheld Instruments for Temperature Measurement, Ice Point References, Indicating Labels, Crayons, Cements and Lacquers, Infrared Temperature Measurement Instruments, Recorders Relative Humidity Measurement Instruments, RTD Probes, Elements and Assemblies, Temperature & Process Meters, Timers and Counters, Temperature and Process Controllers and Power Switching Devices, Thermistor Elements, Probes and Assemblies, Thermocouples Thermowells and Head and Well Assemblies, Transmitters, Wire

• Flow and Level

Air Velocity Indicators, Doppler Flowmeters, Level Measurement, Magnetic Flowmeters, Mass Flowmeters, Pitot Tubes, Pumps, Rotameters, Turbine and Paddle Wheel Flowmeters, Ultrasonic Flowmeters, Valves, Variable Area Flowmeters, Vortex Shedding Flowmeters

• pH and Conductivity

Conductivity Instrumentation, Dissolved Oxygen Instrumentation, Environmental Instrumentation, pH Electrodes and Instruments, Water and Soil Analysis Instrumentation

• Data Acquisition

Auto-Dialers and Alarm Monitoring Systems, Communication Products and Converters, Data Acquisition and Analysis Software, Data Loggers Plug-in Cards, Signal Conditioners, USB, RS232, RS485 and Parallel Port Data Acquisition Systems, Wireless Transmitters and Receivers

• Pressure, Strain and Force

Displacement Transducers, Dynamic Measurement Force Sensors, Instrumentation for Pressure and Strain Measurements, Load Cells, Pressure Gauges, Pressure Reference Section, Pressure Switches, Pressure Transducers, Proximity Transducers, Regulators, Strain Gages, Torque Transducers, Valves

• Heaters

Band Heaters, Cartridge Heaters, Circulation Heaters, Comfort Heaters, Controllers, Meters and Switching Devices, Flexible Heaters, General Test and Measurement Instruments, Heater Hook-up Wire, Heating Cable Systems, Immersion Heaters, Process Air and Duct, Heaters, Radiant Heaters, Strip Heaters, Tubular Heaters