

# OMEGABUS® Computer-to-Analog Output Modules

## D3000 and D4000

The D3000 and D4000 are compatible with the OMEGABUS® D1000 and D2000 and may be used in any combination. Up to 124 modules may be strung on one set of wires. All modules are supplied with screw terminal plug connectors and captive mounting hardware. The connectors allow system expansion, reconfiguration, or repair without disturbing field wiring. Their small size allows them to be mounted in virtually any location or position including explosion-proof housings and DIN rails. Utility software (D1000-SW) is available upon request at no charge on an IBM-compatible disk.



**\$275**  
Basic Unit



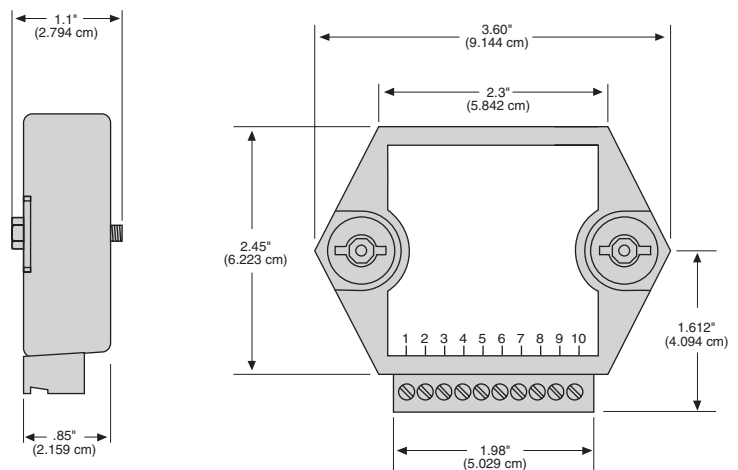
- ✓ Analog Output Ranges: 0-1 V, ±1 V, 0-5 V, ±5 V, 0-10 V, ±10V, 0-20 mA, 4-20 mA
- ✓ Programmable High/Low Output Limits
- ✓ 500 V rms Output Isolation
- ✓ Scaling in Engineering Units
- ✓ 12-Bit Resolution
- ✓ Baud Rates: 300 to 38,400
- ✓ Output Protection: 240 Vac (Current Output), ± 30 V (Voltage Outputs)

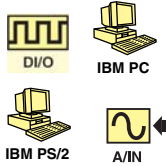
The D3000 and D4000 computer-to-analog output interfaces are designed to be mounted remotely from a host computer and communicate with standard RS-232 and RS-485 serial ports. Simple ASCII commands are used to control a 12-bit digital-to-analog converter that is scaled to provide commonly used current and voltage ranges. An on-board microprocessor provides the communications interface and many intelligent analog output functions. These modules offer an extremely flexible, easy-to-use, and cost-effective approach to data acquisition.

The D4000 modules offer several additional features. A slew rate may be programmed, which causes the output to ramp at an adjustable rate in either an increasing or decreasing direction. The ramp can be initiated and maintained by commands from the computer or with external switch closures to the module. The D4000 module provides a readback feature which allows the computer to verify the integrity of the output.

The D4000 modules also include a watchdog timer circuit that can be set such that if the computer fails to communicate with the module after a preset time period, the module will reset itself to an adjustable default value. This feature minimizes the risks of communication failure.

The A1000 RS-232 to RS-485 converter and repeater can be used if an RS-485 port is not available in your PC, and it is necessary to communicate long distances away. The A1000 also provides power for the modules. RS-232 modules can be used for distances less than 50 feet.





The D3000 and D4000 modules may be stacked for multiple outputs

## Common Specifications, D3000 and D4000 ANALOG OUTPUT

- Single channel analog output  
Voltage: 0-1 V,  $\pm 1$  V, 0-5 V,  $\pm 5$  V, 0-10 V,  $\pm 10$  V  
Current: 0-20 mA
- Input isolation to 500 V rms
- 12-bit measurement resolution
- Accuracy (integral and differential non-linearity): 0.1% FSR (max)
- Zero drift:  $\pm 30$   $\mu$ V/ $^{\circ}$ C (voltage output)  
 $\pm 1.0$   $\mu$ A/ $^{\circ}$ C (current output)
- 1000 conversions per second
- Settling time to 0.1% FS 300  $\mu$ s typical (1 ms max)
- Programmable output slew rate: 0.01 V/s (mA/s) to 10,000 V/s (mA/s) (D4000 only)
- Autozero and autocalibration-no adjustment pots
- Voltage compliance:  $\pm 12$  V
- Output current, short circuit current: 5 mA min, 10 mA max

### Software and Accessories

Model No.	Price	Description
<b>A1000</b>	<b>\$250</b>	RS-232 to RS-485 converter
<b>A1000-CABLE</b>	<b>15</b>	RS-232 9-pin cable

### To Order (Specify Model Number) D3000 Series Output Module Voltage Output

Model No.	Output Range	Input	Price
<b>D3121</b>	$\pm 1$ V	RS-232C	<b>\$275</b>
<b>D3122</b>	$\pm 1$ V	RS-485	<b>275</b>
<b>D3131</b>	$\pm 5$ V	RS-232C	<b>275</b>
<b>D3132</b>	$\pm 5$ V	RS-485	<b>275</b>
<b>D3141</b>	$\pm 10$ V	RS-232C	<b>275</b>
<b>D3142</b>	$\pm 10$ V	RS-485	<b>275</b>
<b>D3161</b>	0 to 1 V	RS-232C	<b>275</b>
<b>D3162</b>	0 to 1 V	RS-485	<b>275</b>
<b>D3171</b>	0 to 5 V	RS-232C	<b>275</b>
<b>D3172</b>	0 to 5 V	RS-485	<b>275</b>
<b>D3181</b>	0 to 10 V	RS-232C	<b>275</b>
<b>D3182</b>	0 to 10 V	RS-485	<b>275</b>

Each unit is supplied with a CD ROM that includes a complete operator's manual and Windows setup software.

D1000 Series digital transmitters are also available with Modbus RTU protocol. To order transmitters Modbus RTU protocol, add suffix "M" at the end of the model number, no additional charge.

## ANALOG OUTPUT READBACK (D4000)

- 8-bit analog-to-digital converter

## DIGITAL INPUTS

- Voltage levels:  $\pm 30$  V without damage
- Three digital inputs (all models)
- Switching levels: High, 3.5 V min, low, 1.0 V max
- Internal pull-up resistors for direct switch input

## COMMUNICATIONS

- RS-232, RS-485
- Up to 124 modules with A1000 converter/repeater, 32 without A1000
- User selectable channel address (via software command)
- Selectable baud rates: 300, 600, 1200, 2400, 4800, 9600, 19.2K, 38.4K
- ASCII format command/response protocol
- Parity: odd, even, none
- All communications setups (address, baud rate, parity) stored in nonvolatile memory using EEPROM
- Checksum can be added to any command or response
- Communications distance up to 10,000 feet with RS-485 modules

**Power Requirements:** Unregulated 10 V to 30 Vdc, 0.75 W max (voltage output), 1.0 W max (current output)

**Case:** ABS with captive mounting hardware

**Connectors:** screw terminal barrier plug (supplied)

**Temperature Range:** Operating:  $-25^{\circ}$ C to  $70^{\circ}$ C  
Storage:  $-25^{\circ}$ C to  $85^{\circ}$ C

**Relative Humidity:** 0 to 95% non-condensing

## MOST POPULAR MODELS HIGHLIGHTED

### D3000 Series Output Module Current Output

Model No.	Output Range	Input	Price
<b>D3251</b>	0 to 20 mA	RS-232C	<b>\$275</b>
<b>D3252</b>	0 to 20 mA	RS-485	<b>275</b>

### D4000 Series Output Module Voltage Output

Model No.	Output Range	Input	Price
<b>D4121</b>	$\pm 1$ V	RS-232C	<b>\$350</b>
<b>D4122</b>	$\pm 1$ V	RS-485	<b>350</b>
<b>D4131</b>	$\pm 5$ V	RS-232C	<b>350</b>
<b>D4132</b>	$\pm 5$ V	RS-485	<b>350</b>
<b>D4141</b>	$\pm 10$ V	RS-232C	<b>350</b>
<b>D4142</b>	$\pm 10$ V	RS-485	<b>350</b>
<b>D4161</b>	0 to 1 V	RS-232C	<b>350</b>
<b>D4162</b>	0 to 1 V	RS-485	<b>350</b>
<b>D4171</b>	0 to 5 V	RS-232C	<b>350</b>
<b>D4172</b>	0 to 5 V	RS-485	<b>350</b>
<b>D4181</b>	0 to 10 V	RS-232C	<b>350</b>
<b>D4182</b>	0 to 10 V	RS-485	<b>350</b>

### D4000 Series Output Module Current Output

Model No.	Output Range	Input	Price
<b>D4251</b>	0 to 20 mA	RS-232C	<b>\$350</b>
<b>D4252</b>	0 to 20 mA	RS-485	<b>350</b>



#### UNITED STATES

[www.omega.com](http://www.omega.com)  
1-800-TC-OMEGA  
Stamford, CT.

#### CANADA

[www.omega.ca](http://www.omega.ca)  
Laval(Quebec)  
1-800-TC-OMEGA

#### GERMANY

[www.omega.de](http://www.omega.de)  
Deckenpfronn, Germany  
0800-8266342

#### UNITED KINGDOM

[www.omega.co.uk](http://www.omega.co.uk)  
Manchester, England  
0800-488-488

#### FRANCE

[www.omega.fr](http://www.omega.fr)  
Guyancourt, France  
088-466-342

#### CZECH REPUBLIC

[www.omegaeng.cz](http://www.omegaeng.cz)  
Karviná, Czech Republic  
596-311-899

#### BENELUX

[www.omega.nl](http://www.omega.nl)  
Amstelveen, NL  
0800-099-33-44



## More than 100,000 Products Available!

### • Temperature

Calibrators, Connectors, General Test and Measurement Instruments, Glass Bulb Thermometers, Handheld Instruments for Temperature Measurement, Ice Point References, Indicating Labels, Crayons, Cements and Lacquers, Infrared Temperature Measurement Instruments, Recorders Relative Humidity Measurement Instruments, RTD Probes, Elements and Assemblies, Temperature & Process Meters, Timers and Counters, Temperature and Process Controllers and Power Switching Devices, Thermistor Elements, Probes and Assemblies, Thermocouples Thermowells and Head and Well Assemblies, Transmitters, Wire

### • Flow and Level

Air Velocity Indicators, Doppler Flowmeters, Level Measurement, Magnetic Flowmeters, Mass Flowmeters, Pitot Tubes, Pumps, Rotameters, Turbine and Paddle Wheel Flowmeters, Ultrasonic Flowmeters, Valves, Variable Area Flowmeters, Vortex Shedding Flowmeters

### • pH and Conductivity

Conductivity Instrumentation, Dissolved Oxygen Instrumentation, Environmental Instrumentation, pH Electrodes and Instruments, Water and Soil Analysis Instrumentation

### • Data Acquisition

Auto-Dialers and Alarm Monitoring Systems, Communication Products and Converters, Data Acquisition and Analysis Software, Data Loggers Plug-in Cards, Signal Conditioners, USB, RS232, RS485 and Parallel Port Data Acquisition Systems, Wireless Transmitters and Receivers

### • Pressure, Strain and Force

Displacement Transducers, Dynamic Measurement Force Sensors, Instrumentation for Pressure and Strain Measurements, Load Cells, Pressure Gauges, Pressure Reference Section, Pressure Switches, Pressure Transducers, Proximity Transducers, Regulators, Strain Gages, Torque Transducers, Valves

### • Heaters

Band Heaters, Cartridge Heaters, Circulation Heaters, Comfort Heaters, Controllers, Meters and Switching Devices, Flexible Heaters, General Test and Measurement Instruments, Heater Hook-up Wire, Heating Cable Systems, Immersion Heaters, Process Air and Duct, Heaters, Radiant Heaters, Strip Heaters, Tubular Heaters