

DR-IO Series Solid State Mini Rail Mount Input & Output Modules

\$24
Basic Unit

- ✓ High Density DIN Rail Mount Design
- ✓ 4000 Volt Isolation
- ✓ Logic Levels Switch High Level ac and dc Circuits
- ✓ High Level ac and dc Signals Switch Logic Circuits
- ✓ Positive and Negative Logic Input Modules
- ✓ Fused Output (Output Modules)
- ✓ LED Logic Indicator
- ✓ Wide Logic Voltage Range
- ✓ Color-Coded
- ✓ TTL Compatible



Jumper Strips for Quick Connections



10-position jumper strips are used to interconnect the positive and/or negative logic terminals, eliminating the need to use small jumper wires. The strips are copper plated and insulated, and can be cut to length as desired.

**Model No.
DR-IO-JUMPER**

\$5

DR-IO Series DIN rail mount input/output modules are ideal for connecting real world discrete signals to a computer interface and other electronic equipment. Most computer interfaces can only sense or generate low level TTL (0/5Vdc) signals. The DR-IO-OAC and DR-IO-ODC output modules can be used to sense high level ac and dc signals.

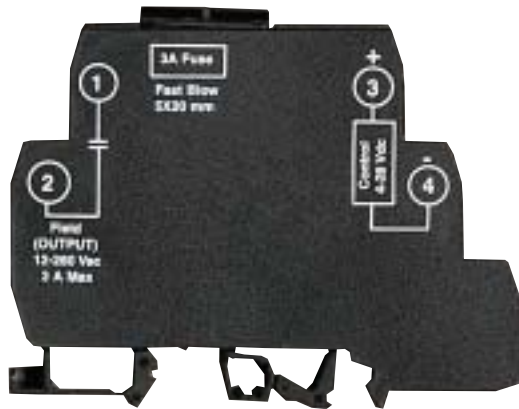
The compact design of the DR-IO modules permit high density mounting on a standard DIN rail.

The input modules are available with negative and positive logic versions. Negative logic modules produce a high logic signal when the input signal from the field goes low and a low logic signal when the field input goes high. With the positive logic modules, the logic signal follows the field signal; that is, the logic signal is high when the field signal is high and low when the field signal is low.

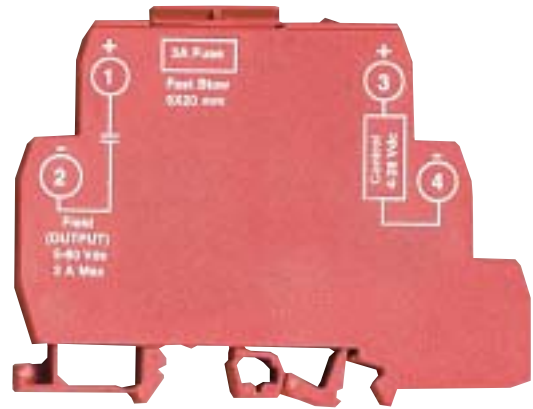
To Order (Specify Model Number)

Model No.	Module Type	Price	Field Input	Field Output	Logic
DR-IO-OAC-R0-280	Output	\$27	—	12-280 Vac	4-28 Vdc
DR-IO-OAC-RA-280	Output	30	—	12-280 Vac	90-280 Vac
DR-IO-ODC-R0-060	Output	27	—	5-60 Vdc	4-28 Vdc
DR-IO-ODC-RL-060	Output	30	—	5-60 Vdc	4-28 Vdc
DR-IO-IAC-R0-280N	Input	24	90-280 Vac	—	Negative
DR-IO-IAC-R0-280P	Input	24	90-280 Vac	—	Positive
DR-IO-IDC-R0-028N	Input	24	4-28 Vdc	—	Negative
DR-IO-IDC-R0-028P	Input	24	4-28 Vdc	—	Positive

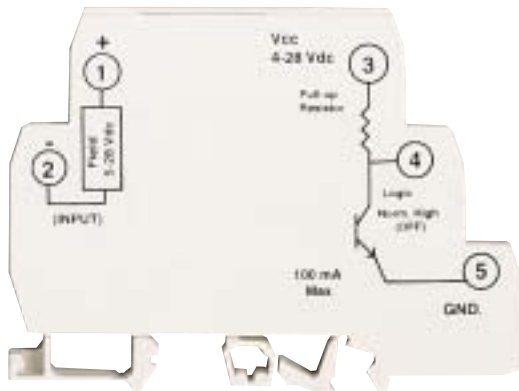
Ordering Example: DR-IO-OAC-R0-280, mini rail mount output module: \$27



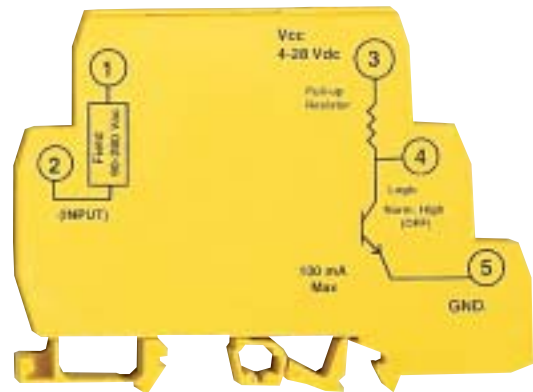
DR-IO-OAC



DR-IO-ODC



DR-IO-IDC



DR-IO-IAC

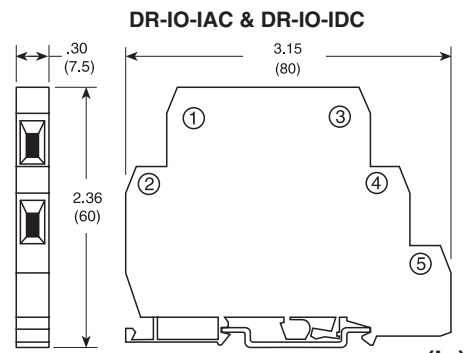
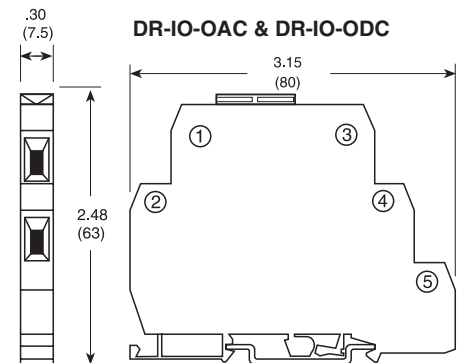
AC & DC Output

Model Number	Logic (Input) Voltage Range Vdc (Vac)	Logic (Input) Impedance (R ²) Ohm	Field (Output) Voltage Range Vac (Vdc)	Field (Output) Current Range A _{rms} @ 45°C
Case Color: Black				
DR-IO-OAC-R0-280	4-28	1,500	12-280	.05-3
DR-IO-OAC-RA-280	(90-280)	40,000	12-280	.05-3
Case Color: Red				
DR-IO-ODC-R0-060	4-28	1,500	(5-60)	0-3
DR-IO-ODC-RL-060*	4-28	1,500	(5-60)	0-3

*Low off-state leakage model (100 μA @ max field voltage)(micro Amps)

Specifications

Operating Ambient: -30 to 70°C (-22 to 158°F)
Storage Temperature: -40 to 100°C (-40 to 212°F)
Isolation: 4000 Vrms
Mounting: standard "C" or as Top Hat 35 mm DIN rails



mm (in)

AC & DC Input

Model Number	Logic (Output) Voltage Range Vdc	Max Load Current mA	Turn On Time ms (μs)	Turn Off Time ms (μs)	Field (Input) Voltage Vac (Vdc)	Logic
Case Color: Yellow						
DR-IO-IAC-R0-028N	4-28	100	20	20	5-28	NEG
DR-IO-IAC-R0-028P	4-28	100	20	20	5-28	POS
DR-IO-IAC-R0-280N	4-28	100	20	20	90-280	NEG
DR-IO-IAC-R0-280P	4-28	100	20	20	90-280	POS
Case Color: White						
DR-IO-IDC-R0-028N	4-28	100	(30)	(60)	(4-28)	NEG
DR-IO-IDC-R0-028P	4-28	100	(30)	(60)	(4-28)	POS



UNITED STATES

www.omega.com
1-800-TC-OMEGA
Stamford, CT.

CANADA

www.omega.ca
Laval(Quebec)
1-800-TC-OMEGA

GERMANY

www.omega.de
Deckenpfronn, Germany
0800-8266342

UNITED KINGDOM

www.omega.co.uk
Manchester, England
0800-488-488

FRANCE

www.omega.fr
Guyancourt, France
088-466-342

CZECH REPUBLIC

www.omegaeng.cz
Karviná, Czech Republic
596-311-899

BENELUX

www.omega.nl
Amstelveen, NL
0800-099-33-44



More than 100,000 Products Available!

• Temperature

Calibrators, Connectors, General Test and Measurement Instruments, Glass Bulb Thermometers, Handheld Instruments for Temperature Measurement, Ice Point References, Indicating Labels, Crayons, Cements and Lacquers, Infrared Temperature Measurement Instruments, Recorders Relative Humidity Measurement Instruments, RTD Probes, Elements and Assemblies, Temperature & Process Meters, Timers and Counters, Temperature and Process Controllers and Power Switching Devices, Thermistor Elements, Probes and Assemblies, Thermocouples Thermowells and Head and Well Assemblies, Transmitters, Wire

• Flow and Level

Air Velocity Indicators, Doppler Flowmeters, Level Measurement, Magnetic Flowmeters, Mass Flowmeters, Pitot Tubes, Pumps, Rotameters, Turbine and Paddle Wheel Flowmeters, Ultrasonic Flowmeters, Valves, Variable Area Flowmeters, Vortex Shedding Flowmeters

• pH and Conductivity

Conductivity Instrumentation, Dissolved Oxygen Instrumentation, Environmental Instrumentation, pH Electrodes and Instruments, Water and Soil Analysis Instrumentation

• Data Acquisition

Auto-Dialers and Alarm Monitoring Systems, Communication Products and Converters, Data Acquisition and Analysis Software, Data Loggers Plug-in Cards, Signal Conditioners, USB, RS232, RS485 and Parallel Port Data Acquisition Systems, Wireless Transmitters and Receivers

• Pressure, Strain and Force

Displacement Transducers, Dynamic Measurement Force Sensors, Instrumentation for Pressure and Strain Measurements, Load Cells, Pressure Gauges, Pressure Reference Section, Pressure Switches, Pressure Transducers, Proximity Transducers, Regulators, Strain Gages, Torque Transducers, Valves

• Heaters

Band Heaters, Cartridge Heaters, Circulation Heaters, Comfort Heaters, Controllers, Meters and Switching Devices, Flexible Heaters, General Test and Measurement Instruments, Heater Hook-up Wire, Heating Cable Systems, Immersion Heaters, Process Air and Duct, Heaters, Radiant Heaters, Strip Heaters, Tubular Heaters