

DIN Rail Mount Bridge Input Signal Conditioners

DRC-4710/4720

\$184

All Models



- ✓ DIN Rail Mount
- ✓ Bridge Input (Load Cell, Strain Gage) or Voltage Input
- ✓ 0 to 10 Vdc (DRC-4710) or 4 to 20 mA (DRC-4720) Output
- ✓ Economical

The DRC-4710 and DRC-4720 DIN rail mount signal conditioners are self-contained DC powered modules designed for bridge input (load cell, strain gage) or voltage input (not connected to a bridge, excitation supply not used). These signal conditioners contain a precision instrumentation amplifier, filtered output and a built-in 10V excitation supply capable of driving a 350 Ω bridge. The 0 to 30 mV input range makes the DRC-4710 and DRC-4720 compatible with most strain gage based load cell or pressure transducer outputs. Two models are available, one with 0 to 10 Vdc output (DRC-4710), and the other with 4 to 20 mA output (DRC-4720). Connections are made via easily accessible screw terminal blocks. Zero and Span adjustment potentiometers are located externally as well for easy access.

Specifications

INPUT

Input Range: 0 to 10 mV, 0 to 20 mV, 0 to 30 mV (dip switch selectable)

Linearity: ±0.01%

Zero Adjust: 20% max output

Temperature Coefficient: 0.05%/°C

Input Offset Voltage: ±70 μV

Input Offset Voltage Temperature Coefficient: 0.7 μV/°C

Common Mode Voltage: 0 to 5V

Common Mode Rejection (DC): 100 dB

Input Noise: 0.3 μV pp typ (0.1 to 10 Hz)

OUTPUT

Output Range:

DRC-4710: 0 to 10 Vdc

DRC-4720: 4 to 20 mA

Load Current (DRC-4710): 5 mA max

Compliance Voltage (DRC-4720): 5.5V max

Loop Resistance (DRC-4720): 250 Ω max

Frequency Response (2-Pole Filter): DC to 10 Hz

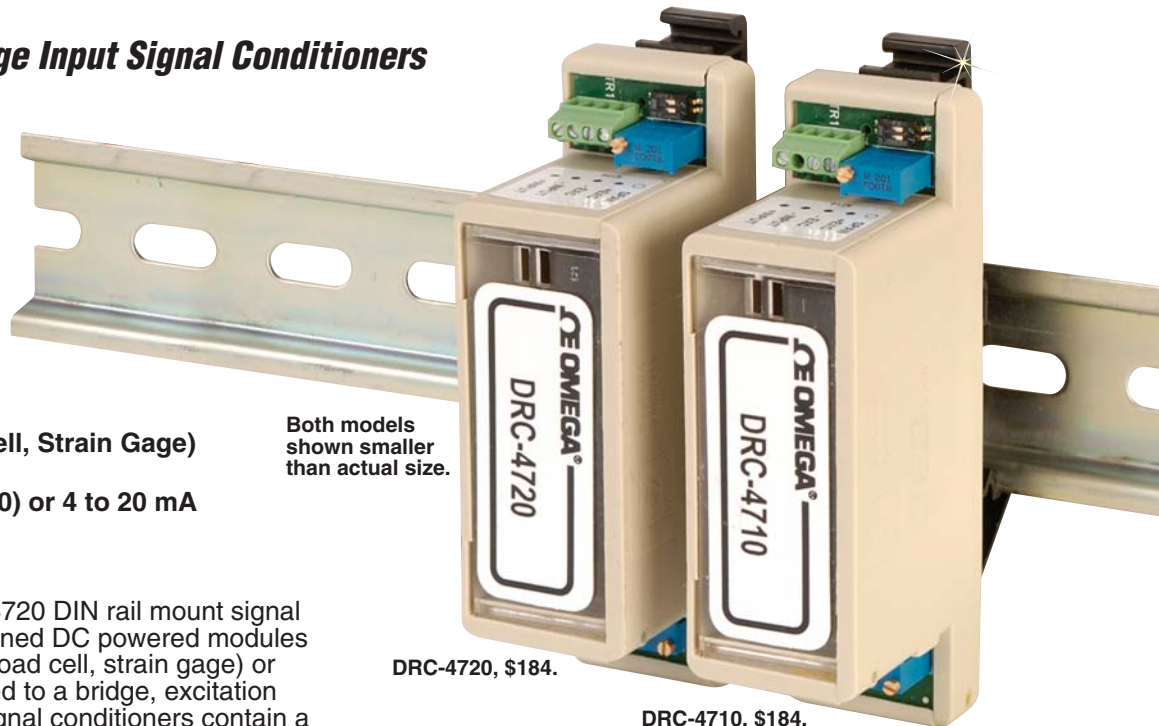
Total RMS Gain Temperature Coefficient: 0.007%/°C

BRIDGE EXCITATION SUPPLY

Fixed Output: 10V ±1.0%

Temperature Coefficient: 0.05%/°C

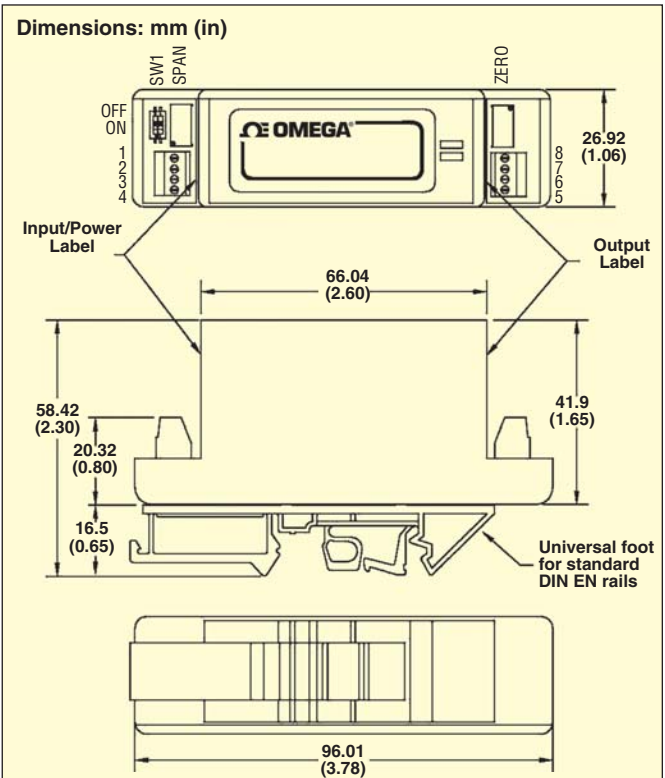
Load Current: 30 mA max



Both models shown smaller than actual size.

DRC-4720, \$184.

DRC-4710, \$184.



GENERAL

Power: 18 to 26 Vdc

Input Current (One 350 Ω Bridge):

DRC-4710: 40 mA

DRC-4720: 55 mA

Operating Ambient: 0 to 55°C (32 to 131°F)

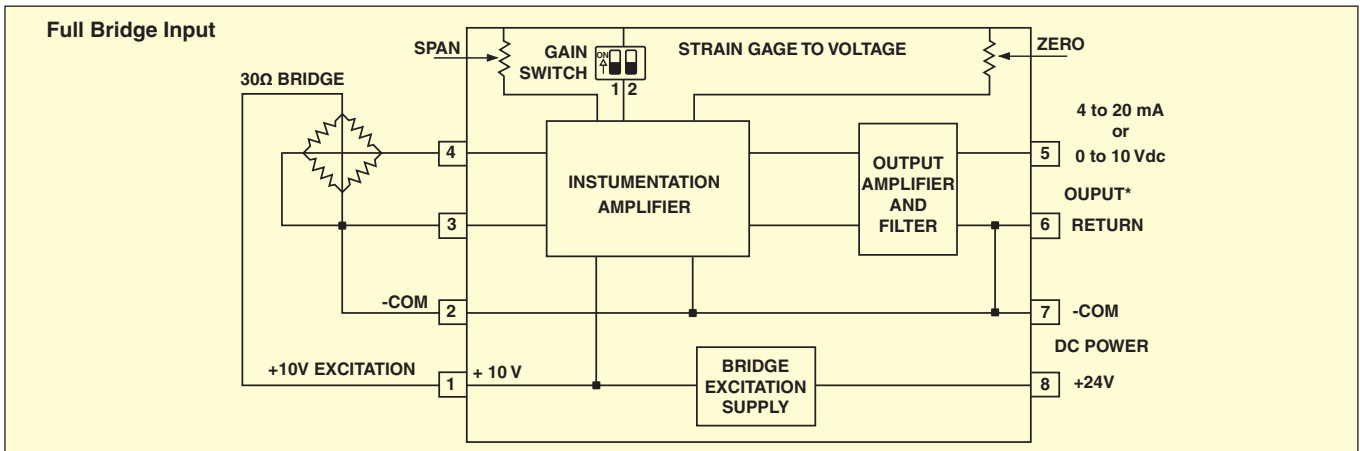
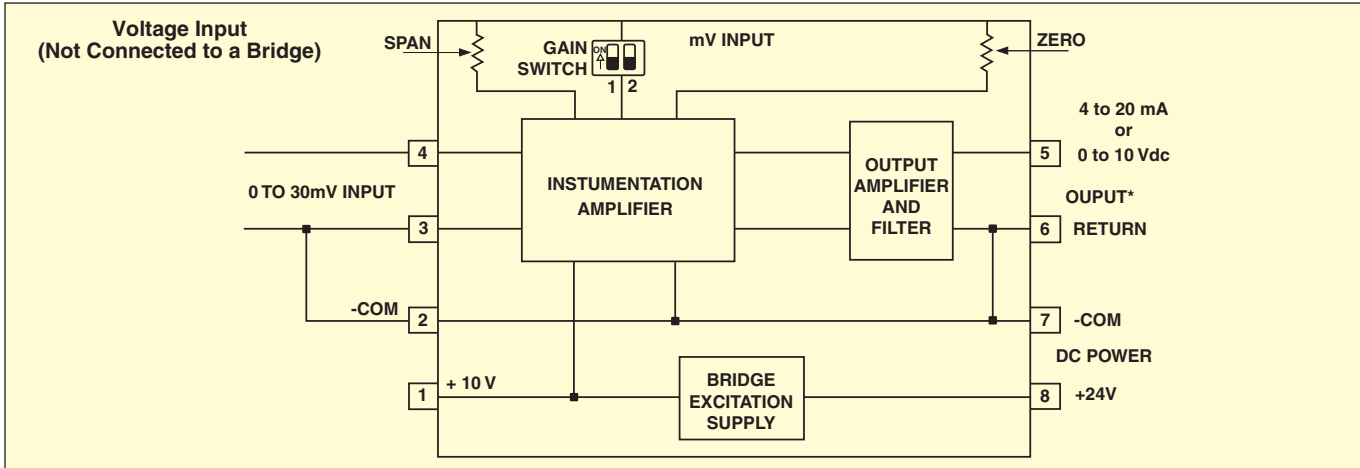
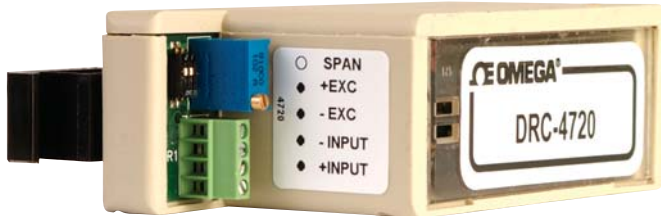
Storage Temperature: -40 to 80°C (-40 to 176°F)

Dimensions: 96 H x 27 W x 42 mm D

(3.78 x 1.06 x 1.65")

Weight: 85 g (3 oz)

Detail of input/output connections for DRC-4720 shown actual size.



*DRC-4710 (0 to 10 Vdc output)
DRC-4720 (4 to 20 mA output)

IN STOCK FOR FAST DELIVERY!



OMEGACARESM extended warranty program is available for models shown on this page. Ask your sales representative for full details when placing an order.

To Order (Specify Model Number)

| Model No. | Price | Description |
|-----------|-------|---|
| DRC-4710 | \$184 | Bridge input signal conditioner with 0 to 10 Vdc output |
| DRC-4720 | 184 | Bridge input signal conditioner with 4 to 20 mA |

Accessories

| Model No. | Price | Description |
|--------------|-------|---|
| iDRN-PS-1000 | \$150 | Power supply (switching), 95 to 240 Vac Input, 24 Vdc output @ 850 mA |
| RAIL-35-2 | 15 | 35 mm (1.4") DIN rail, 2 m (6.6') length |
| RAIL-35-1 | 10 | 35 mm (1.4") DIN rail, 1 m (3.3') length |

Comes complete with operator's manual.

Ordering Example: DRC-4710, bridge input signal conditioner with 0 to 10 Vdc output, iDRN-PS-1000 power supply, RAIL-35-2 mounting rail, and OMEGACARE 1-year extended warranty for DRC-4710 (\$25) (adds 1 year to standard 1-year warranty), \$184 + 150 + 15 + 25 = \$374.



UNITED STATES

www.omega.com
1-800-TC-OMEGA
Stamford, CT.

CANADA

www.omega.ca
Laval(Quebec)
1-800-TC-OMEGA

GERMANY

www.omega.de
Deckenpfronn, Germany
0800-8266342

UNITED KINGDOM

www.omega.co.uk
Manchester, England
0800-488-488

FRANCE

www.omega.fr
Guyancourt, France
088-466-342

CZECH REPUBLIC

www.omegaeng.cz
Karviná, Czech Republic
596-311-899

BENELUX

www.omega.nl
Amstelveen, NL
0800-099-33-44



More than 100,000 Products Available!

• Temperature

Calibrators, Connectors, General Test and Measurement Instruments, Glass Bulb Thermometers, Handheld Instruments for Temperature Measurement, Ice Point References, Indicating Labels, Crayons, Cements and Lacquers, Infrared Temperature Measurement Instruments, Recorders Relative Humidity Measurement Instruments, RTD Probes, Elements and Assemblies, Temperature & Process Meters, Timers and Counters, Temperature and Process Controllers and Power Switching Devices, Thermistor Elements, Probes and Assemblies, Thermocouples Thermowells and Head and Well Assemblies, Transmitters, Wire

• Flow and Level

Air Velocity Indicators, Doppler Flowmeters, Level Measurement, Magnetic Flowmeters, Mass Flowmeters, Pitot Tubes, Pumps, Rotameters, Turbine and Paddle Wheel Flowmeters, Ultrasonic Flowmeters, Valves, Variable Area Flowmeters, Vortex Shedding Flowmeters

• pH and Conductivity

Conductivity Instrumentation, Dissolved Oxygen Instrumentation, Environmental Instrumentation, pH Electrodes and Instruments, Water and Soil Analysis Instrumentation

• Data Acquisition

Auto-Dialers and Alarm Monitoring Systems, Communication Products and Converters, Data Acquisition and Analysis Software, Data Loggers Plug-in Cards, Signal Conditioners, USB, RS232, RS485 and Parallel Port Data Acquisition Systems, Wireless Transmitters and Receivers

• Pressure, Strain and Force

Displacement Transducers, Dynamic Measurement Force Sensors, Instrumentation for Pressure and Strain Measurements, Load Cells, Pressure Gauges, Pressure Reference Section, Pressure Switches, Pressure Transducers, Proximity Transducers, Regulators, Strain Gages, Torque Transducers, Valves

• Heaters

Band Heaters, Cartridge Heaters, Circulation Heaters, Comfort Heaters, Controllers, Meters and Switching Devices, Flexible Heaters, General Test and Measurement Instruments, Heater Hook-up Wire, Heating Cable Systems, Immersion Heaters, Process Air and Duct, Heaters, Radiant Heaters, Strip Heaters, Tubular Heaters