

DRP-8500 Series Low Cost Analog to Frequency Modules for Micro PLC Digital Inputs

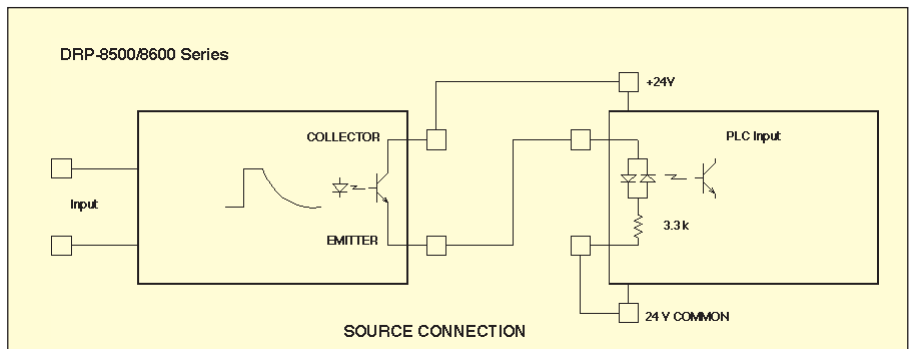
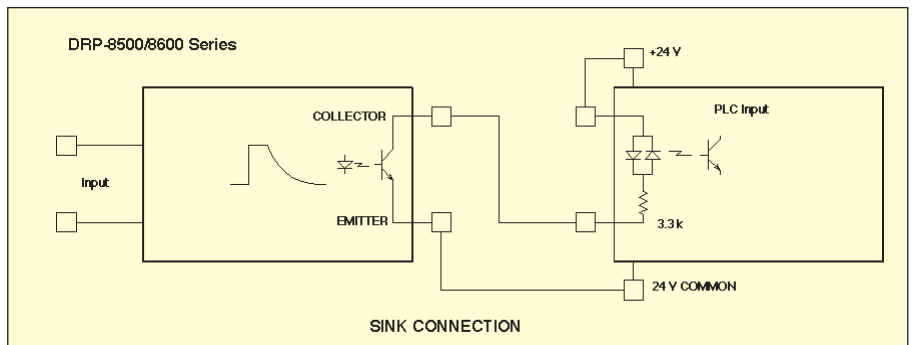


From
\$125

- ✓ DRP-8500 Series Connect to Micro PLCs High Speed Counter Inputs
- ✓ DRP-8600 Series Connect to Micro PLCs 24 VDC Logic Inputs
- ✓ Voltage, Current, RTD, Thermocouple and Strain Gage Inputs
- ✓ DIN Rail Mountable

The DRP-8500 Series modules offer a low cost analog I/O solution for micro PLCs. The series is ideal for discrete automation applications requiring one or two analog I/O channels. All models in the series interface with the PLC high speed counter inputs or pulse outputs. Digital signal pulse-width is fixed at 50 μ sec. They will accept a variety of analog inputs, such as thermocouple, RTD, strain gage, voltage, and current. Some DRP-8500 models can be connected to pulse outputs from a PLC, and will then provide an analog output. The DRP-8500 series modules have an isolated floating optocoupler transistor which provides DC isolation from the input, output and DC power. The output transistor is fully floating allowing either source or sink connection to the PLC. The DRP-8500 resolution is 12 bits.

The DRP-8600 Series modules are designed to interface with the low-speed 24 Vdc logic inputs of a PLC for applications requiring additional analog inputs. The DRP-8600 modules output a square wave up to 500 Hz with a 50-50 duty cycle, allowing the PLC to count the frequency producing better than 8-bit resolution, 1 part in 500. The DRP-8600 module has an isolated floating optocoupler transistor which provides DC isolation from the input, output and DC power. The output transistor is fully floating allowing either source or sink connection to the PLC.





DRP-8500 Series shown smaller than actual size

All modules are housed in a plastic case with a built-in U-foot for mounting on standard DIN rails. Connections are made to screw clamp terminals that accept wire sizes 22 AWG to 16 AWG.

Connections:
Screw terminals, 22 to 16 AWG
Power:
24 volts nominal
Size:
42 H x 27 W x 96 mmL (1.65 x 1.06 x 3.78")
Weight:
85 g (3 oz)

Common Specifications
(contact engineering for detailed specifications)

MOST POPULAR MODELS HIGHLIGHTED!

To Order (Specify Model Number)			
Model Number	Price	Input	Output
Analog to Frequency (High Speed Counter Input)			
DRP-8505	\$125	4 mA to 20 mA	1,000 to 5,000 Hz from floating optocoupler
DRP-8506	125	0 to 5Vdc	0 to 5,000 Hz from floating optocoupler
DRP-8507	135	0 to 10Vdc	0 to 5,000 Hz from floating optocoupler
Frequency to Analog (High Speed Counter Input)			
DRP-8508	125	1000 to 5000 Hz optocoupler diode (7 mA into 3.3 K Ω , 20 μ S pulse width min)	4 to 20 mA
DRP-8509	125	0 to 5000 Hz optocoupler diode (7 mA into 3.3 K Ω , 20 μ S pulse width min)	0.1 to 5 Vdc
DRP-8510	125	0 to 2000 Hz optocoupler diode (7 mA into 3.3 K Ω , 20 μ S pulse width min)	0.05 to 5 Vdc
DRP-8513	125	400 to 2000 Hz optocoupler diode (7 mA into 3.3 K Ω , 20 μ S pulse width min)	20 mA
DRP-8514	125	0 to 2000 Hz optocoupler diode (7 mA into 3.3 K Ω , 20 μ S pulse width min)	10 Vdc
Thermocouple to Frequency (High Speed Counter Input)			
DRP-8511	150	Type J T/C 0 to 500°C	100 to 5100 Hz from floating optocoupler
DRP-8512	150	Type K T/C 0 to 500°C	100 to 5100 Hz from floating optocoupler
RTD to Frequency (High Speed Counter Input)			
DRP-8540	150	Platinum RTD -100 to +400°C 100 ohm α = 0.00385 2 or 3 Wire Connection	100 to 5100 Hz from floating optocoupler
Strain Gage to Frequency (High Speed Counter Input)			
DRP-8555	150	0 to 50 mV Differential Signal from full bridge Strain Gage, 10 V excitation provided	0 to 5 KHz from floating optocoupler
Analog to Frequency (Low Speed Pulse Input)			
DRP-8605	125	4-20 mA	100-500 Hz from floating optocoupler
DRP-8606	125	0-5 Vdc	
DRP-8607	125	0-10 Vdc	0-500 Hz from floating optocoupler
Type J T/C to Frequency Converters(Low Speed Pulse Input)			
DRP-8611	150	Type J T/C 0 to 1000°C	10-1100 Hz from floating optocoupler
DRP-8612	150	Type K T/C 0 to 1250°C	5 Hz to 630 Hz from floating optocoupler



UNITED STATES

www.omega.com
1-800-TC-OMEGA
Stamford, CT.

CANADA

www.omega.ca
Laval(Quebec)
1-800-TC-OMEGA

GERMANY

www.omega.de
Deckenpfronn, Germany
0800-8266342

UNITED KINGDOM

www.omega.co.uk
Manchester, England
0800-488-488

FRANCE

www.omega.fr
Guyancourt, France
088-466-342

CZECH REPUBLIC

www.omegaeng.cz
Karviná, Czech Republic
596-311-899

BENELUX

www.omega.nl
Amstelveen, NL
0800-099-33-44



More than 100,000 Products Available!

• Temperature

Calibrators, Connectors, General Test and Measurement Instruments, Glass Bulb Thermometers, Handheld Instruments for Temperature Measurement, Ice Point References, Indicating Labels, Crayons, Cements and Lacquers, Infrared Temperature Measurement Instruments, Recorders Relative Humidity Measurement Instruments, RTD Probes, Elements and Assemblies, Temperature & Process Meters, Timers and Counters, Temperature and Process Controllers and Power Switching Devices, Thermistor Elements, Probes and Assemblies, Thermocouples Thermowells and Head and Well Assemblies, Transmitters, Wire

• Flow and Level

Air Velocity Indicators, Doppler Flowmeters, Level Measurement, Magnetic Flowmeters, Mass Flowmeters, Pitot Tubes, Pumps, Rotameters, Turbine and Paddle Wheel Flowmeters, Ultrasonic Flowmeters, Valves, Variable Area Flowmeters, Vortex Shedding Flowmeters

• pH and Conductivity

Conductivity Instrumentation, Dissolved Oxygen Instrumentation, Environmental Instrumentation, pH Electrodes and Instruments, Water and Soil Analysis Instrumentation

• Data Acquisition

Auto-Dialers and Alarm Monitoring Systems, Communication Products and Converters, Data Acquisition and Analysis Software, Data Loggers Plug-in Cards, Signal Conditioners, USB, RS232, RS485 and Parallel Port Data Acquisition Systems, Wireless Transmitters and Receivers

• Pressure, Strain and Force

Displacement Transducers, Dynamic Measurement Force Sensors, Instrumentation for Pressure and Strain Measurements, Load Cells, Pressure Gauges, Pressure Reference Section, Pressure Switches, Pressure Transducers, Proximity Transducers, Regulators, Strain Gages, Torque Transducers, Valves

• Heaters

Band Heaters, Cartridge Heaters, Circulation Heaters, Comfort Heaters, Controllers, Meters and Switching Devices, Flexible Heaters, General Test and Measurement Instruments, Heater Hook-up Wire, Heating Cable Systems, Immersion Heaters, Process Air and Duct, Heaters, Radiant Heaters, Strip Heaters, Tubular Heaters