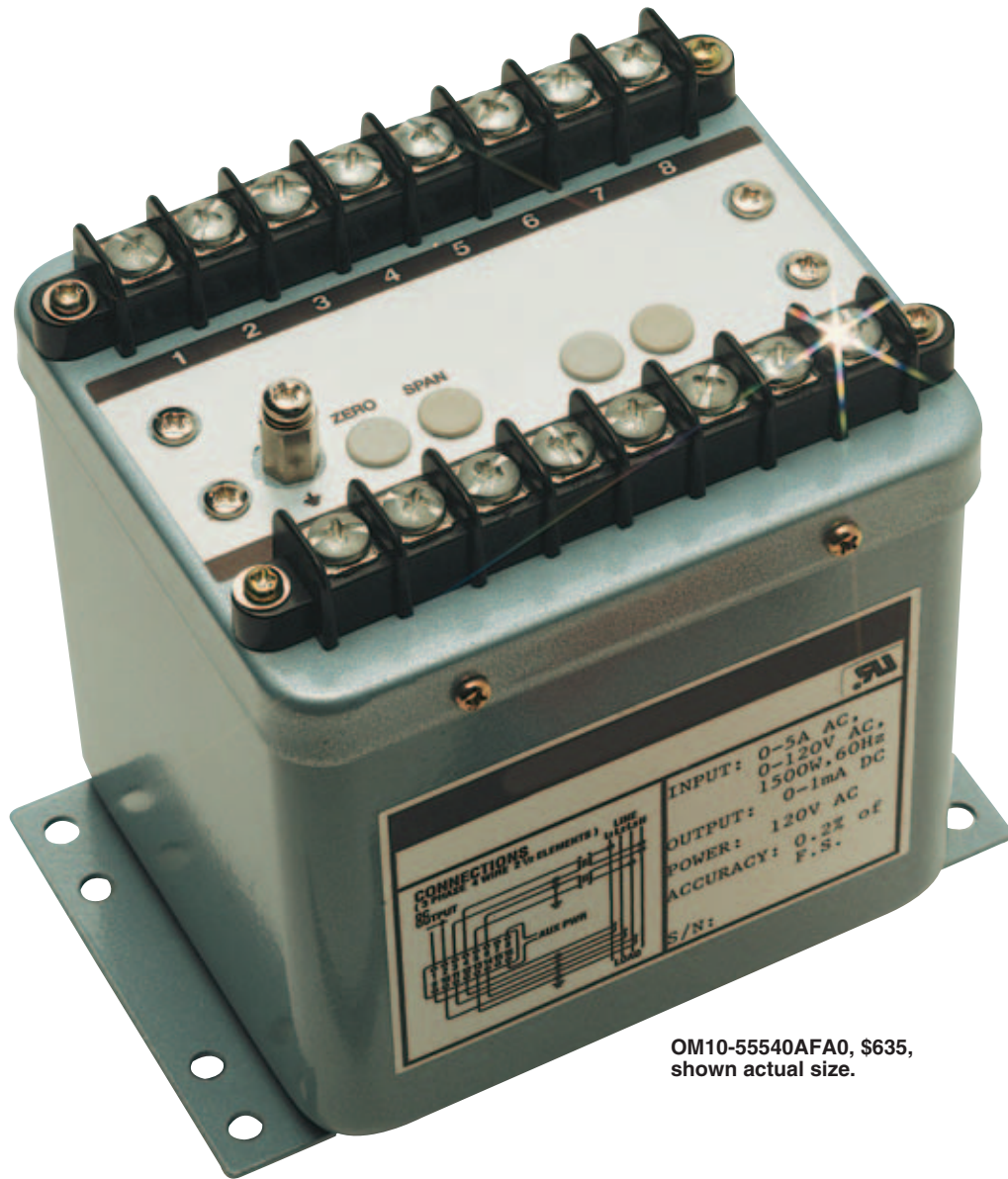


Watt Transducers

OM10 Series
Starts at
\$395



OM10-55540AFA0, \$635,
shown actual size.

- ✓ 0.2% Accuracy
- ✓ Isolated
- ✓ Models Available with
4 to 20 mA or 0 to 1 mA
Outputs

OMEGAs OM10 Series watt transducers accept AC voltages and currents to produce a conditioned dc process signal output representing wattage. Single, dual, and three element models are available to accommodate a variety of wiring configurations. For larger input voltages and currents, the OM10 may also be used with OMEGAs voltage and current transformers.

Specifications

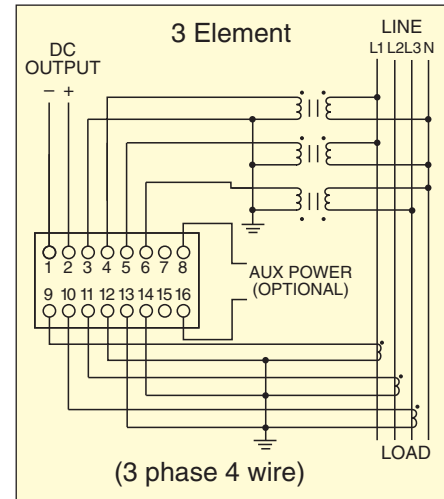
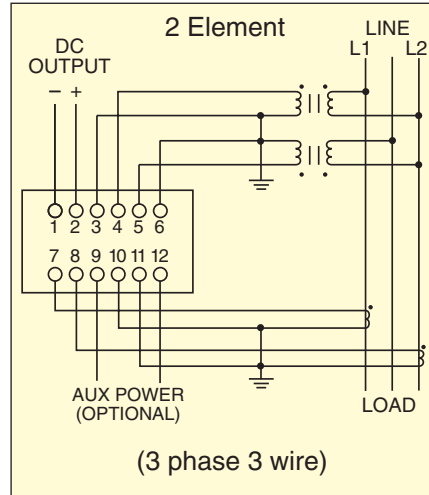
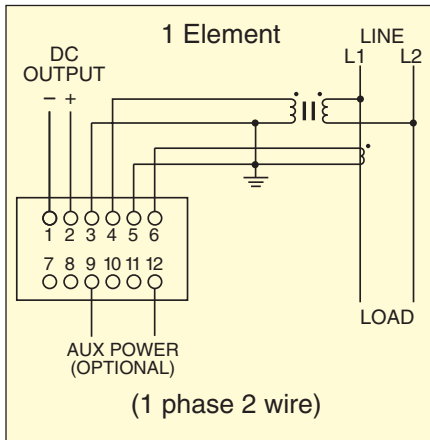
Accuracy: 0.2% of reading
Sustained Input Overrange:
 Voltage, 120% continuous, 150%
 for 5 seconds; current, 200%
 continuous, 1000% for 5 seconds
Outputs: 0 to 1 mA DC: into 10 k Ω
 10 Vdc compliance; 4 to 20 mA into
 750 Ω max 15 Vdc compliance
Output Calibration:
 120 Vac/5 A = 0 to 500 W/element;
 240 Vac/5 A = 0 to 1000 W/element
Zero Adjust: \pm 5% min
Span Adjust: \pm 10% min

Response Time: <400 msec
 0 to 99% of full scale

Power Consumption: 5 VA max

Isolation: Input to output:
 2500 Vac, 60 Hz, 1 min; input to
 power: 2500 Vac, 60 Hz, 1 min;
 input to case: 2500 Vac, 60 Hz,
 1 min; power to output: 2000 Vac,
 60 Hz, 1 min; power to case:
 2000 Vac, 60 Hz, 1 min; output to
 case: 500 Vac, 60 Hz, 1 min

Dimensions:
 119.8 H x 133 W x 95.7 mm D
 (4.717 x 5.236 x 3.769")



Drawings show optional current and voltage transformers.

AVAILABLE FOR FAST DELIVERY!

To Order (Specify Model Number)

Model No.	Price	Signal	Input Frequency	Input Output	Power Required
AC Watt (1 Element)					
OM10-51540AFA0	\$395	120 Vac/5 A	60 Hz	0 to 1 mA DC	Self powered
OM10-51580AFA0	395	240 Vac/5 A	60 Hz	0 to 1 mA DC	Self powered
OM10-51540AHD1	395	120 Vac/5 A	60 Hz	4 to 20 mA DC	120 Vac
OM10-51580AHD1	395	240 Vac/5 A	60 Hz	4 to 20 mA DC	120 Vac
OM10-51540AHD2	395	120 Vac/5 A	60 Hz	4 to 20 mA DC	240 Vac
OM10-51580AHD2	395	240 Vac/5 A	60 Hz	4 to 20 mA DC	240 Vac
AC Watt (2 Elements) For Delta Configuration or "Y" Configuration with No Neutral					
OM10-53540AFA0	\$500	120 Vac/5 A	60 Hz	0 to 1 mA DC	Self powered
OM10-53580AFA0	500	240 Vac/5 A	60 Hz	0 to 1 mA DC	Self powered
OM10-53540AHD1	500	120 Vac/5 A	60 Hz	4 to 20 mA DC	120 Vac
OM10-53580AHD1	500	240 Vac/5 A	60 Hz	4 to 20 mA DC	120 Vac
OM10-53540AHD2	500	120 Vac/5 A	60 Hz	4 to 20 mA DC	240 Vac
OM10-53580AHD2	500	240 Vac/5 A	60 Hz	4 to 20 mA DC	240 Vac
AC Watt (3 Elements) For 4-Wire "Y" Configuration					
OM10-55540AFA0	\$635	120 Vac/5 A	60 Hz	0 to 1 mA DC	Self powered
OM10-55580AFA0	635	240 Vac/5 A	60 Hz	0 to 1 mA DC	Self powered
OM10-55540AHD1	635	120 Vac/5A	60 Hz	4 to 20 mA DC	120 Vac
OM10-55580AHD1	635	240 Vac/5 A	60 Hz	4 to 20 mA DC	120 Vac
OM10-55540AHD2	635	120 Vac/5 A	60 Hz	4 to 20 mA DC	240 Vac
OM10-55580AHD2	635	240 Vac/5 A	60 Hz	4 to 20 mA DC	240 Vac

* Consult engineering for 50 Hz and 400 Hz models.

Ordering Example: OM10-53540AFA0, 120 Vac/5 A 60 Hz transducer, \$500.



UNITED STATES

www.omega.com
1-800-TC-OMEGA
Stamford, CT.

CANADA

www.omega.ca
Laval(Quebec)
1-800-TC-OMEGA

GERMANY

www.omega.de
Deckenpfronn, Germany
0800-8266342

UNITED KINGDOM

www.omega.co.uk
Manchester, England
0800-488-488

FRANCE

www.omega.fr
Guyancourt, France
088-466-342

CZECH REPUBLIC

www.omegaeng.cz
Karviná, Czech Republic
596-311-899

BENELUX

www.omega.nl
Amstelveen, NL
0800-099-33-44



More than 100,000 Products Available!

• Temperature

Calibrators, Connectors, General Test and Measurement Instruments, Glass Bulb Thermometers, Handheld Instruments for Temperature Measurement, Ice Point References, Indicating Labels, Crayons, Cements and Lacquers, Infrared Temperature Measurement Instruments, Recorders Relative Humidity Measurement Instruments, RTD Probes, Elements and Assemblies, Temperature & Process Meters, Timers and Counters, Temperature and Process Controllers and Power Switching Devices, Thermistor Elements, Probes and Assemblies, Thermocouples Thermowells and Head and Well Assemblies, Transmitters, Wire

• Flow and Level

Air Velocity Indicators, Doppler Flowmeters, Level Measurement, Magnetic Flowmeters, Mass Flowmeters, Pitot Tubes, Pumps, Rotameters, Turbine and Paddle Wheel Flowmeters, Ultrasonic Flowmeters, Valves, Variable Area Flowmeters, Vortex Shedding Flowmeters

• pH and Conductivity

Conductivity Instrumentation, Dissolved Oxygen Instrumentation, Environmental Instrumentation, pH Electrodes and Instruments, Water and Soil Analysis Instrumentation

• Data Acquisition

Auto-Dialers and Alarm Monitoring Systems, Communication Products and Converters, Data Acquisition and Analysis Software, Data Loggers Plug-in Cards, Signal Conditioners, USB, RS232, RS485 and Parallel Port Data Acquisition Systems, Wireless Transmitters and Receivers

• Pressure, Strain and Force

Displacement Transducers, Dynamic Measurement Force Sensors, Instrumentation for Pressure and Strain Measurements, Load Cells, Pressure Gauges, Pressure Reference Section, Pressure Switches, Pressure Transducers, Proximity Transducers, Regulators, Strain Gages, Torque Transducers, Valves

• Heaters

Band Heaters, Cartridge Heaters, Circulation Heaters, Comfort Heaters, Controllers, Meters and Switching Devices, Flexible Heaters, General Test and Measurement Instruments, Heater Hook-up Wire, Heating Cable Systems, Immersion Heaters, Process Air and Duct, Heaters, Radiant Heaters, Strip Heaters, Tubular Heaters