

Temperature and Humidity Virtual Chart Recorder

iTHX-2 Series
Starts at
\$295



iServer

- ✓ Web Server
- ✓ Email Alarms
- ✓ Data Logging
- ✓ No Special Software Required



View Temperature and Humidity with a Web Browser

The OMEGA® iTHX-2 transmitter lets you monitor and record temperature, relative humidity, and dew point over an Ethernet network or the Internet with no special software except a Web browser.

The iTHX serves active Web pages to display real-time readings, charts of temperature and humidity, or log data in standard data formats for use in a spreadsheet or data acquisition program such as Excel or Visual Basic.

The virtual chart viewed on the Web page is a JAVA™ Applet that records a chart over the LAN or Internet in real time. With the iTHX, there is no need to invest time and money learning a proprietary software program to log or chart the data.

Adjustable Charts

Chart scales are fully adjustable on the fly. For example, the chart can display one minute, one hour, one day, one week, one month or one year. Temperature and humidity can be charted across the full span [-40 to 124°C (-40 to 254°F)], and 0 to 100% RH) or within any narrow range such as 20 to 30°C (68 to 86°F). When a second sensor is added, users can select a chart that records channel 1, channel 2 or the difference of the two channels.

Display and Chart Two Channels

The iTHX transmitters come complete with a temperature and humidity probe for measurement of a single location. With the addition of a second probe, the iTHX transmitter can measure and display temperature, humidity, and dew point in a second location up to 10' away.

The transmitter can display and chart absolute measurements in both locations, or a differential measurement between the two locations. The second probe requires no change to the basic iTHX transmitter hardware.



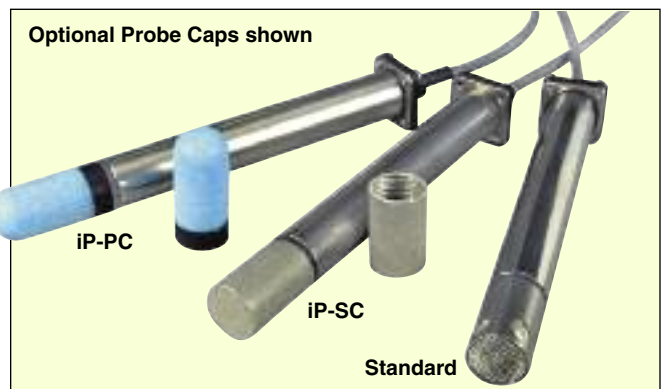
RAIL-35-2 DIN Rail,
2 m (6.6'), sold
separately, \$15.

iTHX-2 iServer
MicroServer™
shown with industrial
temperature/humidity
probe (included), \$295.

A second probe can be added at the time of purchase or in the future. OMEGA offers a choice of industrial probes in 2 and 5" lengths

Award-Winning Technology

The OMEGA iTHX is simple to install and use, and features OMEGA's award-winning iServer technology that requires no special software except a Web



SANITARY TEMPERATURE SENSORS

browser. The iTHX connects to an Ethernet network with a standard RJ45 connector and sends data in standard TCP/IP packets. It is easily configured with a simple menu using a Web browser and can be password protected.

From within an Ethernet LAN or over the Internet, the user simply types the IP address or an easy-to-remember name such as "Cleanroom5" or "Server Room" in any Web browser, and the iTHX serves a Web page with the current readings.

Email Alarms

All OMEGA iTHX models that are on a LAN that is connected to the Internet can trigger an alarm that can be sent by email to a user or a distribution list anywhere in the world, including text messages to cell phones and PDA's.

Typical Applications

The OMEGA iTHX is great for monitoring temperature and humidity in applications such as: clean rooms, computer rooms, HVAC systems, pharmaceutical and food processing and storage, hospitals, laboratories, semiconductor labs, electronic assembly, warehousing, museums, manufacturing, greenhouses and, farm animal shelters.

OMEGA iServer products are designed and manufactured in the USA.

Sensor Specifications

RELATIVE HUMIDITY (RH)

Accuracy/Range:

- 10 to 90%: ±2%
- 5 to 10% and 90 to 95%: ±3%
- 0 to 5% and 95 to 100%: ±4%

Non-Linearity: ±3%

Hysteresis: ±1% RH

Response Time: 8 seconds, tau 63%

Repeatability: ±0.1%

Resolution: 0.1%, 12 bit

TEMPERATURE (T)

Accuracy/Range**:

Industrial Probe: (see chart in manual)
±0.5°C (±1°F) for 5 to 45°C (41 to 113°F);
±0.5 to ±1.5°C (±1 to ±2.7°F) for
-40 to 5°C and 45 to 124°C
(-40 to 41°F and 113 to 255°F)

** **Note:** Extended temperature range is for industrial probe only, the iServer's operating temperature is 0 to 70°C (32 to 158°F)

Response Time: 5 to 30 seconds, tau 63%

Repeatability: ±0.1°C

Resolution: 0.1°C, 14 bit

NIST-Traceable Calibration Certificate available.
In compliance with ISO9001:2008, ISO10012-1.1992(E), ANSI/NCSL Z540-1.1994 and MIL-STD-45662A.

Probe Specifications

iTHP-5, iTHP-2:

137 or 51 L x 16 mm Dia (5 or 2 x 0.63")

Housing Material: 316 SS

Cable: 3 or 0.9 m L (10 or 3')

Cable Operating Temperature:

-40 to 125°C (-40 to 257°F)

iServer Specifications

INTERFACES

Ethernet: 10 BASE-T (RJ45)

Sensor: Digital 4-wire;

8 pos screw terminal

Supported Protocols: TCP, UDP, ARP, ICMP, DHCP, DNS, HTTP, and Telnet

Embedded Web Server:

Serves Web pages containing real-time data and live updated charts within definable time intervals

Software: OPC Server; macro for datalogging in Excel program; compatible with Windows operating systems

Power

Input: 10 to 32 Vdc

Switching power supply (sold separately)

ENVIRONMENTAL

Operating Temperature:

0 to 70°C

(32 to 158°F)

Storage Temp:

-40 to 125°C

(-40 to 257°F)

Packaging

Material:

Polycarbonate case

with DIN rail mount

DIN rail mount

iDRN-PS-1000 \$150

✓ 24 Vdc Supply

✓ Switching Power Supply Powers Up to 7 Units



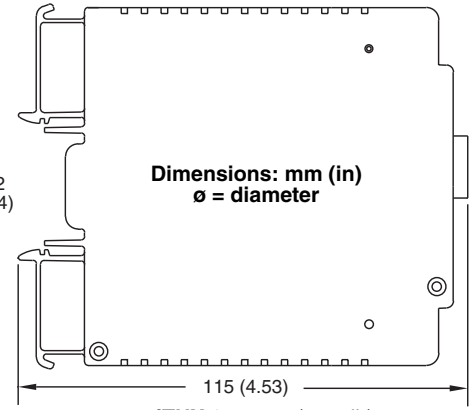
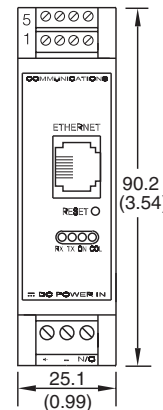
Industrial Probes shown smaller than actual size.



iTHP-5, \$125.

iTHP-2, \$115.

Mechanical Specifications



AVAILABLE FOR FAST DELIVERY!

To Order (Specify Model Number)

Model No.	Description	Price
iTHX-2	iServer MicroServer™ for temperature and humidity and dew point	\$295
*	Standard industrial probe 127 mm (5"), 3 m (10') cable (no entry required)	N/C
-2	Industrial probe 51 mm (2"), 0.9 m (3') cable [substitution for 127 mm (5") probe]	N/C
Accessories		
iTHP-2	Industrial probe 51 mm (2"), 0.9 m (3') cable	\$115
iTHP-5	Industrial probe 137 mm (5"), 3 m (10') cable	125
iP-PC	Polyethylene probe cap, for wet environments	N/C
iP-SC	Porous stainless steel probe cap, 5 um porosity, for dusty, pressurized (<35 psi) environments	25
iDRN-PS-1000	Power supply (switching), 95 to 240 Vac input, 24 Vdc output @ 850 mA (powers up to 7 units)	150
CAL-3-HU	NIST-traceable calibration certificate, 3 points of 25%, 50%, 75% RH, temperature 25°C (77°F), for new units	125
CAL-3-HU-DUAL	Same as CAL-3-HU, for new units with 2 probes	175
CT485B-CAL-KIT	Calibration kit, 33% and 75% RH standards	75
* -CAL-3-HU	Calibrated replacement probe and calibration certificate	50

* Volume discounts available.

Ordering Examples: iTHX-2, iServer MicroServer™ with temp and humidity and dew point, 127 mm (5") industrial probe, \$295.

iTHP-5-CAL-3-HU, calibrated replacement probe, with certificate, \$125 + 50 = \$150.



UNITED STATES

www.omega.com
1-800-TC-OMEGA
Stamford, CT.

CANADA

www.omega.ca
Laval(Quebec)
1-800-TC-OMEGA

GERMANY

www.omega.de
Deckenpfronn, Germany
0800-8266342

UNITED KINGDOM

www.omega.co.uk
Manchester, England
0800-488-488

FRANCE

www.omega.fr
Guyancourt, France
088-466-342

CZECH REPUBLIC

www.omegaeng.cz
Karviná, Czech Republic
596-311-899

BENELUX

www.omega.nl
Amstelveen, NL
0800-099-33-44



More than 100,000 Products Available!

• Temperature

Calibrators, Connectors, General Test and Measurement Instruments, Glass Bulb Thermometers, Handheld Instruments for Temperature Measurement, Ice Point References, Indicating Labels, Crayons, Cements and Lacquers, Infrared Temperature Measurement Instruments, Recorders Relative Humidity Measurement Instruments, RTD Probes, Elements and Assemblies, Temperature & Process Meters, Timers and Counters, Temperature and Process Controllers and Power Switching Devices, Thermistor Elements, Probes and Assemblies, Thermocouples Thermowells and Head and Well Assemblies, Transmitters, Wire

• Flow and Level

Air Velocity Indicators, Doppler Flowmeters, Level Measurement, Magnetic Flowmeters, Mass Flowmeters, Pitot Tubes, Pumps, Rotameters, Turbine and Paddle Wheel Flowmeters, Ultrasonic Flowmeters, Valves, Variable Area Flowmeters, Vortex Shedding Flowmeters

• pH and Conductivity

Conductivity Instrumentation, Dissolved Oxygen Instrumentation, Environmental Instrumentation, pH Electrodes and Instruments, Water and Soil Analysis Instrumentation

• Data Acquisition

Auto-Dialers and Alarm Monitoring Systems, Communication Products and Converters, Data Acquisition and Analysis Software, Data Loggers Plug-in Cards, Signal Conditioners, USB, RS232, RS485 and Parallel Port Data Acquisition Systems, Wireless Transmitters and Receivers

• Pressure, Strain and Force

Displacement Transducers, Dynamic Measurement Force Sensors, Instrumentation for Pressure and Strain Measurements, Load Cells, Pressure Gauges, Pressure Reference Section, Pressure Switches, Pressure Transducers, Proximity Transducers, Regulators, Strain Gages, Torque Transducers, Valves

• Heaters

Band Heaters, Cartridge Heaters, Circulation Heaters, Comfort Heaters, Controllers, Meters and Switching Devices, Flexible Heaters, General Test and Measurement Instruments, Heater Hook-up Wire, Heating Cable Systems, Immersion Heaters, Process Air and Duct, Heaters, Radiant Heaters, Strip Heaters, Tubular Heaters