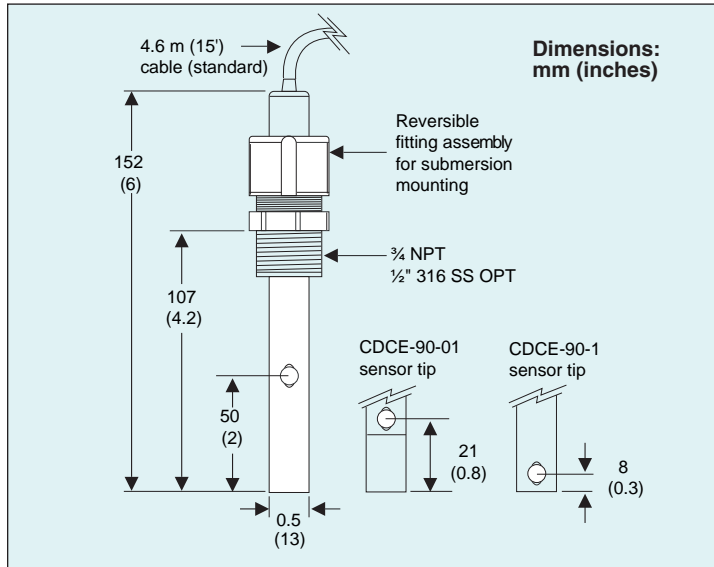




## Conductivity Cells for CDCN-91, CDTX-90 and CDCN-5800 Series



All shown smaller than actual size.

CDCE-90-001, \$298.

CDCE-90-01, \$298.

CDCE-90-1, \$298.

### CDCE-90-001, CDCE-90-01, CDCE-90-1

**Cell:**

- CDCE-90-001: 0.01
- CDCE-90-01: 0.1
- CDCE-90-1: 1.0

**Conductivity Range:**

- CDCE-90-001: 0.010 to 100  $\mu$ S (10 K $\Omega$  to 100 M $\Omega$ )
- CDCE-90-01: 1 to 1000  $\mu$ S
- CDCE-90-1: 10 to 10,000  $\mu$ S

**Temperature Compensation:** Pt1000

**Wetted Materials:**

- O-Rings: EPR
- Insulator Material: PTFE

**Electrodes:** 316 SS

**Standard Fitting:** Polypropylene

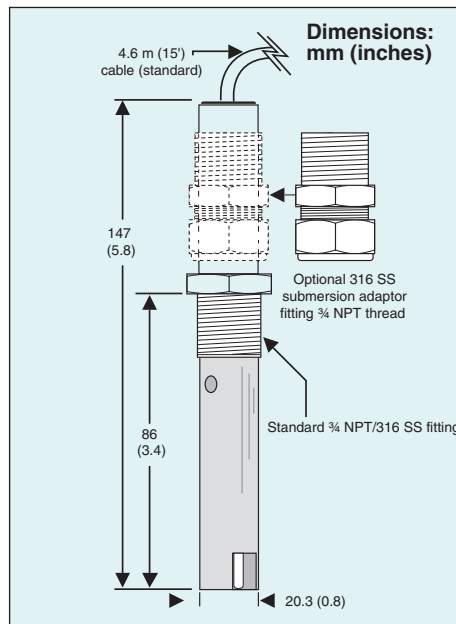
- Max. Pressure: 6.9 bar (100 psi)
- Max. Temperature: 100°C (212°F)

**Optional Fitting:**

- 316 SS 1/2 NPT
- Max Pressure: 13.8 bar (200 psi)
- Max Temperature: 120°C (248°F)

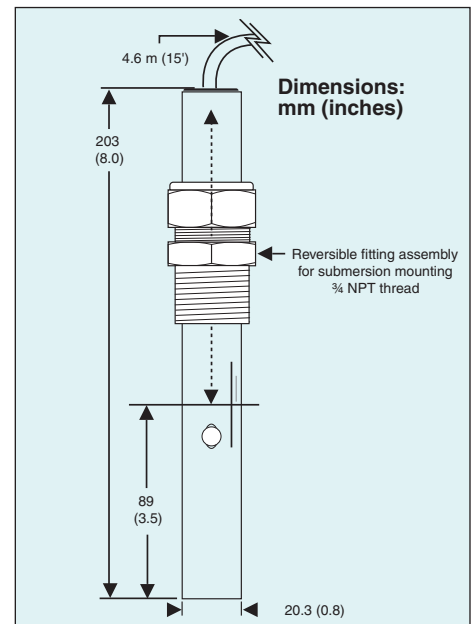


CDCE-90-10, \$511 (left), CDCE-90-20 (right), \$624, shown smaller than actual size.



### CDCE-90-10

- Cell Constant: 10.0
- Conductivity Range: 100 to 200,000  $\mu$ S
- Temperature Compensation: Pt1000
- O-Ring: EPR
- Insulator Material: CPVC
- Electrodes: 316 SS
- Fitting Material: 316 SS
- Maximum Pressure/Temperature: 100 psig @ 95°C (203°F)



### CDCE-90-20

- Cell Constant: 20.0
- Conductivity Range: 200 to 400,000  $\mu$ S
- Temperature Compensation: Pt1000
- O-Ring: EPR
- Insulator Material: PTFE
- Electrodes: 316 SS
- Fitting Material: 316 SS
- Maximum Pressure/Temperature: 100 psig @ 150°C (302°F)



## CDCE-90S-001, CDCE-90S-01, CDCE-90S-1

### Cell:

CDCE-90S-001: 0.01  
 CDCE-90S-01: 0.1  
 CDCE-90S-1: 1.0

### Conductivity Range:

CDCE-90S-001: 0.010 to 100  $\mu$ S  
 (10 K $\Omega$  to 100 M $\Omega$ )  
 CDCE-90S-01: 1 to 1000  $\mu$ S  
 CDCE-90S-1: 10 to 10,000  $\mu$ S

### Sanitary Fitting Size: 1, 1½, 2"

### Temperature Compensation: Pt1000

### Wetted Materials:

O-Ring: EPR

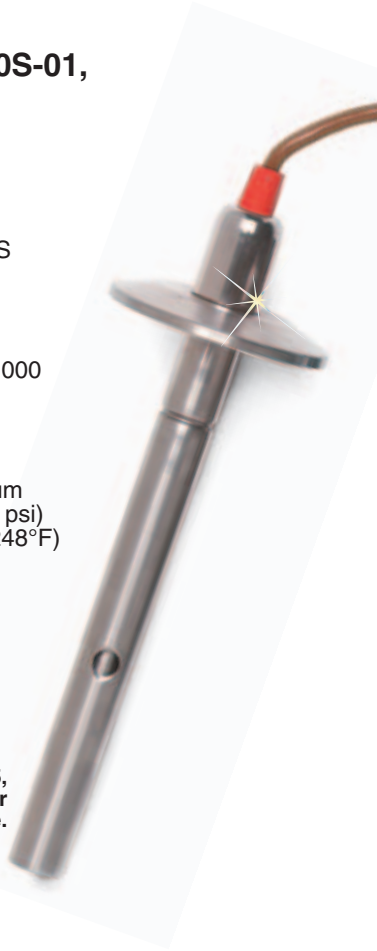
### Insulator Material: PTFE

### Electrodes: 316 SS or titanium

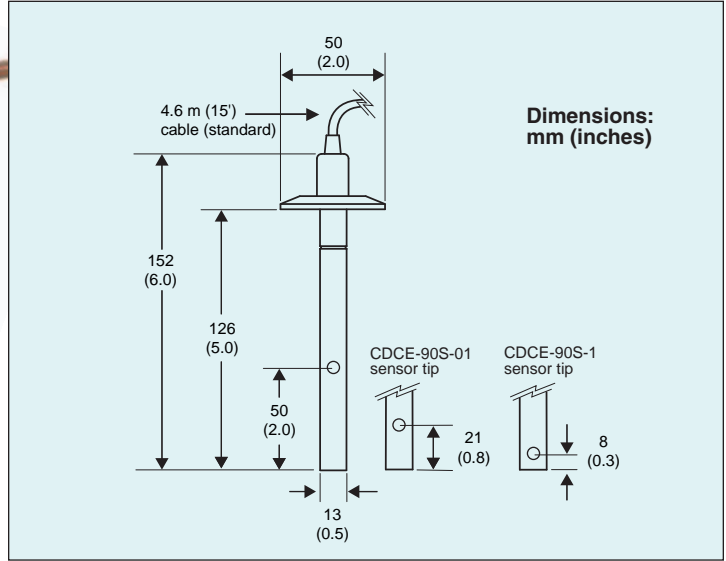
### Sanitary Fitting: 316 SS or titanium

### Maximum Pressure: 6.9 bar (100 psi)

### Maximum Temperature: 120°C (248°F)



CDCE-90S-001-S15,  
 \$607, shown smaller  
 than actual size.



\* Dimension shown for 1 and 1½" sanitary fittings.  
 Dimension for 2" sanitary fitting is 64 mm (2.5")

**MOST POPULAR MODELS HIGHLIGHTED!**

## To Order (Specify Model Number)

Model No.	Price	Fitting	Cell Constant	Material
CDCE-90-001	\$298	¼ NPT	0.01	316 SS
CDCE-90-01	298	¼ NPT	0.1	316 SS
CDCE-90-1	298	¼ NPT	1	316 SS
CDCE-90-10	511	¼ NPT	10	316 SS
CDCE-90-20	624	¼ NPT	20	316 SS
CDCE-90S-001-S15	607	1.5" Sanitary	0.01	316 SS
CDCE-90S-1-S15	607	1.5" Sanitary	1	316 SS
CDCE-90S-001-S20	718	2.0" Sanitary	0.01	316 SS
CDCE-90S-01-S20	718	2.0" Sanitary	0.1	316 SS
CDCE-90S-1-S20	718	2.0" Sanitary	1	316 SS
CDCE-90S-001-T15	850	1.5" Sanitary	0.01	Titanium
CDCE-90S-01-T15	850	1.5" Sanitary	0.1	Titanium
CDCE-90S-1-T15	850	1.5" Sanitary	1	Titanium
CDCE-90S-001-T20	960	2.0" Sanitary	0.01	Titanium
CDCE-90S-01-T20	960	2.0" Sanitary	0.1	Titanium
CDCE-90S-1-T20	960	2.0" Sanitary	1	Titanium

\* For extended cable add "-100" to model number, consult Sales for price.



#### UNITED STATES

[www.omega.com](http://www.omega.com)  
1-800-TC-OMEGA  
Stamford, CT.

#### CANADA

[www.omega.ca](http://www.omega.ca)  
Laval(Quebec)  
1-800-TC-OMEGA

#### GERMANY

[www.omega.de](http://www.omega.de)  
Deckenpfronn, Germany  
0800-8266342

#### UNITED KINGDOM

[www.omega.co.uk](http://www.omega.co.uk)  
Manchester, England  
0800-488-488

#### FRANCE

[www.omega.fr](http://www.omega.fr)  
Guyancourt, France  
088-466-342

#### CZECH REPUBLIC

[www.omegaeng.cz](http://www.omegaeng.cz)  
Karviná, Czech Republic  
596-311-899

#### BENELUX

[www.omega.nl](http://www.omega.nl)  
Amstelveen, NL  
0800-099-33-44



## More than 100,000 Products Available!

### • Temperature

Calibrators, Connectors, General Test and Measurement Instruments, Glass Bulb Thermometers, Handheld Instruments for Temperature Measurement, Ice Point References, Indicating Labels, Crayons, Cements and Lacquers, Infrared Temperature Measurement Instruments, Recorders Relative Humidity Measurement Instruments, RTD Probes, Elements and Assemblies, Temperature & Process Meters, Timers and Counters, Temperature and Process Controllers and Power Switching Devices, Thermistor Elements, Probes and Assemblies, Thermocouples Thermowells and Head and Well Assemblies, Transmitters, Wire

### • Flow and Level

Air Velocity Indicators, Doppler Flowmeters, Level Measurement, Magnetic Flowmeters, Mass Flowmeters, Pitot Tubes, Pumps, Rotameters, Turbine and Paddle Wheel Flowmeters, Ultrasonic Flowmeters, Valves, Variable Area Flowmeters, Vortex Shedding Flowmeters

### • pH and Conductivity

Conductivity Instrumentation, Dissolved Oxygen Instrumentation, Environmental Instrumentation, pH Electrodes and Instruments, Water and Soil Analysis Instrumentation

### • Data Acquisition

Auto-Dialers and Alarm Monitoring Systems, Communication Products and Converters, Data Acquisition and Analysis Software, Data Loggers Plug-in Cards, Signal Conditioners, USB, RS232, RS485 and Parallel Port Data Acquisition Systems, Wireless Transmitters and Receivers

### • Pressure, Strain and Force

Displacement Transducers, Dynamic Measurement Force Sensors, Instrumentation for Pressure and Strain Measurements, Load Cells, Pressure Gauges, Pressure Reference Section, Pressure Switches, Pressure Transducers, Proximity Transducers, Regulators, Strain Gages, Torque Transducers, Valves

### • Heaters

Band Heaters, Cartridge Heaters, Circulation Heaters, Comfort Heaters, Controllers, Meters and Switching Devices, Flexible Heaters, General Test and Measurement Instruments, Heater Hook-up Wire, Heating Cable Systems, Immersion Heaters, Process Air and Duct, Heaters, Radiant Heaters, Strip Heaters, Tubular Heaters