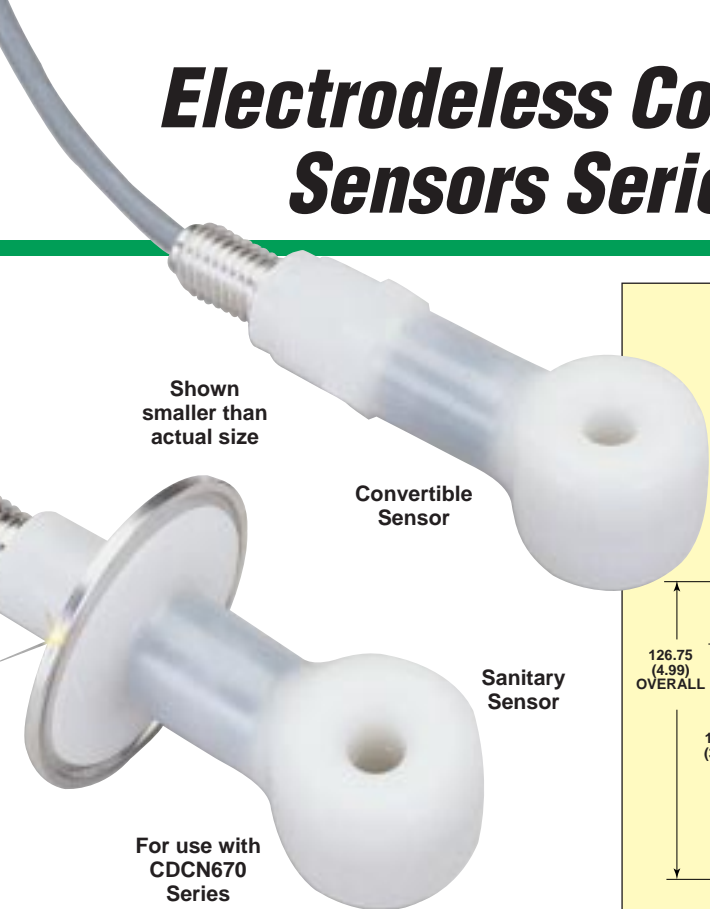


Electrodeless Conductivity Sensors Series CDE-3600

CDE-3600 Series

\$425

Basic Unit

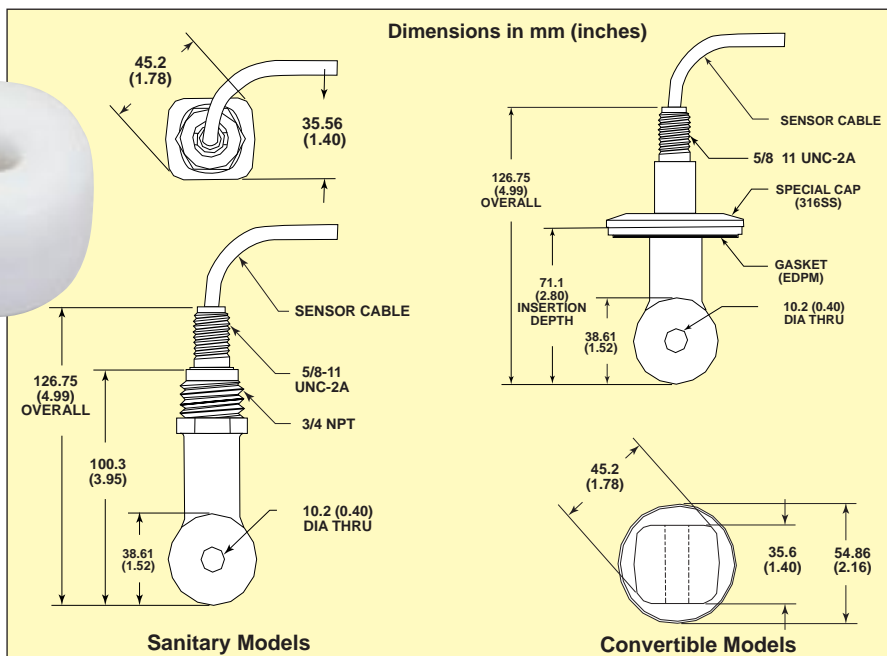


Shown smaller than actual size

Convertible Sensor

Sanitary Sensor

For use with CDCN670 Series



- ✔ **Wide Measuring Range**
- ✔ **Non-Conductive Chemically Resistive Wetted Materials**
- ✔ **Low Maintenance**
- ✔ **Convertible Sensor for Submersion or Mounting in 2-Inch Tee**
- ✔ **Sanitary Models Available**

Measuring Range: From 200 to 2,000,000 microSiemens/cm
Temperature Compensator: Pt 1000 RTD

Sensor Cable: 5-conductor (plus two isolated shields) cable with XLPE (cross-linked polyethylene) jacket; rated to 150°C (302°F); 6 m (20') long

Pressure/Temperature Limits (Sensor Only, Hardware Not Included)

Polypropylene	6.9 bar at 100°C (100 psi at 212°F)
PVDF	6.9 bar at 120°C (100 psi at 248°F)
PFA	13.8 bar at 150°C (200 psi at 302°F)

MOST POPULAR MODELS HIGHLIGHTED!

To Order (Specify Model No.)			
Model No.	Price	Wetted Material	Type
CDE-3625P	\$425	Polypropylene	Convertible
CDE-3626K	545	PVDF (Kynar)	Convertible
CDE-3628T	635	PFA	Convertible
CDE-3605P	475	Polypropylene	Sanitary
CDE-3606K	595	PVDF (Kynar)	Sanitary
CDE-3608T	685	PFA	Sanitary

Standard cable length is 6 m (20'). See CDCN670/680 for compatible controllers.
Ordering Example: CDE-3625P, polypropylene convertible sensor with 6 m (20') of cable \$425.

Chemical resistance problems are simplified because only one wetted material contacts the process media. Furthermore, the wetted material is non-conductive, to electrically isolate the sensor from the process fluid, eliminating ground loops that can affect measurement accuracy. The electrodeless sensor design eliminates polarization and electrode coating problems that commonly affect conventional contacting electrode-type conductivity sensors.

Specifications

Wetted Materials: Polypropylene, PVDF, or PFA
Operating Temperature Range: -10 to 125°C (14 to 257°F)
Maximum Flow Rate: 3 m (10') per sec.

Accessories (Convertible Sensors)

Model No.	Price	Type	Description
CDE-36338S	600	Union mount hardware (for standard 2" tee)	316SS union adaptor with 2" tee
CDE-36338	160		CPVC union adaptor with 2" tee
CDE-3600-JBOX	45		Junction box for union mount

Accessories (Sanitary Sensors)

Model No.	Price	Description
CDE-36048	\$345	304SS sanitary 2" tee and heavy duty clamp
CDE-36132	95	Spare sanitary clamp



UNITED STATES

www.omega.com
1-800-TC-OMEGA
Stamford, CT.

CANADA

www.omega.ca
Laval(Quebec)
1-800-TC-OMEGA

GERMANY

www.omega.de
Deckenpfronn, Germany
0800-8266342

UNITED KINGDOM

www.omega.co.uk
Manchester, England
0800-488-488

FRANCE

www.omega.fr
Guyancourt, France
088-466-342

CZECH REPUBLIC

www.omegaeng.cz
Karviná, Czech Republic
596-311-899

BENELUX

www.omega.nl
Amstelveen, NL
0800-099-33-44



More than 100,000 Products Available!

• Temperature

Calibrators, Connectors, General Test and Measurement Instruments, Glass Bulb Thermometers, Handheld Instruments for Temperature Measurement, Ice Point References, Indicating Labels, Crayons, Cements and Lacquers, Infrared Temperature Measurement Instruments, Recorders Relative Humidity Measurement Instruments, RTD Probes, Elements and Assemblies, Temperature & Process Meters, Timers and Counters, Temperature and Process Controllers and Power Switching Devices, Thermistor Elements, Probes and Assemblies, Thermocouples Thermowells and Head and Well Assemblies, Transmitters, Wire

• Flow and Level

Air Velocity Indicators, Doppler Flowmeters, Level Measurement, Magnetic Flowmeters, Mass Flowmeters, Pitot Tubes, Pumps, Rotameters, Turbine and Paddle Wheel Flowmeters, Ultrasonic Flowmeters, Valves, Variable Area Flowmeters, Vortex Shedding Flowmeters

• pH and Conductivity

Conductivity Instrumentation, Dissolved Oxygen Instrumentation, Environmental Instrumentation, pH Electrodes and Instruments, Water and Soil Analysis Instrumentation

• Data Acquisition

Auto-Dialers and Alarm Monitoring Systems, Communication Products and Converters, Data Acquisition and Analysis Software, Data Loggers Plug-in Cards, Signal Conditioners, USB, RS232, RS485 and Parallel Port Data Acquisition Systems, Wireless Transmitters and Receivers

• Pressure, Strain and Force

Displacement Transducers, Dynamic Measurement Force Sensors, Instrumentation for Pressure and Strain Measurements, Load Cells, Pressure Gauges, Pressure Reference Section, Pressure Switches, Pressure Transducers, Proximity Transducers, Regulators, Strain Gages, Torque Transducers, Valves

• Heaters

Band Heaters, Cartridge Heaters, Circulation Heaters, Comfort Heaters, Controllers, Meters and Switching Devices, Flexible Heaters, General Test and Measurement Instruments, Heater Hook-up Wire, Heating Cable Systems, Immersion Heaters, Process Air and Duct, Heaters, Radiant Heaters, Strip Heaters, Tubular Heaters