

ELECTRONIC DRAIN VALVES

DVT-1
Starts at
\$171



- ✓ 100% Continuous Duty Cycle
- ✓ 8 W, 120 Vac Coil Standard
- ✓ LED Indicator

OMEGA's DVT electronic drain feature external adjustable timing from 1 to 15 seconds on timing and 1 to 45 minutes off timing. Units have manual test/override button and light diodes for mode of operation. The timers can be used for voltages from 24 to 240/50 to 60 Hz.



DVT-1, \$171, shown larger than actual size.

SPECIFICATIONS

Mounting Position: Any (preferably with solenoid system upright)

ON Time: Adjustable 1 to 15 seconds

OFF Time: Adjustable 1 to 45 minutes

Power: 115 Vac, 60 Hz

Voltage Tolerance: ±10%

Min/Max Temperature: 1 to 54°C (35 to 130°F)

Duty Cycle: Continuous (100%)

Coil Molding Material:

Black Polyester (Class F):

SV8COIL-115 AC

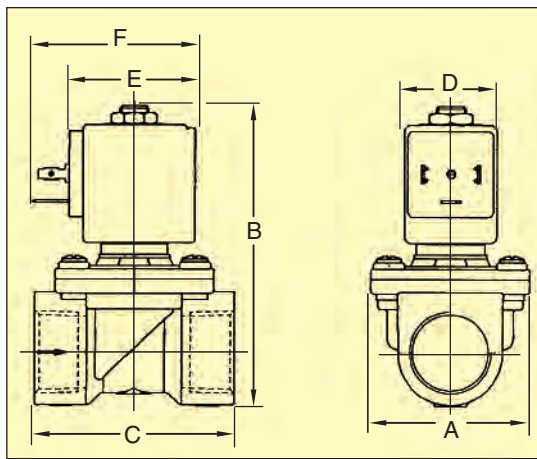
SV8COIL-220 AC

Black Epoxy Resin (Class H):

All 14 Watt coils

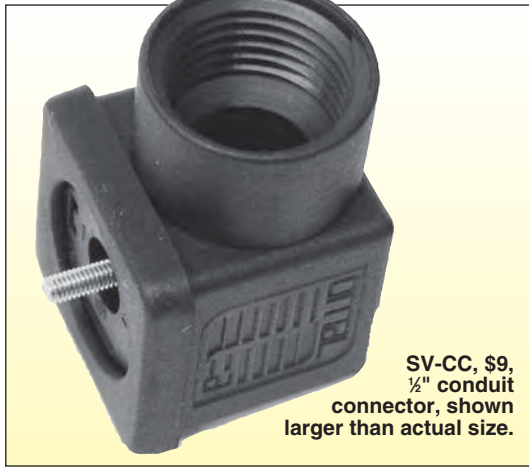
Valve Materials of Construction	
Body	Brass
Armature Tube	Stainless Steel 300
Fixed Core	Stainless Steel 400
Plunger	Stainless Steel 400
Spring	Stainless Steel 300
Shading Ring	Copper
Orifice	Brass

Coil Specifications		
Watt	Inrush VA	Holding VA
8	25	14.5
12	36	23
14	43	27

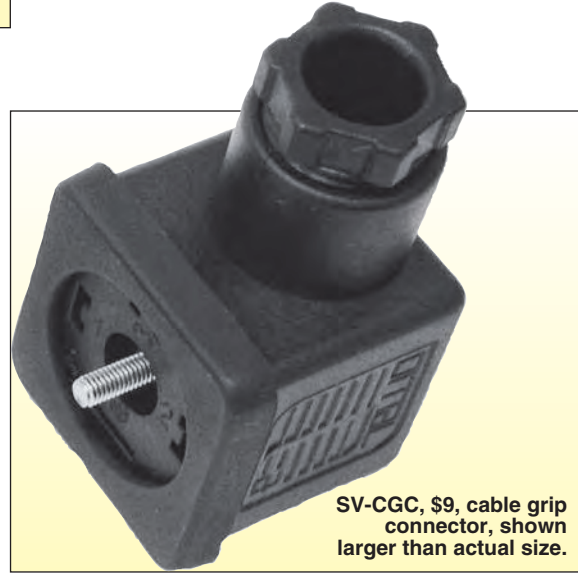


Valve Dimensions			
Model No.	A	B	C
DVT-1, -2			2"
DVT-3	1 ¹ / ₁₆ "	3 ³ / ₁₆ "	2"
DVT-4			2 ² / ₃₂ "

Coil Dimensions			
Watt	D	E	F
8	1 ³ / ₁₆ "	1 ² / ₃₂ "	2 ¹ / ₈ "
12	1 ⁷ / ₁₆ "	1 ²⁹ / ₃₂ "	2 ³ / ₈ "
14	2 ¹ / ₁₆ "	2 ⁷ / ₃₂ "	2 ² / ₃₂ "



SV-CC, \$9,
1/2" conduit
connector, shown
larger than actual size.



SV-CGC, \$9, cable grip
connector, shown
larger than actual size.

MOST POPULAR MODELS HIGHLIGHTED!

To Order (Specify Model Number)

							Operating Pressure	
							M.O.P.D.*	
Model No.	Price	Pipe Size NPT	Orifice Size	Cv Flow Factor	O-ring	Power (watt)	MIN psi	AC psi
Normally Closed								
DVT-1	\$171	1/4	1/8"	0.24	FKM	8	0	175
DVT-2	205	1/4	7/16"	1.5	FKM	8	2	300
DVT-3	205	3/8	7/16"	1.7	FKM	8	2	300
DVT-4	205	1/2	7/16"	1.7	FKM	8	2	300

*Maximum operating pressure differential.

Accessories

Model No.	Price	Description
Connectors		
SV-CGC	\$9	Cable grip connector
SV-CC	9	1/2" conduit connector
Coils		
SV8COIL-115AC	\$20	Replacement 8W coil for 110 to 120 Vac/50 to 60 Hz 154°C (310°F) (Class F)
SV8COIL-220AC	20	8W coil for 220 to 240/50 to 60 Hz 154°C (310°F) (Class F)
SV8COIL-115/60HZ	28	8W coil for 115/60 Hz 182°C (360°F) (Class H)

Comes complete with operator's manual and cable grip connector.
Ordering Examples: DVT-2, 1/4 NPT Valve with electronic timer, \$205.
 DVT-1, 1/8 NPT Valve with electronic timer, \$171.

Recommended Reference Book: Valve Handbook,
FW-306, \$135
 See Section Y For Additional Books





UNITED STATES

www.omega.com
1-800-TC-OMEGA
Stamford, CT.

CANADA

www.omega.ca
Laval(Quebec)
1-800-TC-OMEGA

GERMANY

www.omega.de
Deckenpfronn, Germany
0800-8266342

UNITED KINGDOM

www.omega.co.uk
Manchester, England
0800-488-488

FRANCE

www.omega.fr
Guyancourt, France
088-466-342

CZECH REPUBLIC

www.omegaeng.cz
Karviná, Czech Republic
596-311-899

BENELUX

www.omega.nl
Amstelveen, NL
0800-099-33-44



More than 100,000 Products Available!

• Temperature

Calibrators, Connectors, General Test and Measurement Instruments, Glass Bulb Thermometers, Handheld Instruments for Temperature Measurement, Ice Point References, Indicating Labels, Crayons, Cements and Lacquers, Infrared Temperature Measurement Instruments, Recorders Relative Humidity Measurement Instruments, RTD Probes, Elements and Assemblies, Temperature & Process Meters, Timers and Counters, Temperature and Process Controllers and Power Switching Devices, Thermistor Elements, Probes and Assemblies, Thermocouples Thermowells and Head and Well Assemblies, Transmitters, Wire

• Flow and Level

Air Velocity Indicators, Doppler Flowmeters, Level Measurement, Magnetic Flowmeters, Mass Flowmeters, Pitot Tubes, Pumps, Rotameters, Turbine and Paddle Wheel Flowmeters, Ultrasonic Flowmeters, Valves, Variable Area Flowmeters, Vortex Shedding Flowmeters

• pH and Conductivity

Conductivity Instrumentation, Dissolved Oxygen Instrumentation, Environmental Instrumentation, pH Electrodes and Instruments, Water and Soil Analysis Instrumentation

• Data Acquisition

Auto-Dialers and Alarm Monitoring Systems, Communication Products and Converters, Data Acquisition and Analysis Software, Data Loggers Plug-in Cards, Signal Conditioners, USB, RS232, RS485 and Parallel Port Data Acquisition Systems, Wireless Transmitters and Receivers

• Pressure, Strain and Force

Displacement Transducers, Dynamic Measurement Force Sensors, Instrumentation for Pressure and Strain Measurements, Load Cells, Pressure Gauges, Pressure Reference Section, Pressure Switches, Pressure Transducers, Proximity Transducers, Regulators, Strain Gages, Torque Transducers, Valves

• Heaters

Band Heaters, Cartridge Heaters, Circulation Heaters, Comfort Heaters, Controllers, Meters and Switching Devices, Flexible Heaters, General Test and Measurement Instruments, Heater Hook-up Wire, Heating Cable Systems, Immersion Heaters, Process Air and Duct, Heaters, Radiant Heaters, Strip Heaters, Tubular Heaters