

GENERAL PURPOSE PURGE ROTAMETERS

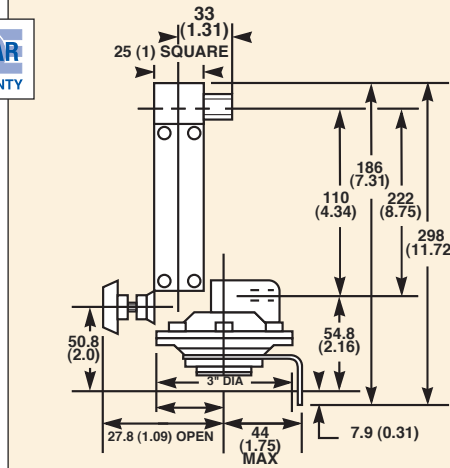
CAPACITIES: FL-1300: 0.034 to 85 SCFH of Air/0.0046 to 19 GPH of Water
FL-1400: 14.6 to 43,000 cc/min of Air/249 to 1350 cc/min of Water

FL-1300/FL-1400 Series
Starts at

\$725



- ✓ ±5% Full Scale Accuracy (FL-1400)
- ✓ ±10% Full Scale Accuracy (FL-1300)
- ✓ ±½% Full Scale Repeatability
- ✓ Integral Flow Controller Standard
- ✓ Compact 65 mm (2.6") Scale for FL-1300 or Large 150 mm (5.9") Scale for FL-1400



FL-1300 and FL-1400 Series Dimensions: mm (in)

Flow controller for varying upstream pressure with constant downstream pressure.

FL-1300 Series rotameters are supplied with an easy-to-read 65 mm (2.6") scale. The FL-1400 Series features a large, easy-to-read 150 mm (5.9") scale,

with correlation charts for air and water. The integral flow controller (for both the FL-1300 and FL-1400 Series) maintains a set flow rate when upstream line pressure varies.

FL-1401, \$800, shown smaller than actual size.

FL-1300 Series MOST POPULAR MODELS HIGHLIGHTED!

To Order (Specify Model Number)

Air Model No.	Price	Range (SCFH)	Water Model No.	Price	Range (GPH)
FL-1301	\$725	0.034 to 0.34	FL-1311	\$725	0.0046 to 0.046
FL-1302	725	0.042 to 0.42	FL-1312	725	0.006 to 0.06
FL-1303	725	0.2 to 2.0	FL-1313	725	0.038 to 0.38
FL-1304	725	0.75 to 7.5	FL-1314	725	0.16 to 1.6
FL-1305	725	2.6 to 26	FL-1315	725	0.55 to 5.5
FL-1306	725	8.5 to 85	FL-1316	725	1.9 to 19

For units with brass ends, add suffix "-B" to model number. Price = \$420.

FL-1400 Series

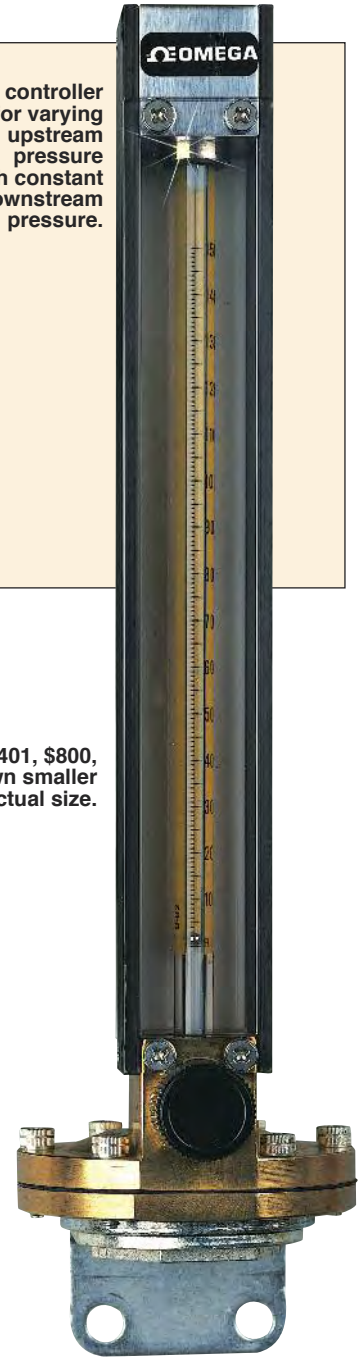
Model No.	Price	Ranges	
		Air (cc/min)	Water (cc/min)
FL-1401	\$800	14.6 to 146	0.249 to 24.9
FL-1402	800	26.5 to 265	0.493 to 4.93
FL-1403	800	82 to 820	2.06 to 20.6
FL-1404	800	168 to 1680	4.62 to 46.2
FL-1405	800	460 to 4600	13.3 to 133
FL-1406	800	760 to 7600	21.8 to 218
FL-1407	800	1640 to 16,400	49.3 to 493
FL-1408	800	4300 to 43,000	135 to 1350

Comes complete with operator's manual and correlation charts for air and water.

For units with brass ends, add suffix "-B" to model number, \$490.

Ordering Examples: FL-1303, 0.2 to 2.0 SCFH 65 mm scale, \$725.

FL-1405, 460 to 4600 cc/min for air, 13.3 to 133 cc/min for water, 150 mm scale, \$800.



SPECIFICATIONS

Metering Tube: Borosilicate glass

Float: 316 stainless steel

End Fittings: 316 SS (standard)

Chrome-plated brass (optional)

O-Rings and Tube Packing:

FKM (316 SS fittings);

neoprene (brass fittings)

Max. Pressure:

13.8 bar (200 psig) up to 121°C (250°F)

Connections: Horizontal female ¼ NPT

Recommended Reference Book: Engineering Fluid Mechanics, FW-0112, \$103. See Section Y for Additional Books.





UNITED STATES

www.omega.com
1-800-TC-OMEGA
Stamford, CT.

CANADA

www.omega.ca
Laval(Quebec)
1-800-TC-OMEGA

GERMANY

www.omega.de
Deckenpfronn, Germany
0800-8266342

UNITED KINGDOM

www.omega.co.uk
Manchester, England
0800-488-488

FRANCE

www.omega.fr
Guyancourt, France
088-466-342

CZECH REPUBLIC

www.omegaeng.cz
Karviná, Czech Republic
596-311-899

BENELUX

www.omega.nl
Amstelveen, NL
0800-099-33-44



More than 100,000 Products Available!

• Temperature

Calibrators, Connectors, General Test and Measurement Instruments, Glass Bulb Thermometers, Handheld Instruments for Temperature Measurement, Ice Point References, Indicating Labels, Crayons, Cements and Lacquers, Infrared Temperature Measurement Instruments, Recorders Relative Humidity Measurement Instruments, RTD Probes, Elements and Assemblies, Temperature & Process Meters, Timers and Counters, Temperature and Process Controllers and Power Switching Devices, Thermistor Elements, Probes and Assemblies, Thermocouples Thermowells and Head and Well Assemblies, Transmitters, Wire

• Flow and Level

Air Velocity Indicators, Doppler Flowmeters, Level Measurement, Magnetic Flowmeters, Mass Flowmeters, Pitot Tubes, Pumps, Rotameters, Turbine and Paddle Wheel Flowmeters, Ultrasonic Flowmeters, Valves, Variable Area Flowmeters, Vortex Shedding Flowmeters

• pH and Conductivity

Conductivity Instrumentation, Dissolved Oxygen Instrumentation, Environmental Instrumentation, pH Electrodes and Instruments, Water and Soil Analysis Instrumentation

• Data Acquisition

Auto-Dialers and Alarm Monitoring Systems, Communication Products and Converters, Data Acquisition and Analysis Software, Data Loggers Plug-in Cards, Signal Conditioners, USB, RS232, RS485 and Parallel Port Data Acquisition Systems, Wireless Transmitters and Receivers

• Pressure, Strain and Force

Displacement Transducers, Dynamic Measurement Force Sensors, Instrumentation for Pressure and Strain Measurements, Load Cells, Pressure Gauges, Pressure Reference Section, Pressure Switches, Pressure Transducers, Proximity Transducers, Regulators, Strain Gages, Torque Transducers, Valves

• Heaters

Band Heaters, Cartridge Heaters, Circulation Heaters, Comfort Heaters, Controllers, Meters and Switching Devices, Flexible Heaters, General Test and Measurement Instruments, Heater Hook-up Wire, Heating Cable Systems, Immersion Heaters, Process Air and Duct, Heaters, Radiant Heaters, Strip Heaters, Tubular Heaters