

HEAVY-DUTY INDUSTRIAL ROTAMETERS

**CAPACITIES: 0.055 to 6.28 GPM of Water,
0.22 to 25.76 SCFM of Air**

FL-1600A Series
Starts at

\$1250

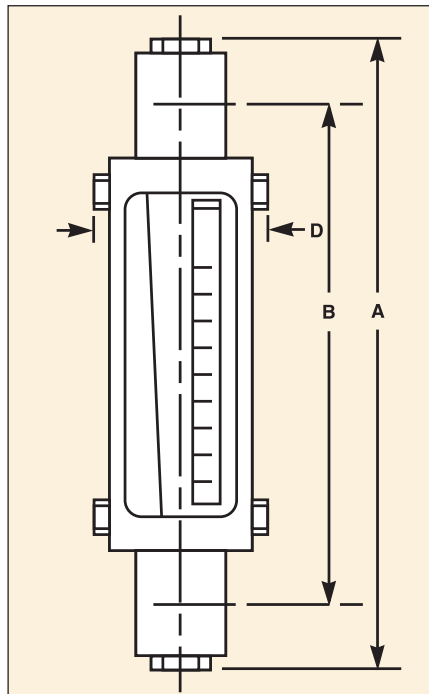


- ✓ ±2% FS Accuracy
- ✓ ±½% FS Repeatability
- ✓ Dowel-Pin, Side-Plate Construction
- ✓ 10 to 100% of Flow Scale
- ✓ Correlation Equations Permit Use with Any Fluid
- ✓ Packing Glands for Industrial Installations
- ✓ Shielded for Use in Pressurized Systems
- ✓ Horizontal Ports for Panel Mounting

OMEGA® FL-1600 industrial flowmeters are designed for high-accuracy industrial uses. They feature dowel-pin, side-plate construction and externally adjustable packing glands for use in industrial piping systems.

SPECIFICATIONS

Metering Tube: Borosilicate glass
Floats: 316 SS



End Fittings: 316 SS standard
Packing Material:

316 SS Meters: PTFA

O-Rings: PTFA

Side Plates: Aluminum

Gland Rings: Steel

Safety Glass Windows:

Aluminum frames

Gland Followers: Aluminum

Scale: 250 mm (9.8"), detachable metal plate

Accuracy: ±2% FS

Repeatability: ±0.5% FS

Max Temp: 121°C (250°F)

For correlation with other fluids, see page B-7.



FL-1601A, \$1250, shown much smaller than actual size.

Dimensions: mm (in)

Model No.	A	B	D
FL-1601A, 1602A	518 (20.4)	419 (16.5)	83 (3.3)
FL-1603A	559 (22)	445 (17.5)	95 (3.8)
FL-1604A, 1605A	581 (22.9)	445 (17.5)	108 (4.3)

MOST POPULAR MODELS HIGHLIGHTED!

To Order (Specify Model Number)

Model No.	Price	Range Air (SCFM)	Range Water (GPM)	Pressure Drop (H ₂ O)	Max Pressure (psig)	Ports FNPT
FL-1601A	\$1250	0.22 to 2.22	0.055 to 0.55	3"	300	½
FL-1602A	1250	0.428 to 4.28	0.10 to 1.04	9"	300	½
FL-1603A	1500	0.796 to 7.96	0.19 to 1.90	6"	175	¾
FL-1604A	1600	1.80 to 18.05	0.45 to 4.54	9"	100	¾
FL-1605A	1600	2.5 to 25.76	0.63 to 6.28	13"	100	¾

Ordering Examples: FL-1602A, rotameter, 0.428 to 4.28 SCFM air and 0.10 to 1.04 GPM water, \$1250.

FL-1603A, rotameter, 0.796 to 7.96 SCFM air and 0.19 to 1.90 GPM water, \$1500.

Recommended Reference Book: An Introduction to Water Quality Modeling, ES-1026, \$180. See Section Y for Additional Books.





UNITED STATES

www.omega.com
1-800-TC-OMEGA
Stamford, CT.

CANADA

www.omega.ca
Laval(Quebec)
1-800-TC-OMEGA

GERMANY

www.omega.de
Deckenpfronn, Germany
0800-8266342

UNITED KINGDOM

www.omega.co.uk
Manchester, England
0800-488-488

FRANCE

www.omega.fr
Guyancourt, France
088-466-342

CZECH REPUBLIC

www.omegaeng.cz
Karviná, Czech Republic
596-311-899

BENELUX

www.omega.nl
Amstelveen, NL
0800-099-33-44



More than 100,000 Products Available!

• Temperature

Calibrators, Connectors, General Test and Measurement Instruments, Glass Bulb Thermometers, Handheld Instruments for Temperature Measurement, Ice Point References, Indicating Labels, Crayons, Cements and Lacquers, Infrared Temperature Measurement Instruments, Recorders Relative Humidity Measurement Instruments, RTD Probes, Elements and Assemblies, Temperature & Process Meters, Timers and Counters, Temperature and Process Controllers and Power Switching Devices, Thermistor Elements, Probes and Assemblies, Thermocouples Thermowells and Head and Well Assemblies, Transmitters, Wire

• Flow and Level

Air Velocity Indicators, Doppler Flowmeters, Level Measurement, Magnetic Flowmeters, Mass Flowmeters, Pitot Tubes, Pumps, Rotameters, Turbine and Paddle Wheel Flowmeters, Ultrasonic Flowmeters, Valves, Variable Area Flowmeters, Vortex Shedding Flowmeters

• pH and Conductivity

Conductivity Instrumentation, Dissolved Oxygen Instrumentation, Environmental Instrumentation, pH Electrodes and Instruments, Water and Soil Analysis Instrumentation

• Data Acquisition

Auto-Dialers and Alarm Monitoring Systems, Communication Products and Converters, Data Acquisition and Analysis Software, Data Loggers Plug-in Cards, Signal Conditioners, USB, RS232, RS485 and Parallel Port Data Acquisition Systems, Wireless Transmitters and Receivers

• Pressure, Strain and Force

Displacement Transducers, Dynamic Measurement Force Sensors, Instrumentation for Pressure and Strain Measurements, Load Cells, Pressure Gauges, Pressure Reference Section, Pressure Switches, Pressure Transducers, Proximity Transducers, Regulators, Strain Gages, Torque Transducers, Valves

• Heaters

Band Heaters, Cartridge Heaters, Circulation Heaters, Comfort Heaters, Controllers, Meters and Switching Devices, Flexible Heaters, General Test and Measurement Instruments, Heater Hook-up Wire, Heating Cable Systems, Immersion Heaters, Process Air and Duct, Heaters, Radiant Heaters, Strip Heaters, Tubular Heaters