

LOW COST GENERAL PURPOSE PURGE ROTAMETERS

with Non-Metal Construction

FL-77AHV
\$136



- ✓ Accuracy:
65 mm (2.6") ±6%;
150 mm (5.9") ±4%
- ✓ Connections: 1/8" (F)NPT

The OMEGA® FL-77 and FL-78 general purpose rotameters feature 65 or 150 mm (2.6 or 5.9") ribbed borosilicate glass tubes and employ PVC end fittings for economy.

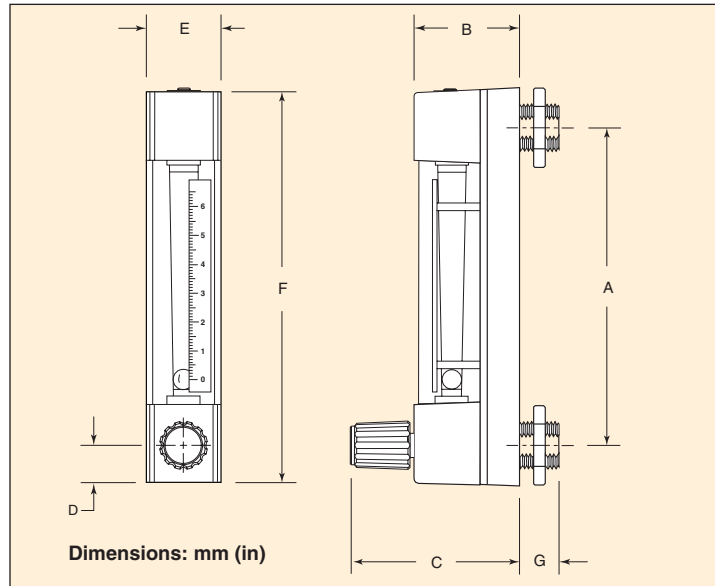
SPECIFICATIONS

Metering Tube: Borosilicate glass
End Fitting: PVC
Compression Seals: Viton® std.;
 Kalrez® opt.
Float: Glass
Float Stops: PTFE
Valve Assembly: PVC
Max. Temp./Pressure:
 21°C (70°F) @ 130 psig,
 38°C (100°F) @ 0 psig

Detail Letter	Scale Length	
	65 mm (2.6")	150 mm (5.9")
A	115 (4.525)	224 (8.825)
B	38 (1.5)	38 (1.5)
C	64 (2.5)	64 (2.5)
D	15 (0.6)	15 (0.6)
E	38 (1.5)	38 (1.5)
F	147 (5.8)	254 (10)
G	15 (0.6)	15 (0.6)



FL-78GHV, \$196,
shown smaller
than actual size.



MOST POPULAR MODELS HIGHLIGHTED!

To Order (Specify Model Number)			
Model No. 65 mm (2.6")	Price	Max. Flow (cc/min)*	
		Air	Water
FL-77AHV	\$136	66	0.72
FL-77BHV	136	76	1.15
FL-77CHV	136	525	9.0
FL-77DHV	136	2000	44
FL-77EHV	136	6800	160
FL-77FHV	136	19000	520
Model No. 50 mm (5.9")	Price	Air	Water
FL-78GHV	\$196	54	0.54
FL-78HHV	196	106	1.24
FL-78JHV	196	350	4.7
FL-78KHV	196	850	16.5
FL-78LHV	196	2150	52
FL-78MHV	196	3800	86
FL-78NHV	196	9000	215
FL-78PHV	196	20500	580

Comes with complete operator's manual and correlation sheets for air and water.

*Minimum flowrate = 10% of maximum listed

Ordering Examples: FL-78GHV, general purpose 150 mm (5.9") rotameter with a max. flowrate of 54 cc/min air, 0.54 cc/min water, \$196;
 FL-77AHV, 65 mm rotameter with a max flow of 66 cc/min air, 0.72 cc/min water, \$136



UNITED STATES

www.omega.com
1-800-TC-OMEGA
Stamford, CT.

CANADA

www.omega.ca
Laval(Quebec)
1-800-TC-OMEGA

GERMANY

www.omega.de
Deckenpfronn, Germany
0800-8266342

UNITED KINGDOM

www.omega.co.uk
Manchester, England
0800-488-488

FRANCE

www.omega.fr
Guyancourt, France
088-466-342

CZECH REPUBLIC

www.omegaeng.cz
Karviná, Czech Republic
596-311-899

BENELUX

www.omega.nl
Amstelveen, NL
0800-099-33-44



More than 100,000 Products Available!

• Temperature

Calibrators, Connectors, General Test and Measurement Instruments, Glass Bulb Thermometers, Handheld Instruments for Temperature Measurement, Ice Point References, Indicating Labels, Crayons, Cements and Lacquers, Infrared Temperature Measurement Instruments, Recorders Relative Humidity Measurement Instruments, RTD Probes, Elements and Assemblies, Temperature & Process Meters, Timers and Counters, Temperature and Process Controllers and Power Switching Devices, Thermistor Elements, Probes and Assemblies, Thermocouples Thermowells and Head and Well Assemblies, Transmitters, Wire

• Flow and Level

Air Velocity Indicators, Doppler Flowmeters, Level Measurement, Magnetic Flowmeters, Mass Flowmeters, Pitot Tubes, Pumps, Rotameters, Turbine and Paddle Wheel Flowmeters, Ultrasonic Flowmeters, Valves, Variable Area Flowmeters, Vortex Shedding Flowmeters

• pH and Conductivity

Conductivity Instrumentation, Dissolved Oxygen Instrumentation, Environmental Instrumentation, pH Electrodes and Instruments, Water and Soil Analysis Instrumentation

• Data Acquisition

Auto-Dialers and Alarm Monitoring Systems, Communication Products and Converters, Data Acquisition and Analysis Software, Data Loggers Plug-in Cards, Signal Conditioners, USB, RS232, RS485 and Parallel Port Data Acquisition Systems, Wireless Transmitters and Receivers

• Pressure, Strain and Force

Displacement Transducers, Dynamic Measurement Force Sensors, Instrumentation for Pressure and Strain Measurements, Load Cells, Pressure Gauges, Pressure Reference Section, Pressure Switches, Pressure Transducers, Proximity Transducers, Regulators, Strain Gages, Torque Transducers, Valves

• Heaters

Band Heaters, Cartridge Heaters, Circulation Heaters, Comfort Heaters, Controllers, Meters and Switching Devices, Flexible Heaters, General Test and Measurement Instruments, Heater Hook-up Wire, Heating Cable Systems, Immersion Heaters, Process Air and Duct, Heaters, Radiant Heaters, Strip Heaters, Tubular Heaters