

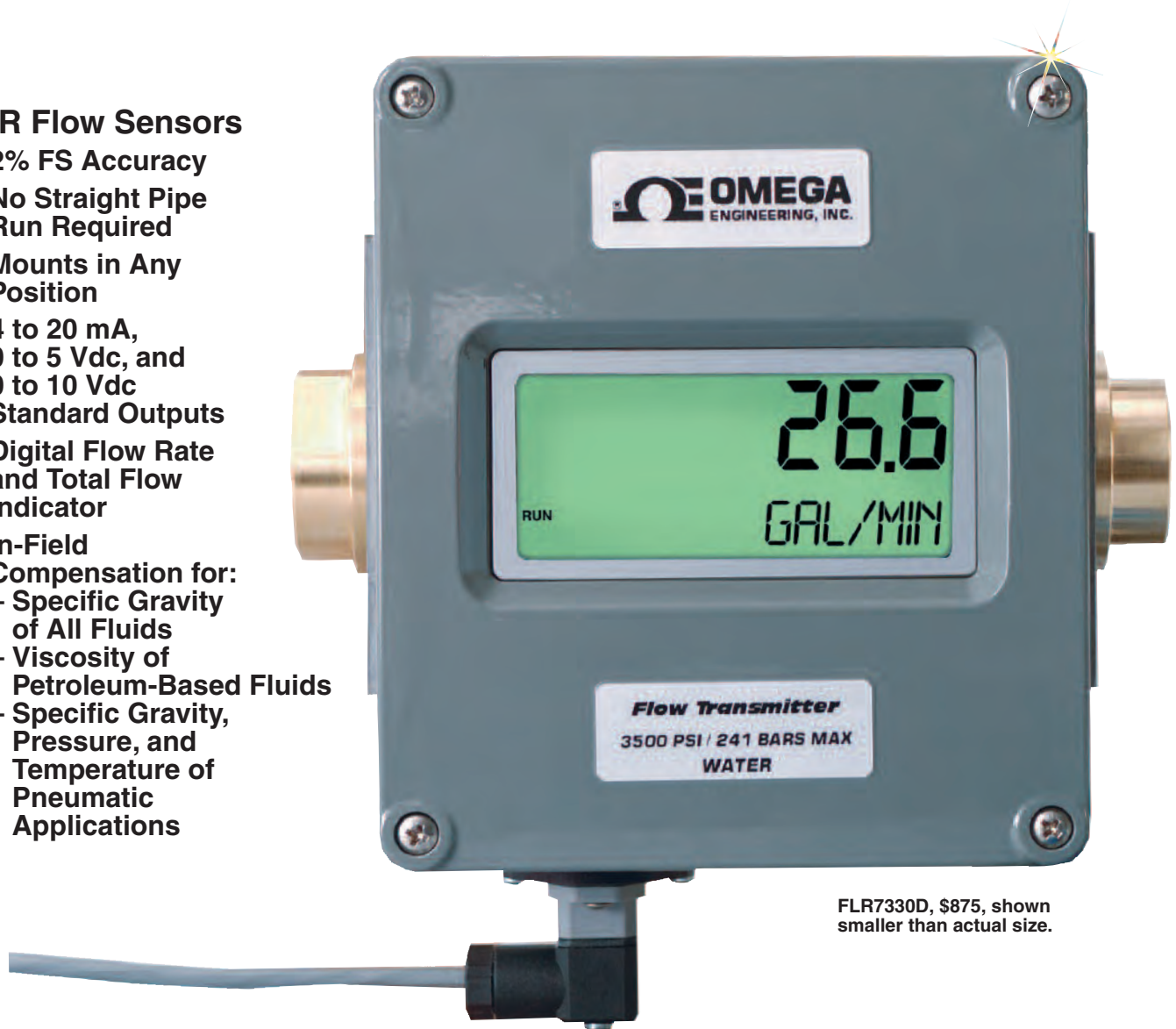
FLOW METER PROCESS CONTROL INFORMATION SYSTEMS

FLR Series
Starts at
\$745
Complete System



FLR Flow Sensors

- ✓ 2% FS Accuracy
- ✓ No Straight Pipe Run Required
- ✓ Mounts in Any Position
- ✓ 4 to 20 mA, 0 to 5 Vdc, and 0 to 10 Vdc Standard Outputs
- ✓ Digital Flow Rate and Total Flow Indicator
- ✓ In-Field Compensation for:
 - Specific Gravity of All Fluids
 - Viscosity of Petroleum-Based Fluids
 - Specific Gravity, Pressure, and Temperature of Pneumatic Applications



FLR7330D, \$875, shown smaller than actual size.

Rugged In-Line Flow Sensors

Available in 13 mm (½"), 19 mm (¾"), and 32 mm (1¼") sizes with anodized aluminum or brass. Comes with 4.5 m (15') of stripped end integral cable. In the field, integral cable can be extended up to 300 m (1000') with shielded copper cable. Units are securely

protected in a sturdy cast aluminum enclosure, and are easy to install and mount in any position, vertical or horizontal. Capable of monitoring fluids to 150 GPM or pneumatic lines to 1000 SCFM.

† Refer to footnote on page B-67C for NIST calibration ordering information.

SPECIFICATIONS

Temperature Range:

-29 to 116°C (-20 to 240°F)

Maximum Pressure: 3500 psig (liquids); 1000 psig (gases)

Power Requirement:

0 to 5 Vdc Output: 10 to 30 Vdc @ 0.75 W max

0 to 10 Vdc Output: 12 to 30 Vdc @ 0.75 W max

4 to 20 mA Output: Loop-powered, 30 Vdc max

Power Consumption: 25 mA max

Circuit Protection:

Reverse polarity and current limit

Repeatability: ±0.5%

Non-Linearity: ±0.05%

Isolation: Inherently isolated from the piping system

Display: Fixed or toggle modes of operation for rate and totalizer display.

8-digit, 0.70" high numeric display for rate and total 8-digit 0.35" high alphanumeric display for units and setup.

Response Time: 1.0 sec

Temperature Drift:

0.05% of span per °C max

Analog Outputs:

4 to 20 mA into 1KΩ max

0 to 5 Vdc into 10KΩ min

0 to 10 Vdc into 10KΩ min

User Connections:

15-foot pig-tail (standard)

Transmission Distance:

4 to 20 mA limited by cable resistance

0 to 5 Vdc 300 m (1000') maximum

0 to 10 Vdc 300 m (1000') maximum

Enclosure:

Material: Anodized and epoxy powder-coated aluminum with polycarbonate lens

Seals: Silicone gasket between enclosure and lens/cover. FKM O-rings between enclosure and flow meter body.

Connection: 4-pin connection (standard)

Fasteners: T303 SS

Rating: NEMA 12 & 13 (IP52/54)

Materials:

2024 - T351 anodized aluminum body, piston and cone C360 Brass body, piston and cone

Petroleum (Oil) Common Parts

Spider Plate: T316 SS

Spring: T302 SS

Fasteners: T303 SS

Pressure Seals: FKM

Lens: Polycarbonate

Retaining Ring: SAE 1070/1090 carbon steel

Retaining Spring: SAE 1070/1090 carbon steel

Internal Magnet: PPS/ceramic

Enclosure Seal: Silicone gasket

Water-Based, Water, Air Common Parts

Spider Plate: T316 SS

Spring: T302 SS

Fasteners: T303 SS

Pressure Seals: FKM

Lens: Polycarbonate

Retaining Ring: T316 SS

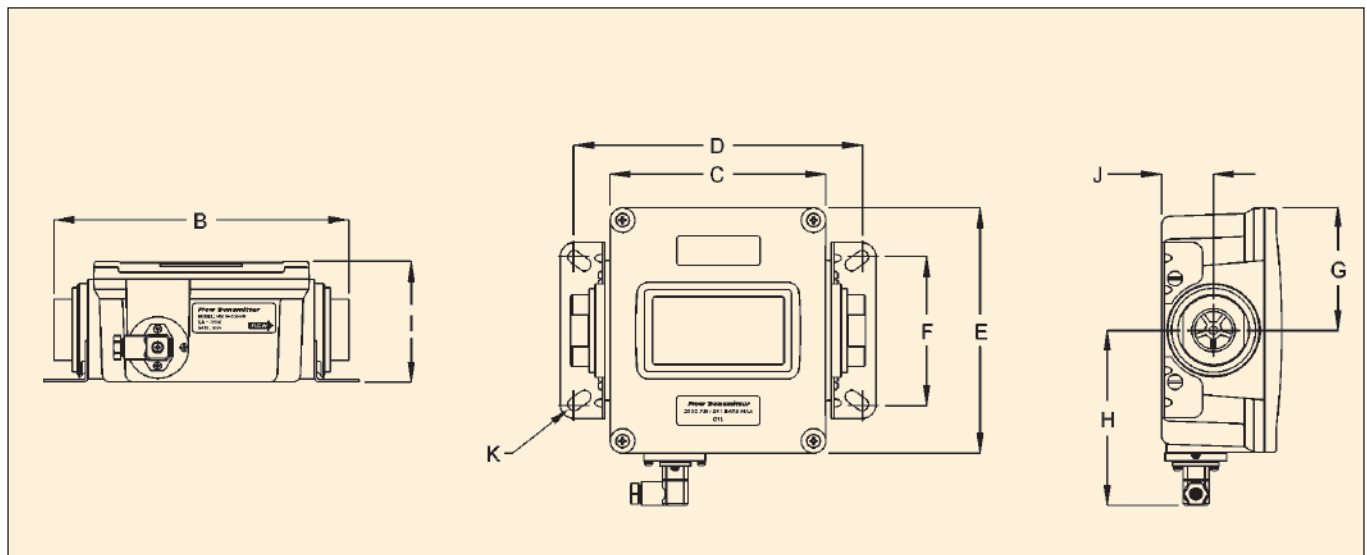
Retaining Spring: ST316 SS

Internal Magnet: PPS/ceramic

Enclosure Seal: Silicone gasket

Dimensions: mm (in)

Nominal Port Size	B	C	D	E	F	G	H	I	J	K
	Length	Length	Length	Width	Width	Width	Width	Depth	Offset	Hole Dia.
¼ (SAE 6)	168 (6.60)	134 (5.27)	163 (6.41)	152 (6.00)	82 (3.23)	76 (3.00)	107 (4.20)	75 (2.94)	38 (1.51)	8 (0.31)
½ (SAE 10)	168 (6.60)	134 (5.27)	163 (6.41)	152 (6.00)	82 (3.23)	76 (3.00)	107 (4.20)	75 (2.94)	38 (1.51)	8 (0.31)
¾ (SAE 12)	183 (7.20)	134 (5.27)	179 (7.04)	152 (6.00)	91 (3.60)	76 (3.00)	107 (4.20)	75 (2.94)	32 (1.27)	8 (0.31)
1 (SAE 16)	183 (7.20)	134 (5.27)	179 (7.04)	152 (6.00)	91 (3.60)	76 (3.00)	107 (4.20)	75 (2.94)	32 (1.27)	8 (0.31)
1¼ (SAE 20)	310 (12.20)	271 (10.68)	296 (11.65)	194 (7.63)	123 (4.84)	97 (3.82)	128 (5.02)	114 (4.50)	56 (2.20)	8 (0.31)
1½ (SAE 24)	310 (12.20)	271 (10.68)	296 (11.65)	194 (7.63)	123 (4.84)	97 (3.82)	128 (5.02)	114 (4.50)	56 (2.20)	8 (0.31)



B-67b

FLR9110D, \$1215,
shown smaller than
actual size.

FLR6305D, \$800, shown
smaller than actual size.



FLR7130D, \$800, shown
smaller than actual size.

MOST POPULAR MODELS HIGHLIGHTED!

To Order (Specify Model Number)

Model No.	Price	Flow Range	Medium	NPT	Body
FLR5101D	\$745	0.1 to 1.0 GPM	Oil	¼	Aluminum
FLR6102D	745	0.2 to 2.0 GPM	Oil	½	Aluminum
FLR6105D	745	0.5 to 5.0 GPM	Oil	½	Aluminum
FLR6115D	745	1 to 15 GPM	Oil	½	Aluminum
FLR7120D	800	0.2 to 2.0 GPM	Oil	¾	Aluminum
FLR7130D	800	3 to 30 GPM	Oil	¾	Aluminum
FLR8140D	800	4 to 40 GPM	Oil	1	Aluminum
FLR8150D	800	5 to 50 GPM	Oil	1	Aluminum
FLR9175D	1215	10 to 75 GPM	Oil	1¼	Aluminum
FLR9110D	1215	10 to 100 GPM	Oil	1¼	Aluminum
FLR9115D	1215	10 to 150 GPM	Oil	1¼	Aluminum
FLR5301D	800	0.1 to 1.0 GPM	Water	¼	Brass
FLR6302D	800	0.2 to 2.0 GPM	Water	½	Brass
FLR6305D	800	0.5 to 5.0 GPM	Water	½	Brass
FLR6315D	800	1 to 15 GPM	Water	½	Brass
FLR7320D	875	2 to 20 GPM	Water	¾	Brass
FLR7330D	875	3 to 30 GPM	Water	¾	Brass
FLR8340D	875	4 to 40 GPM	Water	1	Brass
FLR8350D	875	5 to 50 GPM	Water	1	Brass
FLR9375D	1675	10 to 75 GPM	Water	1¼	Brass
FLR9310D	1675	10 to 100 GPM	Water	1¼	Brass
FLR9315D	1675	10 to 150 GPM	Water	1¼	Brass
FLR6725D	760	2 to 25 SCFM	Air 100 psi	½	Aluminum
FLR6750D	760	5 to 50 SCFM	Air 100 psi	½	Aluminum
FLR7710D	820	10 to 100 SCFM	Air 100 psi	¾	Aluminum
FLR7715D	820	15 to 150 SCFM	Air 100 psi	¾	Aluminum
FLR8725D	820	25 to 250 SCFM	Air 100 psi	1	Aluminum
FLR9740D	1245	25 to 400 SCFM	Air 100 psi	1¼	Aluminum
FLR9760D	1245	50 to 600 SCFM	Air 100 psi	1¼	Aluminum
FLR9710D	1245	100 to 1000 SCFM	Air 100 psi	1¼	Aluminum

Comes complete with operator's manual.

†For 5-point NIST certificate add “-NIST5” to model number and \$300 to price.

For British standard pipe thread parallel add “-BSPP” to model number, no additional cost.

Ordering Examples: FLR6105D flow transmitter, 0.5 to 5.0 GPM for oil, with analog output, \$745.

FLR5101D, flow transmitter, 0.1 to 1.0 GPM for oil with analog output, \$745.



UNITED STATES

www.omega.com
1-800-TC-OMEGA
Stamford, CT.

CANADA

www.omega.ca
Laval(Quebec)
1-800-TC-OMEGA

GERMANY

www.omega.de
Deckenpfronn, Germany
0800-8266342

UNITED KINGDOM

www.omega.co.uk
Manchester, England
0800-488-488

FRANCE

www.omega.fr
Guyancourt, France
088-466-342

CZECH REPUBLIC

www.omegaeng.cz
Karviná, Czech Republic
596-311-899

BENELUX

www.omega.nl
Amstelveen, NL
0800-099-33-44



More than 100,000 Products Available!

• Temperature

Calibrators, Connectors, General Test and Measurement Instruments, Glass Bulb Thermometers, Handheld Instruments for Temperature Measurement, Ice Point References, Indicating Labels, Crayons, Cements and Lacquers, Infrared Temperature Measurement Instruments, Recorders Relative Humidity Measurement Instruments, RTD Probes, Elements and Assemblies, Temperature & Process Meters, Timers and Counters, Temperature and Process Controllers and Power Switching Devices, Thermistor Elements, Probes and Assemblies, Thermocouples Thermowells and Head and Well Assemblies, Transmitters, Wire

• Flow and Level

Air Velocity Indicators, Doppler Flowmeters, Level Measurement, Magnetic Flowmeters, Mass Flowmeters, Pitot Tubes, Pumps, Rotameters, Turbine and Paddle Wheel Flowmeters, Ultrasonic Flowmeters, Valves, Variable Area Flowmeters, Vortex Shedding Flowmeters

• pH and Conductivity

Conductivity Instrumentation, Dissolved Oxygen Instrumentation, Environmental Instrumentation, pH Electrodes and Instruments, Water and Soil Analysis Instrumentation

• Data Acquisition

Auto-Dialers and Alarm Monitoring Systems, Communication Products and Converters, Data Acquisition and Analysis Software, Data Loggers Plug-in Cards, Signal Conditioners, USB, RS232, RS485 and Parallel Port Data Acquisition Systems, Wireless Transmitters and Receivers

• Pressure, Strain and Force

Displacement Transducers, Dynamic Measurement Force Sensors, Instrumentation for Pressure and Strain Measurements, Load Cells, Pressure Gauges, Pressure Reference Section, Pressure Switches, Pressure Transducers, Proximity Transducers, Regulators, Strain Gages, Torque Transducers, Valves

• Heaters

Band Heaters, Cartridge Heaters, Circulation Heaters, Comfort Heaters, Controllers, Meters and Switching Devices, Flexible Heaters, General Test and Measurement Instruments, Heater Hook-up Wire, Heating Cable Systems, Immersion Heaters, Process Air and Duct, Heaters, Radiant Heaters, Strip Heaters, Tubular Heaters