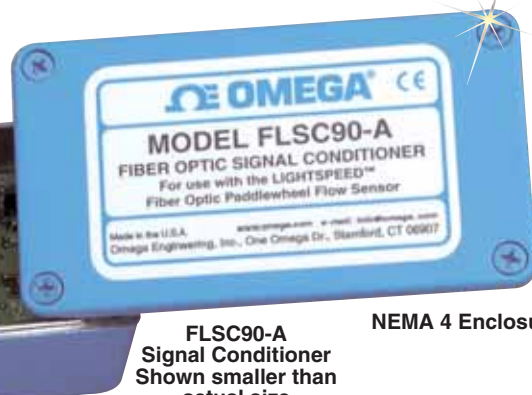


FIBER-OPTIC INPUT FLOW SIGNAL CONDITIONER

for Use with the LIGHTSPEED™ Paddlewheel Flow Sensor

PATENTED
Covered by U.S. and
International patents and
pending applications



NEMA 4 Enclosure

FLSC90-A
Signal Conditioner
Shown smaller than
actual size

FLSC90-A
\$390
Basic Unit

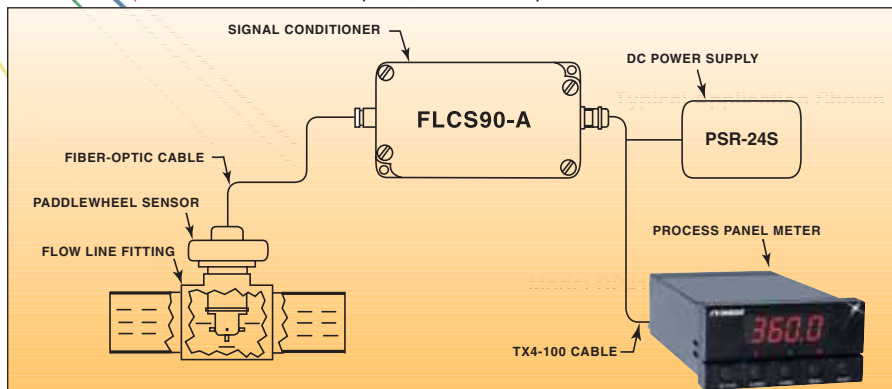
- ✓ 0.15% Accuracy
- ✓ 4 to 20 mA or 1 to 5 Vdc Output
- ✓ Compact Industrial Design
- ✓ CE Marked
- ✓ NEMA 4 Enclosure



OMEGACARE™ extended warranty program is available for models shown on this page. Ask your sales representative for full details when placing an order. OMEGACARE™ covers parts, labor and equivalent loaners.

FP9001A, \$225,
fiber optic flow
sensor sold
separately, please
see page F-19.

OMEGA's Model FLSC90-A fiber-optic signal conditioner has been designed to interface directly with OMEGA's FP-9000A series LIGHTSPEED™ paddlewheel flow sensors. The FLSC90-A provides a high intensity light source to the patented paddlewheel sensor through a semi-flexible duplex fiber-optic cable. Returning light pulses are measured and converted by the signal conditioner's electronics to a scalable analog output that is proportional to the flowrate. The ability of the paddlewheel flow sensor to operate in harsh and heavy electrical noise environments via the fiber optic cable link makes this system ideal for such applications. The industry standard 4 to 20 mA or 1 to 5 Vdc analog output can connect directly to many of OMEGA's process meters, controllers, dataloggers or data acquisition systems.



Paddlewheel is covered by U.S. and international patents and pending applications.

SPECIFICATIONS

- Accuracy:** ±0.15% of full scale
- Repeatability:** ±0.025
- Input:** Light pulses from fiber optic flow sensor (FP-9000 Series) See Note*
- Min. Input Frequency:** 65 Hz
- Max. Input Frequency:** 960 Hz
- Ambient Operating Range:** 0 to 49°C (32 to 120°F)
- Power:** 8-32 Vdc @ 40 mA
- Outputs (3-Wire Configuration):** 4-20 mA/1-5 Vdc (Field Selectable)
- Maximum Loop Resistance:** (Vsupply-8V)/.020 A = Ohms
- Dimensions:** 114.5 L x 63.5 W x 35 mm H (4.51 x 2.50 x 1.38")
- Storage Temperature:** -20 to 65°C (-4 to 149°F)
- Enclosure/Class:** Die cast aluminium, NEMA 4 (IP66)
- CE Approved:** Yes
- Weight:** 238 g (8.3 oz)

AVAILABLE FOR FAST DELIVERY!

To Order (Specify Model Number)

Model No.	Price	Description
FLSC90-A	\$390	Fiber optic signal conditioner

Ordering Example: FLSC90-A, fiber-optic signal conditioner, plus TX4-100, 4-conductor power/output cable, plus PSR-245, 24 Vdc regulated power supply plus OCW-3, OMEGACARE™ extends standard 1-year warranty to a total of 4 years, \$390 + 28.50 + 60 + 97 = \$575.50

Accessories

Model No.	Price	Description
TX4-100	\$28.50	4-conductor power/output cable 30 m (100')
PSR-24S	60.00	24 Vdc regulated power supply
FLSC90-CA9*	35.00	Fiber-optic extension cable 2.7 m (9')
PE-1011	109.95	Reference Book: Instrumentation for Engineering Measurements

* Note: Only one extension cable can be used to extend the paddlewheel a maximum of 5.4 m (18') from the FLSC90-A signal conditioner.



UNITED STATES

www.omega.com
1-800-TC-OMEGA
Stamford, CT.

CANADA

www.omega.ca
Laval(Quebec)
1-800-TC-OMEGA

GERMANY

www.omega.de
Deckenpfronn, Germany
0800-8266342

UNITED KINGDOM

www.omega.co.uk
Manchester, England
0800-488-488

FRANCE

www.omega.fr
Guyancourt, France
088-466-342

CZECH REPUBLIC

www.omegaeng.cz
Karviná, Czech Republic
596-311-899

BENELUX

www.omega.nl
Amstelveen, NL
0800-099-33-44



More than 100,000 Products Available!

• Temperature

Calibrators, Connectors, General Test and Measurement Instruments, Glass Bulb Thermometers, Handheld Instruments for Temperature Measurement, Ice Point References, Indicating Labels, Crayons, Cements and Lacquers, Infrared Temperature Measurement Instruments, Recorders Relative Humidity Measurement Instruments, RTD Probes, Elements and Assemblies, Temperature & Process Meters, Timers and Counters, Temperature and Process Controllers and Power Switching Devices, Thermistor Elements, Probes and Assemblies, Thermocouples Thermowells and Head and Well Assemblies, Transmitters, Wire

• Flow and Level

Air Velocity Indicators, Doppler Flowmeters, Level Measurement, Magnetic Flowmeters, Mass Flowmeters, Pitot Tubes, Pumps, Rotameters, Turbine and Paddle Wheel Flowmeters, Ultrasonic Flowmeters, Valves, Variable Area Flowmeters, Vortex Shedding Flowmeters

• pH and Conductivity

Conductivity Instrumentation, Dissolved Oxygen Instrumentation, Environmental Instrumentation, pH Electrodes and Instruments, Water and Soil Analysis Instrumentation

• Data Acquisition

Auto-Dialers and Alarm Monitoring Systems, Communication Products and Converters, Data Acquisition and Analysis Software, Data Loggers Plug-in Cards, Signal Conditioners, USB, RS232, RS485 and Parallel Port Data Acquisition Systems, Wireless Transmitters and Receivers

• Pressure, Strain and Force

Displacement Transducers, Dynamic Measurement Force Sensors, Instrumentation for Pressure and Strain Measurements, Load Cells, Pressure Gauges, Pressure Reference Section, Pressure Switches, Pressure Transducers, Proximity Transducers, Regulators, Strain Gages, Torque Transducers, Valves

• Heaters

Band Heaters, Cartridge Heaters, Circulation Heaters, Comfort Heaters, Controllers, Meters and Switching Devices, Flexible Heaters, General Test and Measurement Instruments, Heater Hook-up Wire, Heating Cable Systems, Immersion Heaters, Process Air and Duct, Heaters, Radiant Heaters, Strip Heaters, Tubular Heaters