

# LOW LEVEL AMPLIFIER

FLSC-AMP  
\$66



- ✓ Ultra Low-Speed to 15 kHz Operation
- ✓ 20 mV to 50 V Sensitivity
- ✓ 100 mA Current Sinking Output
- ✓ 11 to 26 Vdc Power Supply Range
- ✓ Easy Mount Metal Housing
- ✓ Screw Terminal Hookup

The OMEGA® FLSC-AMP amplifies the low level signals from the magnetic pickup of gear teeth or flow transmitters by a factor of more than a hundred times to drive any OMEGA® ratemeter, counter or controller. It is mounted in a rugged 2 x 3" metal housing with screw terminals for easy installation.

## SPECIFICATIONS

### Power Requirements:

11 to 26 Vdc; 30 mA maximum

### Input Characteristics:

Input Impedance: 1500 ohms

Input Frequency: 0-15 kHz

Input Voltage: 0.020 to 50 V

### Output Characteristics:

Open Collector with internal 2700 ohms

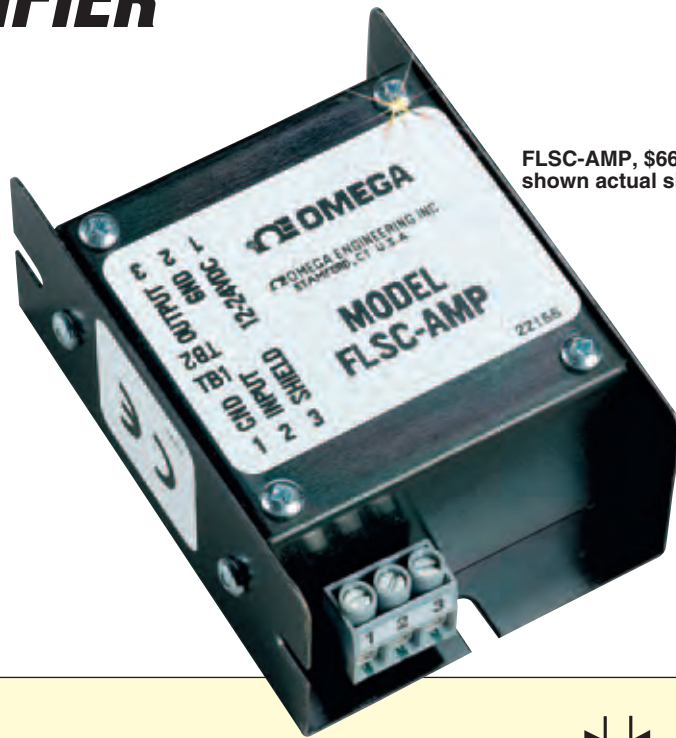
pull-up resistor to supply voltage;

100 mA maximum sink to 1 v or less

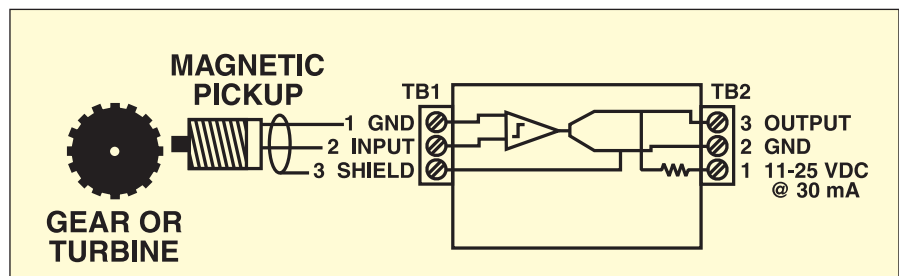
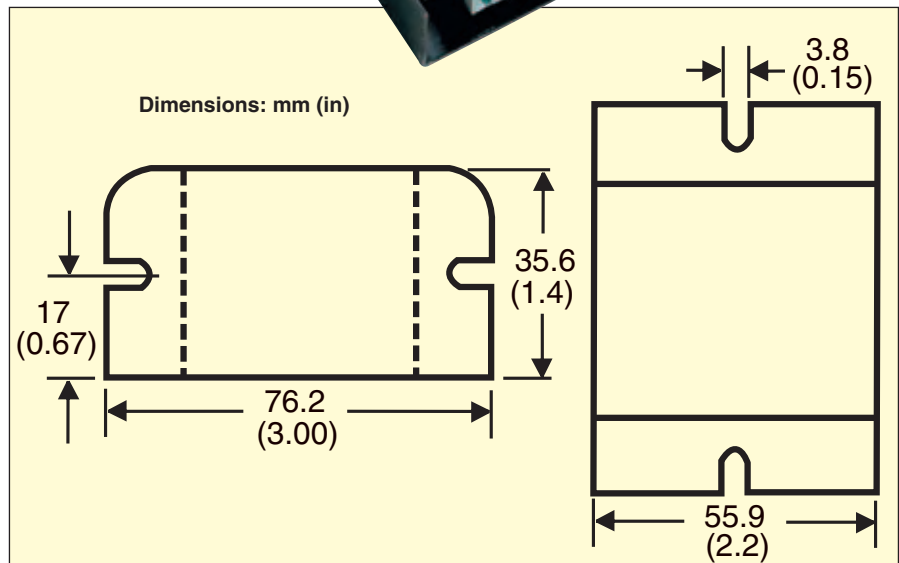
### Temperature Range:

32 to 140°F (0 to 60°C)

**NOTE:** The low voltage line from the magnetic pickup to the FLSC-AMP should be less than 3 m (10') in length, shielded and isolated from relays, solenoids or other sources of electrical noise (let the output line make the long run). If the input is too sensitive, lower the 1.1K input impedance by adding a 220 to 1 Kohm resistor across TB1, pins 1 and 2, to increase noise immunity.



FLSC-AMP, \$66, shown actual size.



**AVAILABLE FOR FAST DELIVERY!**

## To Order (Specify Model Number)

Model No.	Price	Compatible Sensors
FLSC-AMP	\$66	FTB-100/900/930/950/5100/5200/5300/FP-6000

Comes complete with operator's manual.

Recommended Reference Book: Electrical Engineer's Portable Handbook, CS-3784, \$70. See Section Y for Additional Books.





#### UNITED STATES

[www.omega.com](http://www.omega.com)  
1-800-TC-OMEGA  
Stamford, CT.

#### CANADA

[www.omega.ca](http://www.omega.ca)  
Laval(Quebec)  
1-800-TC-OMEGA

#### GERMANY

[www.omega.de](http://www.omega.de)  
Deckenpfronn, Germany  
0800-8266342

#### UNITED KINGDOM

[www.omega.co.uk](http://www.omega.co.uk)  
Manchester, England  
0800-488-488

#### FRANCE

[www.omega.fr](http://www.omega.fr)  
Guyancourt, France  
088-466-342

#### CZECH REPUBLIC

[www.omegaeng.cz](http://www.omegaeng.cz)  
Karviná, Czech Republic  
596-311-899

#### BENELUX

[www.omega.nl](http://www.omega.nl)  
Amstelveen, NL  
0800-099-33-44



## More than 100,000 Products Available!

### • Temperature

Calibrators, Connectors, General Test and Measurement Instruments, Glass Bulb Thermometers, Handheld Instruments for Temperature Measurement, Ice Point References, Indicating Labels, Crayons, Cements and Lacquers, Infrared Temperature Measurement Instruments, Recorders Relative Humidity Measurement Instruments, RTD Probes, Elements and Assemblies, Temperature & Process Meters, Timers and Counters, Temperature and Process Controllers and Power Switching Devices, Thermistor Elements, Probes and Assemblies, Thermocouples Thermowells and Head and Well Assemblies, Transmitters, Wire

### • Flow and Level

Air Velocity Indicators, Doppler Flowmeters, Level Measurement, Magnetic Flowmeters, Mass Flowmeters, Pitot Tubes, Pumps, Rotameters, Turbine and Paddle Wheel Flowmeters, Ultrasonic Flowmeters, Valves, Variable Area Flowmeters, Vortex Shedding Flowmeters

### • pH and Conductivity

Conductivity Instrumentation, Dissolved Oxygen Instrumentation, Environmental Instrumentation, pH Electrodes and Instruments, Water and Soil Analysis Instrumentation

### • Data Acquisition

Auto-Dialers and Alarm Monitoring Systems, Communication Products and Converters, Data Acquisition and Analysis Software, Data Loggers Plug-in Cards, Signal Conditioners, USB, RS232, RS485 and Parallel Port Data Acquisition Systems, Wireless Transmitters and Receivers

### • Pressure, Strain and Force

Displacement Transducers, Dynamic Measurement Force Sensors, Instrumentation for Pressure and Strain Measurements, Load Cells, Pressure Gauges, Pressure Reference Section, Pressure Switches, Pressure Transducers, Proximity Transducers, Regulators, Strain Gages, Torque Transducers, Valves

### • Heaters

Band Heaters, Cartridge Heaters, Circulation Heaters, Comfort Heaters, Controllers, Meters and Switching Devices, Flexible Heaters, General Test and Measurement Instruments, Heater Hook-up Wire, Heating Cable Systems, Immersion Heaters, Process Air and Duct, Heaters, Radiant Heaters, Strip Heaters, Tubular Heaters