

INSERTION METAL MAGMETER

FMG-550 Series
Starts at
\$1735

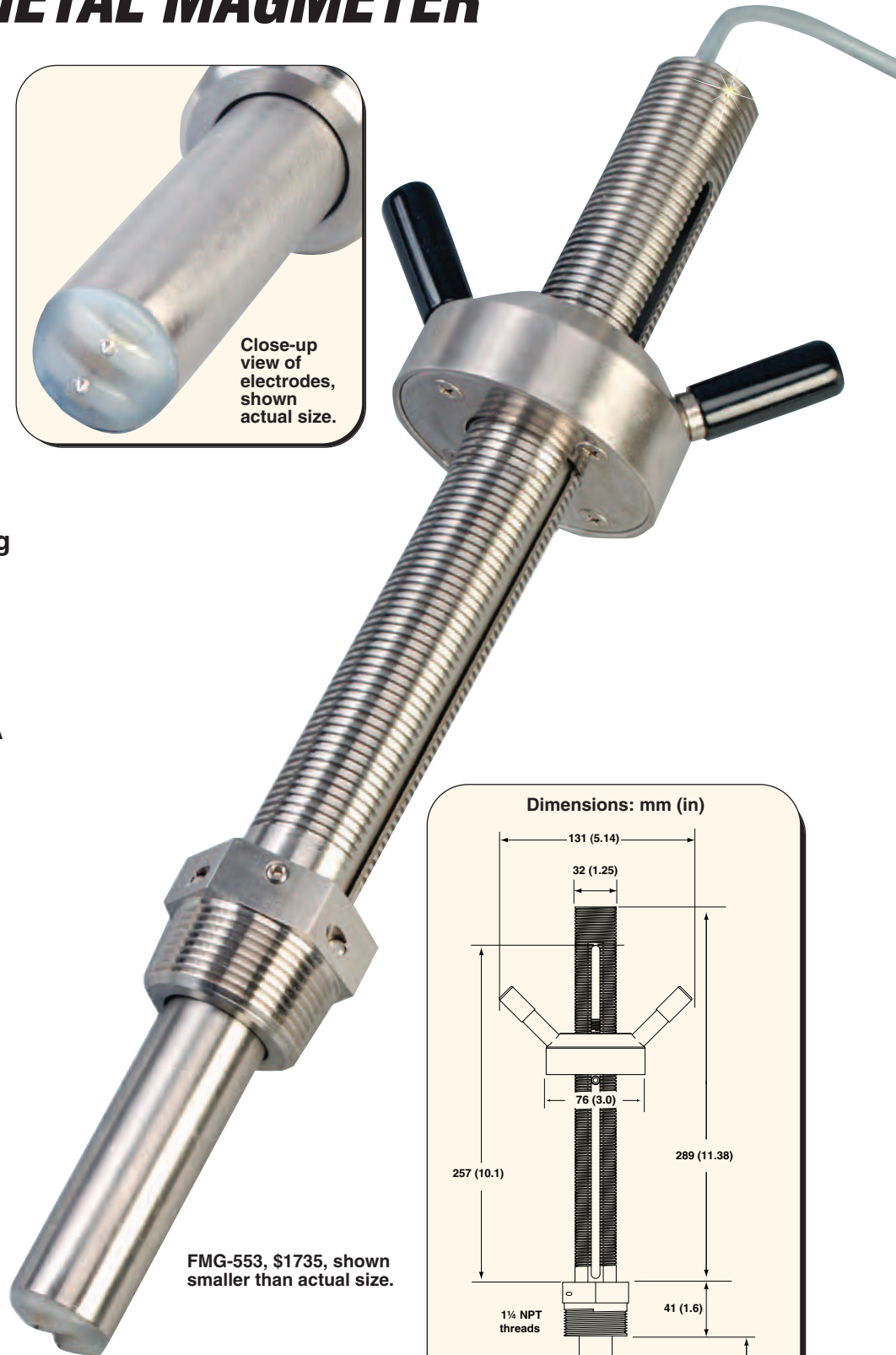


- ✓ Hot-Tap Version for Installation and Service Without System Shutdown
- ✓ Diagnostic Features Using Colored LED Lights
- ✓ 1¼ NPT Threads
- ✓ Optional Detachable Waterproof Cable
- ✓ Output Choices of Frequency or 4 to 20 mA
- ✓ Bi-Directional Flow and Empty Pipe Detection
- ✓ No Moving Sensor Parts
- ✓ Adjustable Insertion for Pipe Sizes 50 mm (2") up to 1200 mm (48")
- ✓ Flow Rate Range 0.05 to 10 m/s (0.15 to 33 ft/s)
- ✓ Measurement in Dirty and High-Solid Content Liquids

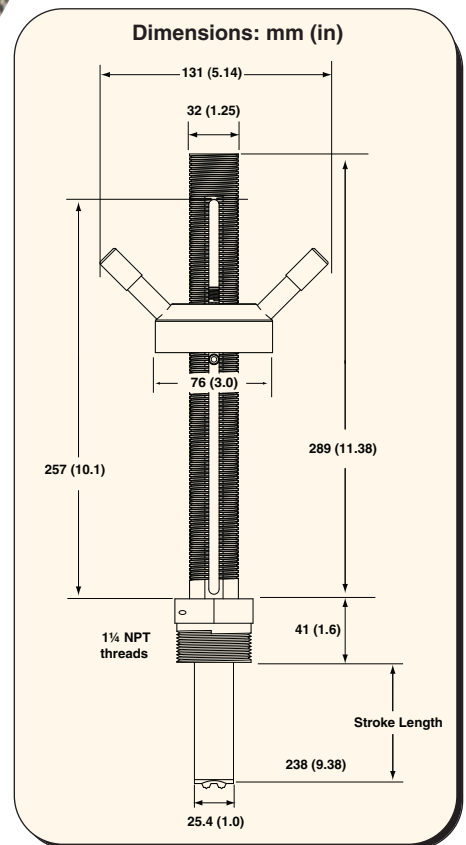
The FMG-550 Series magmeter flow sensors are heavy-duty, high-performance sensors in an adjustable, insertion configuration that can be used with a ball valve for hot-tap installations. This insertion-style flow sensor has no moving parts and is constructed of corrosion-resistant materials to provide long-term reliability with minimal maintenance costs. The FMG-550 Series is versatile and simple-to-install, delivering reliable flow measurement over a wide dynamic range. Pipe sizes range from 2 to 48". Omega's FMG-550 magmeters offer frequency or current outputs. The blind transmitter (4 to 20 mA output) is



Close-up view of electrodes, shown actual size.



FMG-553, \$1735, shown smaller than actual size.



available for long distance signal transmission. The empty pipe detection features a zero flow output when the electrodes are not completely wetted. The frequency output is bi-directional while the 4 to 20 mA output can be set for uni- or bi-directional flow. The 4 to 20 mA

output is factory spanned. Other configurations available, contact Omega's Flow department for details.

SPECIFICATIONS

Wetted Materials: 316 L stainless steel body and electrodes, PVDF insulator, O-rings (FPM standard), 4-conductor shielded cable, PVC jacket (fixed cable models) or watertight rubber cable with connector on “-SUB” models

Power: 4 to 20 mA (24 Vdc nominal, 21.6 to 26.4 Vdc max, 22.1 mA maximum), frequency (5 to 24 Vdc nominal, 5 to 26.4 Vdc max, 15 mA max), reverse polarity and short circuit protected pipe size of DN50 to DN1200 (2 to 48")

Flow Range: 0.05 m/s (0.15 ft/s) min, 10 m/s (33 ft/s) max

Linearity: ±1% reading + 0.01 m/s (±1% reading + 0.033 ft/s)

Repeatability: ±0.5% of rdg @ 25°C

Minimum Conductivity: 20 µS/cm

Accuracy: <±2% of measured value in reference conditions where the fluid is water at ambient temperature, the appropriate upstream and downstream distances are observed, the sensor is inserted at the correct depth, and there is a fully developed flow profile which is in compliance to ISO 7145-1982 (BS 1042 section 2.2).

Electrical Current Output: 4 to 20 mA, programmable and reversible, loop

Accuracy: 32 µA max error (at 25°C @ 24 Vdc)

Temperature Drift: ±1 µA per °C max

Power Supply Rejection: ±1 µA per V

Isolation: Low voltage < 48 Vac/dc from electrodes and auxiliary power

Maximum Cable: 300 m (1000')

Maximum Loop Resistance: 300 Ω

Error Condition: 22.1 mA frequency output

Maximum Pull-up Voltage: 30 Vdc

Short-Circuit Protected: <30 V @ 0 Ω pull-up for 1 hour, reverse polarity protected to -40 V for 1 hour, over-voltage protected to 40 V for 1 hour

Maximum Current Sink: 50 mA, current limited

Temperature/Pressure Ratings

Storage Temperature: -15 to 70°C (5 to 158°F) in non-icing conditions

Operating Temperature Ambient: -15 to 70°C (5 to 158°F) in non-icing conditions

Media: -15 to 85°C (5 to 185°F)

Maximum Operating Pressure: 20.7 bar @ 25°C (300 psi @ 77°F)

Hot-Tap Installation Requirements:

Maximum Installation Pressure: 20.7 bar (300 psi)

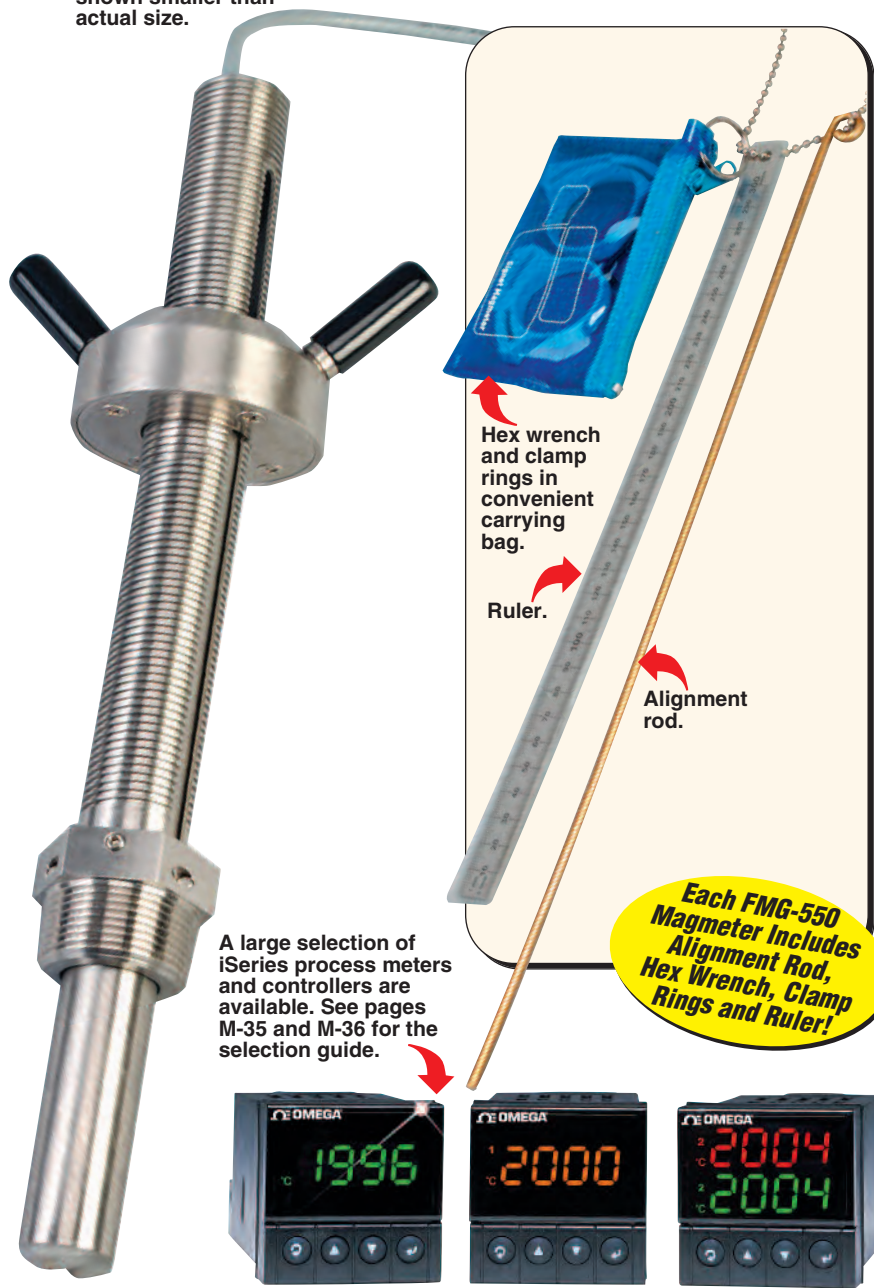
Maximum Installation Temperature:

40°C (104°F) Hot-tap installation at temperatures that are greater than 40°C (104°F) or with hazardous liquids are not permitted with this product.

Connector: NEMA 6P (IP68)

EN 61326: Immunity and emissions for control equipment

FMG-553, \$1735, shown smaller than actual size.



A large selection of iSeries process meters and controllers are available. See pages M-35 and M-36 for the selection guide.

Each FMG-550 Magmeter Includes Alignment Rod, Hex Wrench, Clamp Rings and Ruler!

MOST POPULAR MODEL HIGHLIGHTED!

To Order (Specify Model Number)

Model No.	Price	Description
FMG-553	\$1735	Magmeter 9.4" hot tap, frequency output
FMG-554	1840	Magmeter 9.4" hot tap, 4 to 20 mA output
FMG-550-S-CABLE	163	4 conductor, 22 AWG, water tight connector, 6 m (19.5')

Comes complete with operator's manual, alignment rod, hex wrench, clamp rings and ruler. For models with water-tight sensor connector for temporary submersion add “-SUB” to the model number, no additional charge.

Ordering Examples: FMG-554, insertion magmeter 7.3" protrusion, 4 to 20 mA output, \$1840.

FMG-553, insertion magmeter, frequency output with FMG-550-S-CABLE, 6 m (19.5') cable with water tight connector, \$1735 + 163 = \$1898.

Recommended Reference Book: The Consumers Guide to Magnetic Flowmeters, FW-202, \$250. Visit omega.com/bobi for Additional Books





UNITED STATES

www.omega.com
1-800-TC-OMEGA
Stamford, CT.

CANADA

www.omega.ca
Laval(Quebec)
1-800-TC-OMEGA

GERMANY

www.omega.de
Deckenpfronn, Germany
0800-8266342

UNITED KINGDOM

www.omega.co.uk
Manchester, England
0800-488-488

FRANCE

www.omega.fr
Guyancourt, France
088-466-342

CZECH REPUBLIC

www.omegaeng.cz
Karviná, Czech Republic
596-311-899

BENELUX

www.omega.nl
Amstelveen, NL
0800-099-33-44



More than 100,000 Products Available!

• Temperature

Calibrators, Connectors, General Test and Measurement Instruments, Glass Bulb Thermometers, Handheld Instruments for Temperature Measurement, Ice Point References, Indicating Labels, Crayons, Cements and Lacquers, Infrared Temperature Measurement Instruments, Recorders Relative Humidity Measurement Instruments, RTD Probes, Elements and Assemblies, Temperature & Process Meters, Timers and Counters, Temperature and Process Controllers and Power Switching Devices, Thermistor Elements, Probes and Assemblies, Thermocouples Thermowells and Head and Well Assemblies, Transmitters, Wire

• Flow and Level

Air Velocity Indicators, Doppler Flowmeters, Level Measurement, Magnetic Flowmeters, Mass Flowmeters, Pitot Tubes, Pumps, Rotameters, Turbine and Paddle Wheel Flowmeters, Ultrasonic Flowmeters, Valves, Variable Area Flowmeters, Vortex Shedding Flowmeters

• pH and Conductivity

Conductivity Instrumentation, Dissolved Oxygen Instrumentation, Environmental Instrumentation, pH Electrodes and Instruments, Water and Soil Analysis Instrumentation

• Data Acquisition

Auto-Dialers and Alarm Monitoring Systems, Communication Products and Converters, Data Acquisition and Analysis Software, Data Loggers Plug-in Cards, Signal Conditioners, USB, RS232, RS485 and Parallel Port Data Acquisition Systems, Wireless Transmitters and Receivers

• Pressure, Strain and Force

Displacement Transducers, Dynamic Measurement Force Sensors, Instrumentation for Pressure and Strain Measurements, Load Cells, Pressure Gauges, Pressure Reference Section, Pressure Switches, Pressure Transducers, Proximity Transducers, Regulators, Strain Gages, Torque Transducers, Valves

• Heaters

Band Heaters, Cartridge Heaters, Circulation Heaters, Comfort Heaters, Controllers, Meters and Switching Devices, Flexible Heaters, General Test and Measurement Instruments, Heater Hook-up Wire, Heating Cable Systems, Immersion Heaters, Process Air and Duct, Heaters, Radiant Heaters, Strip Heaters, Tubular Heaters