

ELECTROMAGNETIC FLOWMETERS

FMG-401H
\$2500
 Basic Unit



FMG-430H, \$6183, shown smaller than actual size.



- ✓ ±0.5% Accuracy
- ✓ Clear, Backlit LCD Display
- ✓ Rotational Display
- ✓ Easily Programmed
- ✓ Easy Wiring
- ✓ Unique Noise Suppressor

These cost-effective magnetic flowmeters combine superior noise immunity with high purity Alumina ceramic detection tubes, allowing precise measurements in a wide range of applications. Available in pipe sizes from ½ to 16" to accommodate many materials: chemicals, corrosives, foods, pulp and other solid matter slurry flows. Unique noise-suppression circuitry utilizes the optimum square-waved excitation frequency, eliminating various noises generated by slurries, making this flowmeter ideal for pulp, food and grout applications.

SPECIFICATIONS

Accuracy:
 ±0.25% FS or ±0.5% of rate at <1.0 m/s
 ±0.1% FS or ± 0.5% of rate at 1.0 to 10 m/s

Fluid Electrical Conductivity
Minimum: 5 µS/cm

Fluid Temperature:
 -10 to 120°C (14 to 250°F)

Ambient Temperature:
 -10 to 60°C (14 to 140°F)

Fluid Pressure: 290 psig

Enclosure: NEMA-4X (IP-67) corrosion-resistance type

Metering Tube Case: Carbon steel

Electronic Housing: Aluminum alloy

Display: LCD, 16-column, 2-row LCD, alphanumeric with backlight

16 Engineering Programmable Units Including: %, MPS, GPM, LPM, m³/s

Output: 4 to 20 mA/dc current with digital I/O provided, 1 open collector

Load Resistance: 0 to 1 k ohm

Capacity: 30 mA dc max. 200 mA

Flange:
 ANSI 150

Electrode:
 Hastelloy

Grounding Ring: 316L SS

Wafer: ½ to 4": Ceramic lining 6 to 8": Teflon® PFA lining; no coating for sizes 1 to 4" sizes; all other sizes have phthalic acid resin coating

Flanged: Teflon® PFA lining; phthalic acid resin coating

Power Supply: 100 to 240 Vac, 50/60 Hz power supply (24 Vdc option)

Cable Connection Ports:
 A cable gland with a cap nut is provided for each port

Power Cable Requirements:
 Dia: 11 to 13 mm (0.43 to 0.51"), 3-wire sheathed (not included)

Cable Gland Material: Nylon 66

Port Holes in the Housing: G(PF) ½" female screw

Vibration Resistance:
 No resonance to the following levels of vibration:

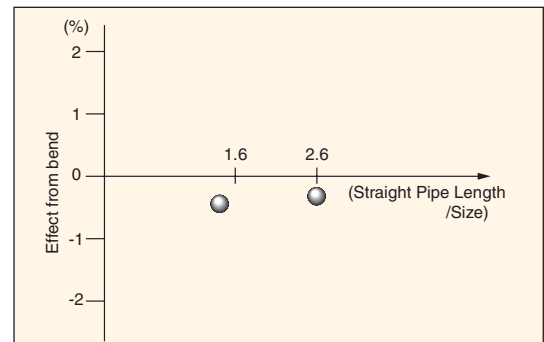
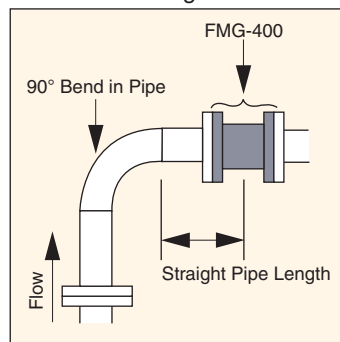
10 to 60 Hz, amplitude 0.07 mm
 60 to 150 Hz with acceleration of 9.8 m/s²

Heat shock resistance for ceramic tube detector:

Heating: ΔT ≤150°C/0.5s

Cooling: ΔT ≤100°C/0.5s

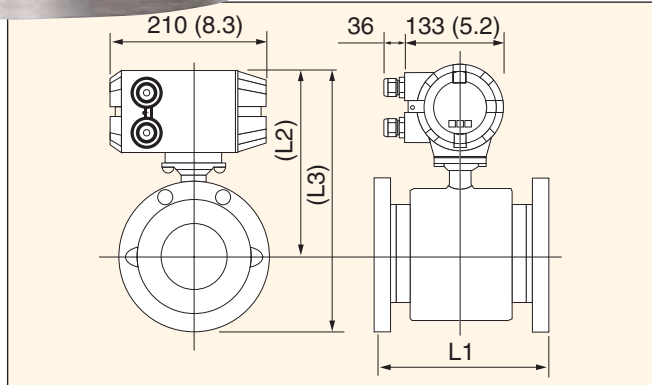
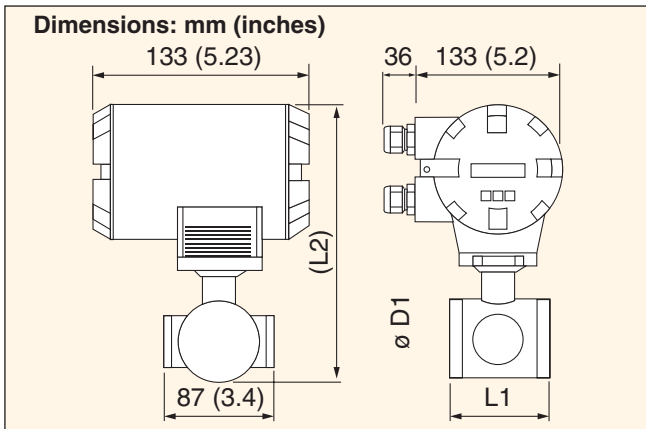
Note: Avoid constant vibration environments



High accuracy is assured even when a magnetic flowmeter is mounted downstream of a 90-degree bend in pipe.



FMG-430H, \$6183, shown smaller than actual size.



Flange Dimensions: mm (inches)

Meter Size	L1	L2	L3	No. of bolts	Weight kg (lb)
13 (½)	140 (5½)	216 (8½)	235 (9¼)	4	approx. 6 (14)
25 (1)	159 (6¼)	219 (8⅝)	254 (10)	4	approx. 8 (18)
38 (1½)	171 (6¾)	225 (8⅞)	270 (10⅝)	4	approx. 11 (25)
51 (2)	191 (7½)	235 (9¼)	286 (11¼)	4	approx. 12 (27)
76 (3)	229 (9)	248 (9¾)	314 (12⅜)	4	approx. 18 (40)
102 (4)	241 (9½)	267 (10½)	346 (13⅝)	8	approx. 22 (49)
152 (6)	260 (10¼)	298 (11¾)	410 (16⅝)	8	approx. 37 (82)
203 (8)	298 (11¾)	324 (12¾)	460 (18⅝)	12	approx. 50 (111)
254 (10)	349 (13¾)	346 (13⅝)	518 (20⅝)	12	approx. 106 (234)
305 (12)	400 (15¾)	371 (14⅝)	568 (22⅜)	12	approx. 113 (250)
356 (14)	451 (17¾)	391 (15⅝)	606 (23⅜)	12	approx. 130 (287)
406 (16)	498 (19⅝)	410 (16⅝)	664 (26⅝)	16	approx. 178 (393)

Wafer Dimensions: mm (inches)

Meter Size	L1	L2	D1	Weight kg (lb)
13 (½)	70 (2¾)	248 (9¾)	48 (1⅞)	approx. 4 (9)
25 (1)	79 (3⅝)	235 (9¼)	67 (2⅝)	approx. 5 (11)
38 (1½)	102 (4)	260 (10¼)	86 (3⅜)	approx. 6 (13)
51 (2)	111 (4⅜)	276 (10⅞)	102 (4)	approx. 7 (16)
75 (3)	111 (4⅜)	302 (11⅞)	127 (5)	approx. 8 (18)
102 (4)	111 (4⅜)	333 (13⅜)	159 (6¼)	approx. 10 (22)
152 (6)	229 (9)	391 (15⅝)	216 (8½)	approx. 22 (49)
203 (8)	298 (11¾)	441 (17⅞)	267 (10⅞)	approx. 36 (80)

MOST POPULAR MODELS HIGHLIGHTED!

To Order (Specify Model Number)								
Model No. Wafer Style	Price	Model No. Flange Style	Price	Pipe Size	Flow Rate			
					0.1 m/s	0.3 m/s	1 m/s	10 m/s
FMG-401H	\$2500	FMG-421H	\$2645	0.5"	0.28 GPM	0.84 GPM	2.80 GPM	28.00 GPM
FMG-402H	2600	FMG-422H	2645	1.0"	0.77 GPM	2.33 GPM	7.77 GPM	77.79 GPM
FMG-403H	2600	FMG-423H	2776	1.5"	1.99 GPM	5.97 GPM	19.91 GPM	199.13 GPM
FMG-404H	2679	FMG-424H	2978	2.0"	3.11 GPM	9.33 GPM	31.11 GPM	311.14 GPM
FMG-405H	2825	FMG-425H	3219	3.0"	7.96 GPM	23.89 GPM	79.64 GPM	796.46 GPM
FMG-406H	3145	FMG-426H	3330	4.0"	12.44 GPM	37.34 GPM	124.46 GPM	1244.66 GPM
FMG-407H	3292	FMG-427H	3588	6.0"	28.00 GPM	84.00 GPM	280.06 GPM	2800.60 GPM
FMG-408H	3767	FMG-428H	4116	8.0"	49.79 GPM	149.38 GPM	497.75 GPM	4979.54 GPM
-	-	FMG-429H	4937	10.0"		233.39 GPM	777.97 GPM	7779.70 GPM
-	-	FMG-430H	6183	12.0"		336.10 GPM	1120.50 GPM	11205.06 GPM
-	-	FMG-431H	6722	14.0"		457.44 GPM	1525.12 GPM	15251.22 GPM
-	-	FMG-432H	7330	16.0"		597.45 GPM	1991.37 GPM	19913.76 GPM
FW-202	\$250	Reference Book: The Consumers Guide to Magnetic Flowmeters						

Comes with complete operator's manual. For optional Hastelloy grounding ring, please consult the Flow Engineers for details.

Ordering Examples: FMG-401H, wafer-style electromagnetic flowmeter for 0.5" diameter pipe, \$2500; FMG-434H, flange-style electromagnetic flowmeter for 2" diameter pipe, \$2978.





UNITED STATES

www.omega.com
1-800-TC-OMEGA
Stamford, CT.

CANADA

www.omega.ca
Laval(Quebec)
1-800-TC-OMEGA

GERMANY

www.omega.de
Deckenpfronn, Germany
0800-8266342

UNITED KINGDOM

www.omega.co.uk
Manchester, England
0800-488-488

FRANCE

www.omega.fr
Guyancourt, France
088-466-342

CZECH REPUBLIC

www.omegaeng.cz
Karviná, Czech Republic
596-311-899

BENELUX

www.omega.nl
Amstelveen, NL
0800-099-33-44



More than 100,000 Products Available!

• Temperature

Calibrators, Connectors, General Test and Measurement Instruments, Glass Bulb Thermometers, Handheld Instruments for Temperature Measurement, Ice Point References, Indicating Labels, Crayons, Cements and Lacquers, Infrared Temperature Measurement Instruments, Recorders Relative Humidity Measurement Instruments, RTD Probes, Elements and Assemblies, Temperature & Process Meters, Timers and Counters, Temperature and Process Controllers and Power Switching Devices, Thermistor Elements, Probes and Assemblies, Thermocouples Thermowells and Head and Well Assemblies, Transmitters, Wire

• Flow and Level

Air Velocity Indicators, Doppler Flowmeters, Level Measurement, Magnetic Flowmeters, Mass Flowmeters, Pitot Tubes, Pumps, Rotameters, Turbine and Paddle Wheel Flowmeters, Ultrasonic Flowmeters, Valves, Variable Area Flowmeters, Vortex Shedding Flowmeters

• pH and Conductivity

Conductivity Instrumentation, Dissolved Oxygen Instrumentation, Environmental Instrumentation, pH Electrodes and Instruments, Water and Soil Analysis Instrumentation

• Data Acquisition

Auto-Dialers and Alarm Monitoring Systems, Communication Products and Converters, Data Acquisition and Analysis Software, Data Loggers Plug-in Cards, Signal Conditioners, USB, RS232, RS485 and Parallel Port Data Acquisition Systems, Wireless Transmitters and Receivers

• Pressure, Strain and Force

Displacement Transducers, Dynamic Measurement Force Sensors, Instrumentation for Pressure and Strain Measurements, Load Cells, Pressure Gauges, Pressure Reference Section, Pressure Switches, Pressure Transducers, Proximity Transducers, Regulators, Strain Gages, Torque Transducers, Valves

• Heaters

Band Heaters, Cartridge Heaters, Circulation Heaters, Comfort Heaters, Controllers, Meters and Switching Devices, Flexible Heaters, General Test and Measurement Instruments, Heater Hook-up Wire, Heating Cable Systems, Immersion Heaters, Process Air and Duct, Heaters, Radiant Heaters, Strip Heaters, Tubular Heaters