



# PADDLEWHEEL FLOW AND TEMPERATURE SENSOR

FP7001A

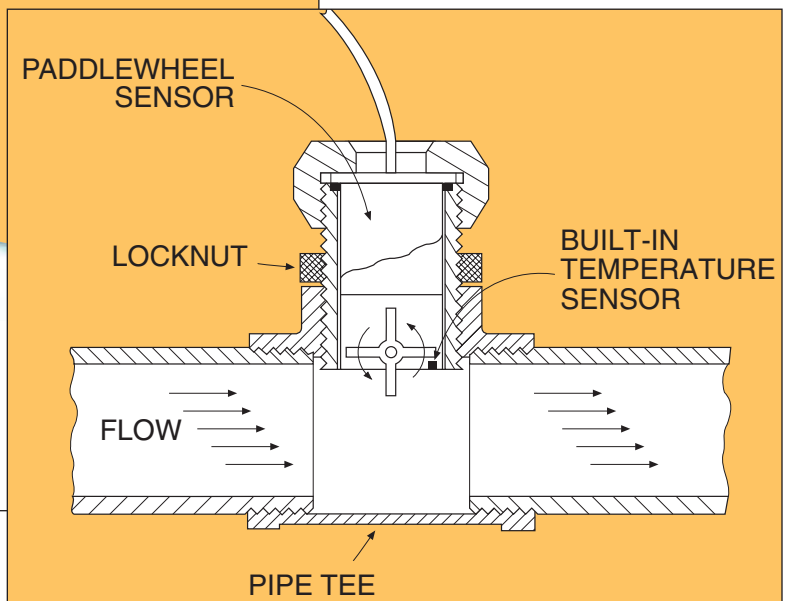
**\$240**



**FREE Built-In Temperature Sensor with Analog Output!**

- ✓ Measures Both Flow and Temperature Simultaneously
- ✓ Very Economical
- ✓ Wide Chemical Compatibility
- ✓ High Level Pulse Output for Flow—No Amplifier Needed
- ✓ 10mV/°C Analog Temperature Output

FP7001A, \$240, with FP7010, \$77, installation fitting, shown smaller than actual size.



The OMEGA® FP7001A paddlewheel flow and temperature sensor is ideal for accurate monitoring of typical industrial water flows, hard-to-handle corrosive aqueous solutions, and high purity fluids (see "Wetted Materials" for details). The FP7001A utilizes a paddlewheel-like rotor whose motion is converted into a high-level square wave pulse output by an open collector Hall effect sensor. Pulse amplitudes from 5 to 18 V are possible, depending on input power. The FPW-15 120 Vac converter plugs directly into a wall socket and outputs a regulated 15 Vdc at 400 mA.

The DPF700 Series panel meter supplies power for the flow sensor and provides rate indication, or totalization and batch control (when ordered with the dual relay option). When ordered with the analog output option, the DPF700 can be used to interface the FP7001A flow signal to such items as strip chart recorders, dataloggers, and computer interfaces.

The system consists of the flow sensor, an installing fitting, and the electronics. The PVC tee fittings are supplied with a PVC locking nut,

and the galvanized iron tee fittings are supplied with a brass locking nut to provide secure metal-to-metal mounting to the threaded brass insert.

The FP7001A is not compatible with FP-5300 or FMG-5300 Series installation fittings. When powered by the FPW-5 five Vdc wall socket converter, the FP7001A has a TTL level pulse output which can be used with a variety of pulse input flow indicators, signal conditioners and controllers. It is not compatible with the FPM 5500/5740.



**MEASURES BOTH  
FLOW & TEMPERATURE!**



DPF700 Series compatible indicators, for flowrate, total or batch control, \$280 (sold separately); iSeries Indicators for temperature measurement (sold separately). Please see page M-5 for details.

**SPECIFICATIONS**

- Accuracy:** ±2% of full scale
- Repeatability:** ±1% of full scale
- Power:** 5 to 18 Vdc @ 10 mA maximum
- Wetted Materials:** FP7001A sensor: polypropylene body, PVDF paddle, FKM O-ring, 316SS shaft. Galvanized iron tee includes brass insert and locking nut. PVC tee has PVC insert and locking nut.
- Fluid Temperature/Pressure Range:** Do not exceed the maximum ratings of your piping. Depending on the material of the fitting, the operating temperature/pressure may be limited by your piping and not by the sensor. For all PVC tee fittings, do not exceed 150 psig @ 27°C (80°F), 100 psig @ 38°C (100°F), 60 psig @ 49°C (120°F) 30 psig @ 60°C (140°F), due to the insert in the tee. FP7001A sensor: 0 to 26°C (32 to 80°F) up to 150 psig; max. pressure decreases 1.1 psig per each 0.56°C (1°F) above 27°C (80°F) for a max temperature of 93°C (200°F) at 18 psig max
- Frequency Output:** Nominal 1 Hz/fps. amplitude of open collector pulse = Vdc input power
- Cable Length:** 2.4 m (8')
- Weight:**

- FP7001A:** 0.2 kg (½ lb)
- Max Viscosity:** 5 cps

**Temperature Sensor Specifications**

- Range:** 2 to 150°C (36 to 302°F)
- Accuracy:** ±1°C
- Output:** 10 mV/°C
- Power:** 5 to 18 Vdc

FP7001A, \$240, with FP7010-GI, \$110, shown smaller than actual size.

**FREE Built-In Temperature Sensor with Analog Output!**



Available with PVC or galvanized iron fittings. Please see required installation fittings table below.

**AVAILABLE FOR FAST DELIVERY!**

**To Order (Specify Model Number)**

Model No.	Price	Description
FP7001A	\$240	Polypropylene body/316SS shaft with temp sensor
FLSC-100	165	Transmitter module for FP7001A
FPW-15	75	15 Vdc power supply

Recommended Reference Book: Flow Measurement Engineering Book, OP-9, \$135. Visit [omega.com/bobi](http://omega.com/bobi) for Additional Books

**Required Installation Fittings (Includes Locking Nut)**

PVC, Schedule 40				Galvanized Iron Tee				
Model No.	Price	Lay Length meters (in)	K Factor	Model No.	Price	Pipe Size NPT	K Factor	Range (GPM)
FP7007	\$77	0.53 (21)	108.78	FP7007-GI	\$125	¾	159.85	2 to 30
FP7010	77	0.66 (26)	70.53	FP7010-GI	110	1	82.94	3 to 50
FP7012	80	0.79 (31.25)	41.16	FP7012-GI	110	1¼	48.81	5 to 90
FP7015	90	0.95 (37.5)	29.46	FP7015-GI	100	1½	35.52	7 to 125
FP7020	100	1.27 (50)	15.52	FP7020-GI	105	2	20.62	11 to 205
FP7025	105	1.59 (62.5)	11.40	FP7025-GI	150	2½	12.44	15 to 285
FP7030	125	1.91 (75)	6.64	FP7030-GI	170	3	7.22	25 to 460

Each transmitter/fitting system comes factory calibrated with operator's manual.

**Note:** Your transmitter and fitting must be ordered as a system; see examples below.

**Ordering Examples:** FP7001A plus FP7007, paddlewheel sensor and 2 to 30 GPM fitting, \$240 + 77 = \$317.

FP7001A plus FP7010-GI, sensor with 3 to 50 iron tee GPM fitting, \$240 + 110 = \$350.

**To purchase a complete system, order:**

- 1) Flow Sensor
- 2) Installation Fitting
- 3) Electronics

**Ordering Example:**

FP7001A sensor (polypropylene body/316SS shaft), FP7012 PVC installation fitting, and DPF701 panel meter, \$240 + 80 + 280 = \$600. For details on DPF700 Series see page M-5.



#### UNITED STATES

[www.omega.com](http://www.omega.com)  
1-800-TC-OMEGA  
Stamford, CT.

#### CANADA

[www.omega.ca](http://www.omega.ca)  
Laval(Quebec)  
1-800-TC-OMEGA

#### GERMANY

[www.omega.de](http://www.omega.de)  
Deckenpfronn, Germany  
0800-8266342

#### UNITED KINGDOM

[www.omega.co.uk](http://www.omega.co.uk)  
Manchester, England  
0800-488-488

#### FRANCE

[www.omega.fr](http://www.omega.fr)  
Guyancourt, France  
088-466-342

#### CZECH REPUBLIC

[www.omegaeng.cz](http://www.omegaeng.cz)  
Karviná, Czech Republic  
596-311-899

#### BENELUX

[www.omega.nl](http://www.omega.nl)  
Amstelveen, NL  
0800-099-33-44



## More than 100,000 Products Available!

### • Temperature

Calibrators, Connectors, General Test and Measurement Instruments, Glass Bulb Thermometers, Handheld Instruments for Temperature Measurement, Ice Point References, Indicating Labels, Crayons, Cements and Lacquers, Infrared Temperature Measurement Instruments, Recorders Relative Humidity Measurement Instruments, RTD Probes, Elements and Assemblies, Temperature & Process Meters, Timers and Counters, Temperature and Process Controllers and Power Switching Devices, Thermistor Elements, Probes and Assemblies, Thermocouples Thermowells and Head and Well Assemblies, Transmitters, Wire

### • Flow and Level

Air Velocity Indicators, Doppler Flowmeters, Level Measurement, Magnetic Flowmeters, Mass Flowmeters, Pitot Tubes, Pumps, Rotameters, Turbine and Paddle Wheel Flowmeters, Ultrasonic Flowmeters, Valves, Variable Area Flowmeters, Vortex Shedding Flowmeters

### • pH and Conductivity

Conductivity Instrumentation, Dissolved Oxygen Instrumentation, Environmental Instrumentation, pH Electrodes and Instruments, Water and Soil Analysis Instrumentation

### • Data Acquisition

Auto-Dialers and Alarm Monitoring Systems, Communication Products and Converters, Data Acquisition and Analysis Software, Data Loggers Plug-in Cards, Signal Conditioners, USB, RS232, RS485 and Parallel Port Data Acquisition Systems, Wireless Transmitters and Receivers

### • Pressure, Strain and Force

Displacement Transducers, Dynamic Measurement Force Sensors, Instrumentation for Pressure and Strain Measurements, Load Cells, Pressure Gauges, Pressure Reference Section, Pressure Switches, Pressure Transducers, Proximity Transducers, Regulators, Strain Gages, Torque Transducers, Valves

### • Heaters

Band Heaters, Cartridge Heaters, Circulation Heaters, Comfort Heaters, Controllers, Meters and Switching Devices, Flexible Heaters, General Test and Measurement Instruments, Heater Hook-up Wire, Heating Cable Systems, Immersion Heaters, Process Air and Duct, Heaters, Radiant Heaters, Strip Heaters, Tubular Heaters