

TUNING FORK SENSORS

LTU-101-R
\$270

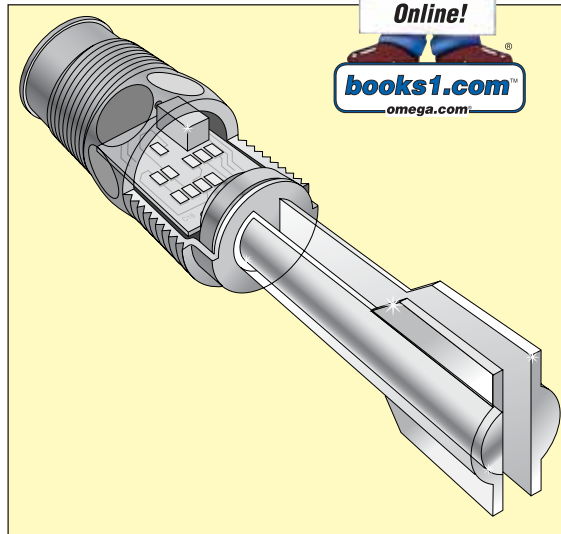


- ✓ All-Plastic Design Works in Wide Variety of Applications
- ✓ Not Bothered by Foam or Bubbles
- ✓ SPST Relay Std
- ✓ Excellent for Use in Food, Pharmaceutical, and Wastewater Applications
- ✓ NEMA 6 (IP68) Submersible Sensor and Cable
- ✓ Works with Liquids and Slurries

The LTU-100 Series consists of a sensor with dual tuning forks which are vibrated at a high frequency. As the tuning fork is progressively covered by a liquid, a shift in frequency occurs which activates the relay output. The tuning fork sensor is often used in conditions where there may be frequent composition changes in the liquid. Factory calibration ensures accuracy over a wide range of liquids, including lubricating oils and hydraulic fluids.

SPECIFICATIONS

Accuracy: ±1 mm (0.04") in water
Repeatability: ±0.5 mm (0.02") in water
Frequency: 400 Hz
Supply Voltage: 12 to 36 Vdc
Consumption: 25 mA max.
Relay:
 GP: 120 Vac/Vdc @ 1A
 CE: 60 Vac/Vdc @ 1A
Switch Output:
 Selectable NO or NC states
Temperature Range:
 -40 to 90°C (-40 to 194°F)
Pressure Range: 150 psi (10 bar)
 @ 25°C (76°F); derated @ 1.667 psi
 (0.113 bar) per °C above 25°C (76°F)
Probe Material: PP/PPS (40% glass)
Probe Rating: NEMA 6 (IP68)
Mounting Threads: ¼" NPT
Cable Type: 3 m (10'), 3-wire, 22 gauge
 with ground, shield and PP jacket
Max. Cable Run: 305 m (1000')
Dimensions: 114.3 x 26.7 mm
 (4.5 x 1.05"), ¼" NPT



AVAILABLE FOR FAST DELIVERY!

To Order (Specify Model Number)

Model No.	Price	Description
LTU-101-R	\$270	Tuning fork sensor, polypropylene/Ryton

Comes with complete operator's manual, CE compliance.
 Two extended cable lengths available for 7.6 m (25'), add "-25", or for 15.2 m (50'), add "-50." Add \$1.00 per foot.
Ordering Example: LTU-101-R, polypropylene tuning fork sensor, \$270.

Accessory

Model No.	Price	Description
ES-2207	\$99	Reference Book: Handbook of Water and Wastewater Treatment Technologies



LTU-101-R, \$270, shown larger than actual size.



UNITED STATES

www.omega.com
1-800-TC-OMEGA
Stamford, CT.

CANADA

www.omega.ca
Laval(Quebec)
1-800-TC-OMEGA

GERMANY

www.omega.de
Deckenpfronn, Germany
0800-8266342

UNITED KINGDOM

www.omega.co.uk
Manchester, England
0800-488-488

FRANCE

www.omega.fr
Guyancourt, France
088-466-342

CZECH REPUBLIC

www.omegaeng.cz
Karviná, Czech Republic
596-311-899

BENELUX

www.omega.nl
Amstelveen, NL
0800-099-33-44



More than 100,000 Products Available!

• Temperature

Calibrators, Connectors, General Test and Measurement Instruments, Glass Bulb Thermometers, Handheld Instruments for Temperature Measurement, Ice Point References, Indicating Labels, Crayons, Cements and Lacquers, Infrared Temperature Measurement Instruments, Recorders Relative Humidity Measurement Instruments, RTD Probes, Elements and Assemblies, Temperature & Process Meters, Timers and Counters, Temperature and Process Controllers and Power Switching Devices, Thermistor Elements, Probes and Assemblies, Thermocouples Thermowells and Head and Well Assemblies, Transmitters, Wire

• Flow and Level

Air Velocity Indicators, Doppler Flowmeters, Level Measurement, Magnetic Flowmeters, Mass Flowmeters, Pitot Tubes, Pumps, Rotameters, Turbine and Paddle Wheel Flowmeters, Ultrasonic Flowmeters, Valves, Variable Area Flowmeters, Vortex Shedding Flowmeters

• pH and Conductivity

Conductivity Instrumentation, Dissolved Oxygen Instrumentation, Environmental Instrumentation, pH Electrodes and Instruments, Water and Soil Analysis Instrumentation

• Data Acquisition

Auto-Dialers and Alarm Monitoring Systems, Communication Products and Converters, Data Acquisition and Analysis Software, Data Loggers Plug-in Cards, Signal Conditioners, USB, RS232, RS485 and Parallel Port Data Acquisition Systems, Wireless Transmitters and Receivers

• Pressure, Strain and Force

Displacement Transducers, Dynamic Measurement Force Sensors, Instrumentation for Pressure and Strain Measurements, Load Cells, Pressure Gauges, Pressure Reference Section, Pressure Switches, Pressure Transducers, Proximity Transducers, Regulators, Strain Gages, Torque Transducers, Valves

• Heaters

Band Heaters, Cartridge Heaters, Circulation Heaters, Comfort Heaters, Controllers, Meters and Switching Devices, Flexible Heaters, General Test and Measurement Instruments, Heater Hook-up Wire, Heating Cable Systems, Immersion Heaters, Process Air and Duct, Heaters, Radiant Heaters, Strip Heaters, Tubular Heaters