

OMEGA-FLO® “BLACK MUSHROOM” ANGLE SEAT VALVES

2-Way Piston-Operated Valves for Liquids, Gases, and Steam
½ to 2 NPT

SV-2000 Series
Starts at

\$240



- ✓ Alternative to Complex Actuated Ball Valves
- ✓ Ideal for All Neutral and Some Aggressive Fluids
- ✓ Optical Position Indication Standard
- ✓ High Cycle Life, Very Cost Effective
- ✓ Available in Bronze or Stainless Steel Body
- ✓ Spring-Loaded, Double Stem Seal
- ✓ For Water, Steam, Compressed Air, Natural Gas, Oil, or Vacuum Service

APPLICATIONS

- ✓ Air Drying Equipment
- ✓ Industrial Compressors
- ✓ Sterilizers
- ✓ Pollution Control Equipment
- ✓ Autoclaves
- ✓ Bottling, CIP, and Laundry Equipment
- ✓ Textile Dyeing and Drying

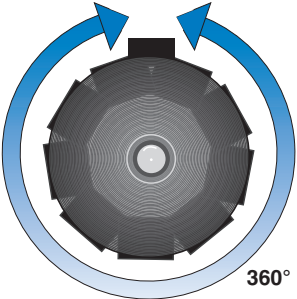
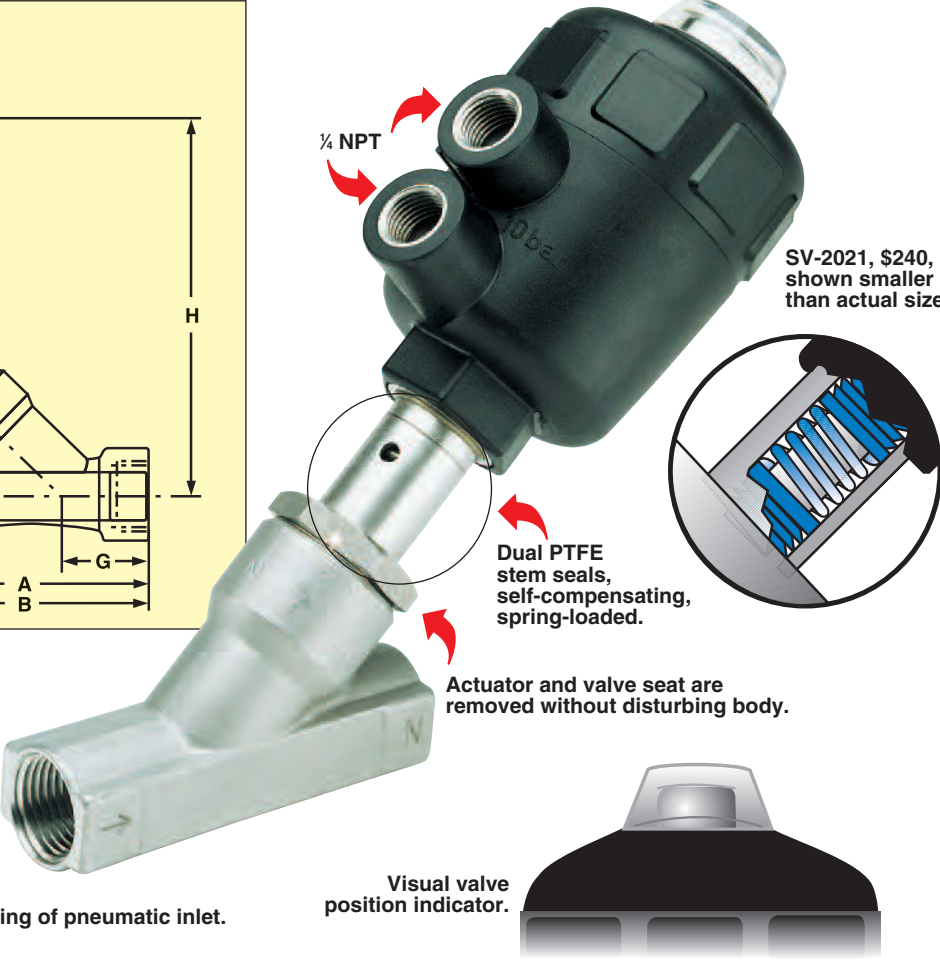
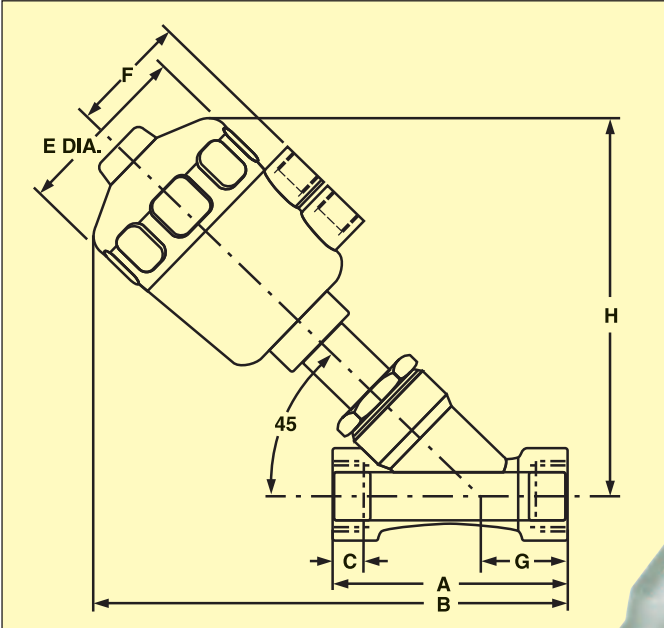
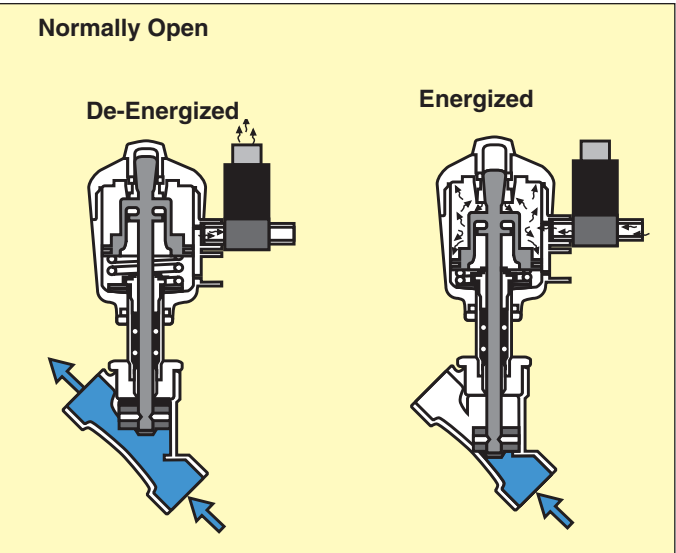
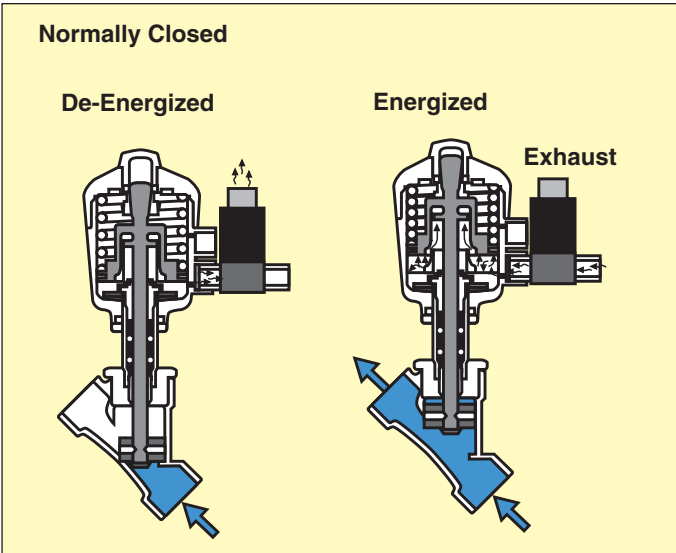
SV-2000 Series “black mushroom” angle seat valves are ideal for on/off fluid control applications in which an actuated ball valve might normally be used. These 2-way, externally piloted valves are operated by a single- or double-acting piston actuator. Sizes range from ½ to 2 NPT. The average life of SV-2000 valves is twice that of ball

valves, and they are less expensive! In addition, their compact design makes them easier to use in OEM applications. Easy to install, they feature a rotatable actuator for selective positioning of the pneumatic pilot inlet port. Standard features include visual



SV-2021, \$240.

position indicators, an articulated seat holder that ensures positive seating, and spring-loaded double PTFE seals that separate and isolate the process fluid. Maintenance is simple. During replacement of the seat seal, the valve body remains in the line. Servicing the actuator is safe and fast, since there is no pre-loaded spring tension on the housing.



Dimensions: mm (in)

| Function | NO/NC Units | | | Normally Closed (NC) Units | | | | Normally Open (NO) Units | | | |
|-------------------|-------------|------------|------------|----------------------------|-------------|-------------|-------------|--------------------------|------------|-------------|-------------|
| Port Size | 1/2" | 3/4" | 1" | 1 1/4" | 1 1/2" | 2" | 2 1/2" | 1 1/4" | 1 1/2" | 2" | 2 1/2" |
| A | 85 (3.35) | 95 (3.74) | 105 (4.13) | 120 (4.72) | 130 (5.12) | 150 (5.90) | 185 (7.28) | 120 (4.72) | 230 (5.12) | 150 (5.90) | 185 (7.28) |
| B | 173 (6.81) | 178 (7.01) | 212(8.35) | 255 (10.04) | 301 (11.85) | 346 (13.62) | 372 (14.64) | 226 (8.90) | 250 (9.84) | 270 (10.63) | 296 (11.65) |
| C | 12 (0.47) | 12 (0.47) | 14 (0.55) | 16 (0.63) | 18 (0.71) | 20 (0.79) | 22 (0.87) | 16 (0.63) | 18 (0.71) | 20 (0.79) | 22 (0.87) |
| E | 64 (2.52) | 64 (2.52) | 80 (3.15) | 101 (3.98) | 127 (5.00) | 153 (6.02) | 153 (6.02) | 80 (3.15) | 101 (3.98) | 101 (3.98) | 101 (3.98) |
| F | 44 (1.73) | 44 (1.73) | 52 (2.05) | 60 (2.36) | 73 (2.87) | 86 (3.38) | 86 (3.38) | 52 (2.05) | 60 (2.36) | 60 (2.36) | 60 (2.36) |
| G | 33 (1.30) | 36 (1.42) | 39 (1.53) | 41 (1.61) | 41 (1.61) | 45 (1.77) | 57 (2.24) | 41 (1.61) | 41 (1.61) | 45 (1.77) | 57 (2.24) |
| H | 137 (5.39) | 145 (5.71) | 173 (6.81) | 210 (8.27) | 260 (10.24) | 301 (11.85) | 315 (12.40) | 186 (7.32) | 213 (8.38) | 225 (8.86) | 239 (9.41) |
| Actuator ø | 50.8 (2.0) | 50.8(2.0) | 63.5 (2.5) | 78.7 (3.1) | 99 (3.9) | 124.5(4.9) | 124.5 (4.9) | 3.5 (2.5) | 78.7 (3.1) | 78.7(3.1) | 78.7 (3.1) |

SPECIFICATIONS

Materials

Valve Body: Bronze or 316 SS

Flange and Spindle: 316 SS

Seat Seal: PTFE

Gland Packing: PTFE and FKM
O-rings with spring compensation

Springs: Piston return, gland
packing compensator

Actuator Housing: Polyimide

Pilot Fluid: Air, neutral gases

Pilot Connections: ¼"

Min Control Pressure:

See ordering matrix

Max Control Pressure: 140 psi

Temperature

Ambient: -10 to 60°C (14 to 140°F)

Fluid: -10 to 180°C (14 to 356°F)



SV-1601A, \$205, shown larger than actual size.

Recommended Pilot Valves

| Model No. | Page, Price | Description | Body Material | Port Size | Orifice Size | Coil Voltage |
|-----------|---|--|---------------|-----------|--------------|--------------|
| SV-1601A | omega.com/sv1600 \$205 | 3-way, internally valve with epoxy piloted poppet encapsulated coil and Buna seals | Plastic | ¼" | ¼" | 0.97 Cv |

MOST POPULAR MODELS HIGHLIGHTED!

To Order (Specify Model Number)

Stainless Steel

| Model No. | Price | Port Size (NPT) | C _v | Max Operating Pressure/Differential Pressure (psi) | Control Function | Actuator Size mm (in) | Min Control Pressure, psi (NC Only) | Wt. kg (lb) |
|---------------|-------|-----------------|----------------|--|------------------|-----------------------|-------------------------------------|-------------|
| SV-2001 | \$390 | ½ | 4.9 | 230 | NC | 50 (1.97) | 55 | 0.8 (1.8) |
| SV-2002 | 390 | ½ | 4.9 | 230 | NO | 50 (1.97) | | 0.8 (1.8) |
| SV-2003 | 410 | ¾ | 9.3 | 115 | NC | 50 (1.97) | | 1.0 (2.1) |
| SV-2005 | 490 | 1 | 22.1 | 140 | NC | 63 (2.48) | 65 | 1.8 (4.0) |
| SV-2011 | 1100 | 2 | 64.1 | 170 | NC | 125 (4.92) | | 10.2 (22.5) |
| Bronze | | | | | | | | |
| SV-2021 | \$240 | ½ | 4.9 | 230 | NC | 50 (1.97) | 55 | 0.8 (1.8) |
| SV-2025 | 265 | 1 | 22.1 | 140 | NC | 63 (2.48) | | 1.8 (4.0) |
| SV-2027 | 500 | 1¼ | 32.0 | 205 | NC | 80 (3.15) | 65 | 2.5 (6.8) |
| SV-2031 | 675 | 2 | 64.1 | 170 | NC | 125 (4.92) | | 10.2 (22.5) |

Comes complete with operator's manual.

Ordering Example: SV-2025, bronze valve, 1 NPT, 22.1 C_v, 140 max operating pressure, NC operation, \$265.



UNITED STATES

www.omega.com
1-800-TC-OMEGA
Stamford, CT.

CANADA

www.omega.ca
Laval(Quebec)
1-800-TC-OMEGA

GERMANY

www.omega.de
Deckenpfronn, Germany
0800-8266342

UNITED KINGDOM

www.omega.co.uk
Manchester, England
0800-488-488

FRANCE

www.omega.fr
Guyancourt, France
088-466-342

CZECH REPUBLIC

www.omegaeng.cz
Karviná, Czech Republic
596-311-899

BENELUX

www.omega.nl
Amstelveen, NL
0800-099-33-44



More than 100,000 Products Available!

• Temperature

Calibrators, Connectors, General Test and Measurement Instruments, Glass Bulb Thermometers, Handheld Instruments for Temperature Measurement, Ice Point References, Indicating Labels, Crayons, Cements and Lacquers, Infrared Temperature Measurement Instruments, Recorders Relative Humidity Measurement Instruments, RTD Probes, Elements and Assemblies, Temperature & Process Meters, Timers and Counters, Temperature and Process Controllers and Power Switching Devices, Thermistor Elements, Probes and Assemblies, Thermocouples Thermowells and Head and Well Assemblies, Transmitters, Wire

• Flow and Level

Air Velocity Indicators, Doppler Flowmeters, Level Measurement, Magnetic Flowmeters, Mass Flowmeters, Pitot Tubes, Pumps, Rotameters, Turbine and Paddle Wheel Flowmeters, Ultrasonic Flowmeters, Valves, Variable Area Flowmeters, Vortex Shedding Flowmeters

• pH and Conductivity

Conductivity Instrumentation, Dissolved Oxygen Instrumentation, Environmental Instrumentation, pH Electrodes and Instruments, Water and Soil Analysis Instrumentation

• Data Acquisition

Auto-Dialers and Alarm Monitoring Systems, Communication Products and Converters, Data Acquisition and Analysis Software, Data Loggers Plug-in Cards, Signal Conditioners, USB, RS232, RS485 and Parallel Port Data Acquisition Systems, Wireless Transmitters and Receivers

• Pressure, Strain and Force

Displacement Transducers, Dynamic Measurement Force Sensors, Instrumentation for Pressure and Strain Measurements, Load Cells, Pressure Gauges, Pressure Reference Section, Pressure Switches, Pressure Transducers, Proximity Transducers, Regulators, Strain Gages, Torque Transducers, Valves

• Heaters

Band Heaters, Cartridge Heaters, Circulation Heaters, Comfort Heaters, Controllers, Meters and Switching Devices, Flexible Heaters, General Test and Measurement Instruments, Heater Hook-up Wire, Heating Cable Systems, Immersion Heaters, Process Air and Duct, Heaters, Radiant Heaters, Strip Heaters, Tubular Heaters