

OMEGA-FLO® 2-WAY ZERO DIFFERENTIAL SOLENOID VALVES

SV3500 Series
Starts at

\$138



- ✓ Normally Closed, Assisted Lift Design
- ✓ Ideal for Compressed Air, Inert Gas, and Water
- ✓ Process Temperature to 90°C (195°F)
- ✓ 8 W, AC Coils Standard
- ✓ 12 or 14 W, AC or DC Coils Available

SV-3500 Series 2-way zero differential solenoid valves are internally piloted with assisted lift valves featuring Brass, stainless steel construction and NBR and PA seal material. The temperature range from -10 to 90°C (14 to 195°F) is ideal for neutral media such as compressed air, inert gases, and water.

A strain-relief connector is supplied with each unit. A ½" conduit plug is also available.

SPECIFICATIONS

Mounting Position: Any (preferably with solenoid system upright)

Max. Process Temp: -10 to 90.5°C (14°F to 195°F) due to NBR (Buna) and PA (polyimide)

Max Ambient Temp: Coil Dependent (See ratings on coils)

Voltage Tolerance: ±10%

Opening Time (msec):

AC and DC:

100 to 1000 approximately

Closing Time (msec):

AC and DC:

700 to 4000 approximately

Cycling Rate: Approx. 10 to 20 cpm

Duty Cycle: Continuous (100%)



SV3501, \$138, shown larger than actual size.

Materials of Construction

Body	Brass
Armature Tube	Stainless Steel 300
Fixed Core	Stainless Steel 400
Plunger	Stainless Steel 400
Spring	Stainless Steel 300
Shading Ring	Copper
Orifice	Brass
Sealing Material	NBR and PA

Coil Specifications

Coil	Inrush VA	Holding VA
8 W	25	14
12 W	36	23
14 W	43	27

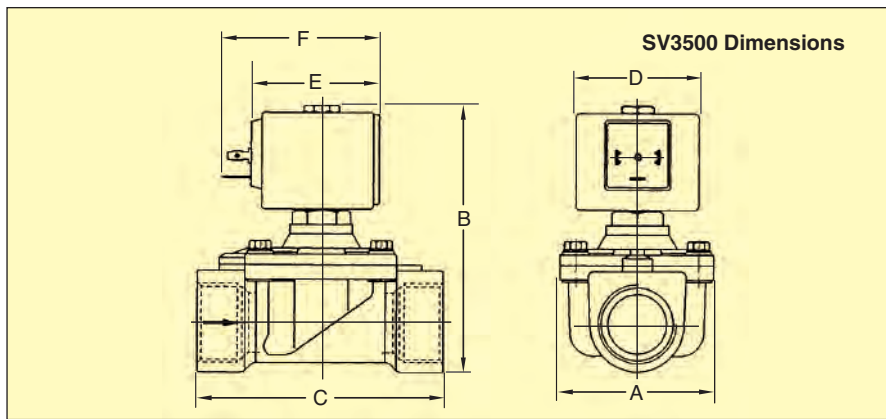
Coil Molding Material:

Black Polyester (Class F): SV8COIL-115AC, SV8COIL-24AC/60HZ, SV8COIL-220AC

Black Polyamide (Class F): SV8COIL-12DC, SV8COIL-24DC, all 12 Watt coils

Black Polyphenylsulfide (Class H): SV8COIL-115/60HZ

Black Epoxy Resin (Class H): All 14 Watt coils



Valve Dimensions			
Pipe Size	A	B	C
1/4, 3/8 NPT	1 ^{31/32} "	3 1/2"	2 ^{7/32} "
1/2, 3/4 NPT	1 ^{31/32} "	3 ^{15/16} "	2 ^{3/4} "
1 NPT	2 ^{9/16} "	4 ^{13/32} "	4 ^{3/32} "

Coil Dimensions			
Coil	D	E	F
8 W	1 ^{3/16} "	1 ^{21/32} "	2 ^{1/8} "
12 W	1 ^{7/16} "	1 ^{29/32} "	2 ^{3/8} "
14 W	2 ^{1/16} "	5 ^{7/32} "	2 ^{5/8} "

MOST POPULAR MODELS HIGHLIGHTED!

To Order (Specify Model Number)									
Model No.	Price	Pipe Size	Orifice Size	Cv Flow Factor	Coils		Operating Pressure		
					Standard	Optional	Min psi	M.O.P.D.*	
								AC psi	DC psi
SV3501	\$138	1/4"	7/16"	1.4	8 W		0	200	75
		1/4"	7/16"	1.4		12 or 14 W	0	200	200
SV3502	138	3/8"	7/16"	1.4	8 W		0	200	75
		3/8"	7/16"	1.4		12 or 14 W	0	200	200
SV3503	142	1/2"	5/8"	2.8	8 W		0	200	35
		1/2"	5/8"	2.8		12 or 14 W	0	200	160/200‡
SV3504	142	3/4"	5/8"	2.8	8 W		0	200	35
		3/4"	5/8"	2.8		12 or 14 W	0	200	160/200‡
SV3505	245	1"	1"	8.3	8 W		0	116	0
		1"	1"	8.3		12 or 14 W	0	200	22/85‡

* Maximum operational pressure differential.

‡ Ratings for 12 W/14 W as shown.

Accessories

Model No.	Price	Description
Connectors		
SV-CGC	\$9	Replacement cable grip connector
SV-CC	9	1/2" conduit connector
Coils		
SV8COIL-115AC	\$20	Replacement 8 W coil for 110 to 120 Vac/50 to 60 Hz 154°C (310°F) (Class F)
SV8COIL-12DC	20	8 W coil for 12 Vdc 154°C (310°F) (Class F)
SV8COIL-24DC	20	8 W coil for 24 Vdc 154°C (310°F) (Class F)
SV8COIL-24AC/60HZ	20	8 W coil for 24 Vac/60Hz 154°C (310°F) (Class F)
SV8COIL-220AC	20	8 W coil for 220 to 240 Vac/50 to 60 Hz 154°C (310°F) (Class F)
SV8COIL-115/60HZ	28	8 W coil for 115 Vac/60 Hz 182°C (360°F) (Class H)
SV12COIL-120/60HZ	28	12 W coil for 120 Vac/60 Hz 154°C (310°F) (Class F)
SV12COIL-12DC	28	12 W coil for 12 Vdc 154°C (310°F) (Class F)
SV12COIL-24DC	28	12 W coil for 24 Vdc 154°C (310°F) (Class F)
SV14COIL-24DC	60	14 W coil for 24 Vdc 182°C (360°F) (Class H)
SV14COIL-24/50-60HZ	60	14 W coil for 24 Vdc/50 to 60Hz 182°C (360°F) (Class H)
SV14COIL-12DC	60	14 W coil for 12 Vdc 182°C (360°F) (Class H)
Repair Kits (Include Diaphragm, Spring, Plunger, and O-rings)		
VRK-3512	\$41	Repair kit for SV3501 and SV3502
VRK-3534	41	Repair kit for SV3503 and SV3504
VRK-3505	41	Repair kit for SV3505

Comes complete with operator's manual, 8 W coil and cable grip connector.
Ordering Examples: SV3501, 1/4" valve for 7/16" orifice, \$138.
SV3503, 1/2" valve for 5/8" orifice, \$142.

Recommended Reference Book: Valve Handbook,
FW-306, \$135
 See Section Y For Additional Books



J



UNITED STATES

www.omega.com
1-800-TC-OMEGA
Stamford, CT.

CANADA

www.omega.ca
Laval(Quebec)
1-800-TC-OMEGA

GERMANY

www.omega.de
Deckenpfronn, Germany
0800-8266342

UNITED KINGDOM

www.omega.co.uk
Manchester, England
0800-488-488

FRANCE

www.omega.fr
Guyancourt, France
088-466-342

CZECH REPUBLIC

www.omegaeng.cz
Karviná, Czech Republic
596-311-899

BENELUX

www.omega.nl
Amstelveen, NL
0800-099-33-44



More than 100,000 Products Available!

• Temperature

Calibrators, Connectors, General Test and Measurement Instruments, Glass Bulb Thermometers, Handheld Instruments for Temperature Measurement, Ice Point References, Indicating Labels, Crayons, Cements and Lacquers, Infrared Temperature Measurement Instruments, Recorders Relative Humidity Measurement Instruments, RTD Probes, Elements and Assemblies, Temperature & Process Meters, Timers and Counters, Temperature and Process Controllers and Power Switching Devices, Thermistor Elements, Probes and Assemblies, Thermocouples Thermowells and Head and Well Assemblies, Transmitters, Wire

• Flow and Level

Air Velocity Indicators, Doppler Flowmeters, Level Measurement, Magnetic Flowmeters, Mass Flowmeters, Pitot Tubes, Pumps, Rotameters, Turbine and Paddle Wheel Flowmeters, Ultrasonic Flowmeters, Valves, Variable Area Flowmeters, Vortex Shedding Flowmeters

• pH and Conductivity

Conductivity Instrumentation, Dissolved Oxygen Instrumentation, Environmental Instrumentation, pH Electrodes and Instruments, Water and Soil Analysis Instrumentation

• Data Acquisition

Auto-Dialers and Alarm Monitoring Systems, Communication Products and Converters, Data Acquisition and Analysis Software, Data Loggers Plug-in Cards, Signal Conditioners, USB, RS232, RS485 and Parallel Port Data Acquisition Systems, Wireless Transmitters and Receivers

• Pressure, Strain and Force

Displacement Transducers, Dynamic Measurement Force Sensors, Instrumentation for Pressure and Strain Measurements, Load Cells, Pressure Gauges, Pressure Reference Section, Pressure Switches, Pressure Transducers, Proximity Transducers, Regulators, Strain Gages, Torque Transducers, Valves

• Heaters

Band Heaters, Cartridge Heaters, Circulation Heaters, Comfort Heaters, Controllers, Meters and Switching Devices, Flexible Heaters, General Test and Measurement Instruments, Heater Hook-up Wire, Heating Cable Systems, Immersion Heaters, Process Air and Duct, Heaters, Radiant Heaters, Strip Heaters, Tubular Heaters