

SOLENOID VALVE TIMERS

- ✓ Programmable for: Turn On, Turn Off or Pulse with 8 Different Time Spans
- ✓ Switching Times Adjustable Via Potentiometers Within Preselected Range
- ✓ Two Integrated Red LEDs Provide Control Status

SPECIFICATIONS

Supply Voltage: 110 to 230 V/50 to 60 Hz (standard)

Power Consumption: Max. 1.0 W

Switching Load:

$I_{max} = 0.5$ A at supply voltage
110 to 230 V/50-60 Hz

Note: Terminal voltage and current type must always equal the connected load of the solenoid valve

Cable Outlet: Rotatable in 90° steps

Poles: 2-pole and earth ground

Outlet: Connector pin assignment according to DIN 43 650

Contact: Plane contact similar to flat plug (DIN 46 247/48)

Connection: 3-pole terminal strip in the unit, max. wire diameter 1.5 mm (0.06"), PG-cable gland at 6 to 7 mm (0.24 to 0.28")

Classification: NEMA 4 (IP65), air gaps and leakage paths according to VDE 0100

Operating Temperature Range: 0 to 54°C (32 to 130°F)

Influence of Temperature on Response Time: ±5% of full scale time range

Influence of Voltage on Response Time: ±1% of full scale time range

Indicators: LED for connected power supply and energized load

Adjustment: Function and time range via DIP switch; precision adjustment of response times via potentiometer

Body Material: Polyimide plastic

Mounting: Cheesehead screw
M3 x 45 mm (1.8")

Weight: 60 g (2.1 oz)

Cycler: Connected valve is switched on and off periodically according to t_{ON} and t_{OFF} times set. "Cycler" function starts with t_{ON} .

Inverted Cycler: Circuit function of the cycler is actuated in reverse sequence of operation. "Inverted cycler" starts with t_{OFF} .

Switch-On Impulse: Once energized, the connected valve is operated for the preset time (t_{ON}). Then, the valve switches off until it is energized again.

Switch-On Delay: Once energized, the connected valve is switched only after the expiration of the preset time (t_{ON}) for the duration of the supply voltage being applied.

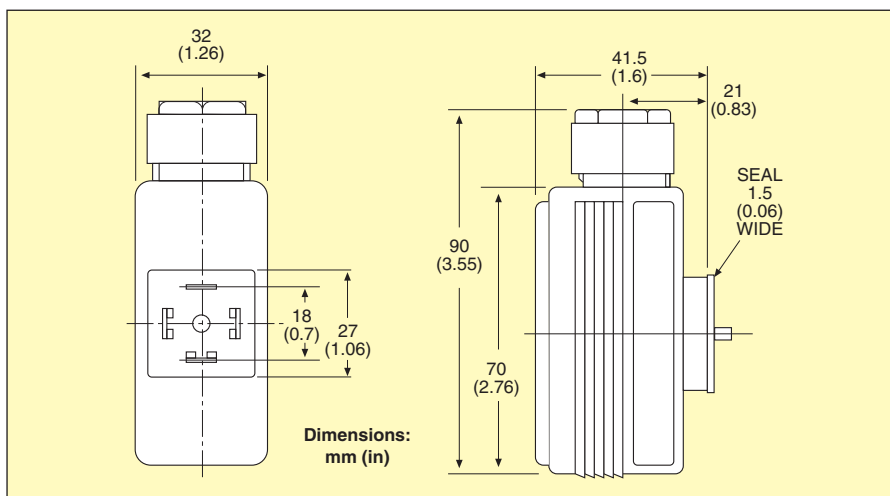
Time Ranges for t_{ON} and t_{OFF} : individually combinable: 0.5 to 10 sec; 1.5 to 30 sec; 5.0 to 100 sec; 0.5 to 10 min; 1.5 to 30 min; 5 to 100 min; 12 to 240 min; 0.5 to 10 hr

Delivery Status: $t_{ON} = 0.5$ to 10 sec;
 $t_{OFF} = 0.5$ to 10 sec, function pulse generator

SVT-1078A
\$122



SVT-1078A, \$122, shown larger than actual size.



AVAILABLE FOR FAST DELIVERY!

To Order
(Specify Model Number)

Model No.	Price	Description
SVT-1078A	\$122	Solenoid valve timer

Comes complete with operator's manual.
Ordering Example: SVT-1078A, solenoid valve timer, \$122.



UNITED STATES

www.omega.com
1-800-TC-OMEGA
Stamford, CT.

CANADA

www.omega.ca
Laval(Quebec)
1-800-TC-OMEGA

GERMANY

www.omega.de
Deckenpfronn, Germany
0800-8266342

UNITED KINGDOM

www.omega.co.uk
Manchester, England
0800-488-488

FRANCE

www.omega.fr
Guyancourt, France
088-466-342

CZECH REPUBLIC

www.omegaeng.cz
Karviná, Czech Republic
596-311-899

BENELUX

www.omega.nl
Amstelveen, NL
0800-099-33-44



More than 100,000 Products Available!

• Temperature

Calibrators, Connectors, General Test and Measurement Instruments, Glass Bulb Thermometers, Handheld Instruments for Temperature Measurement, Ice Point References, Indicating Labels, Crayons, Cements and Lacquers, Infrared Temperature Measurement Instruments, Recorders Relative Humidity Measurement Instruments, RTD Probes, Elements and Assemblies, Temperature & Process Meters, Timers and Counters, Temperature and Process Controllers and Power Switching Devices, Thermistor Elements, Probes and Assemblies, Thermocouples Thermowells and Head and Well Assemblies, Transmitters, Wire

• Flow and Level

Air Velocity Indicators, Doppler Flowmeters, Level Measurement, Magnetic Flowmeters, Mass Flowmeters, Pitot Tubes, Pumps, Rotameters, Turbine and Paddle Wheel Flowmeters, Ultrasonic Flowmeters, Valves, Variable Area Flowmeters, Vortex Shedding Flowmeters

• pH and Conductivity

Conductivity Instrumentation, Dissolved Oxygen Instrumentation, Environmental Instrumentation, pH Electrodes and Instruments, Water and Soil Analysis Instrumentation

• Data Acquisition

Auto-Dialers and Alarm Monitoring Systems, Communication Products and Converters, Data Acquisition and Analysis Software, Data Loggers Plug-in Cards, Signal Conditioners, USB, RS232, RS485 and Parallel Port Data Acquisition Systems, Wireless Transmitters and Receivers

• Pressure, Strain and Force

Displacement Transducers, Dynamic Measurement Force Sensors, Instrumentation for Pressure and Strain Measurements, Load Cells, Pressure Gauges, Pressure Reference Section, Pressure Switches, Pressure Transducers, Proximity Transducers, Regulators, Strain Gages, Torque Transducers, Valves

• Heaters

Band Heaters, Cartridge Heaters, Circulation Heaters, Comfort Heaters, Controllers, Meters and Switching Devices, Flexible Heaters, General Test and Measurement Instruments, Heater Hook-up Wire, Heating Cable Systems, Immersion Heaters, Process Air and Duct, Heaters, Radiant Heaters, Strip Heaters, Tubular Heaters