



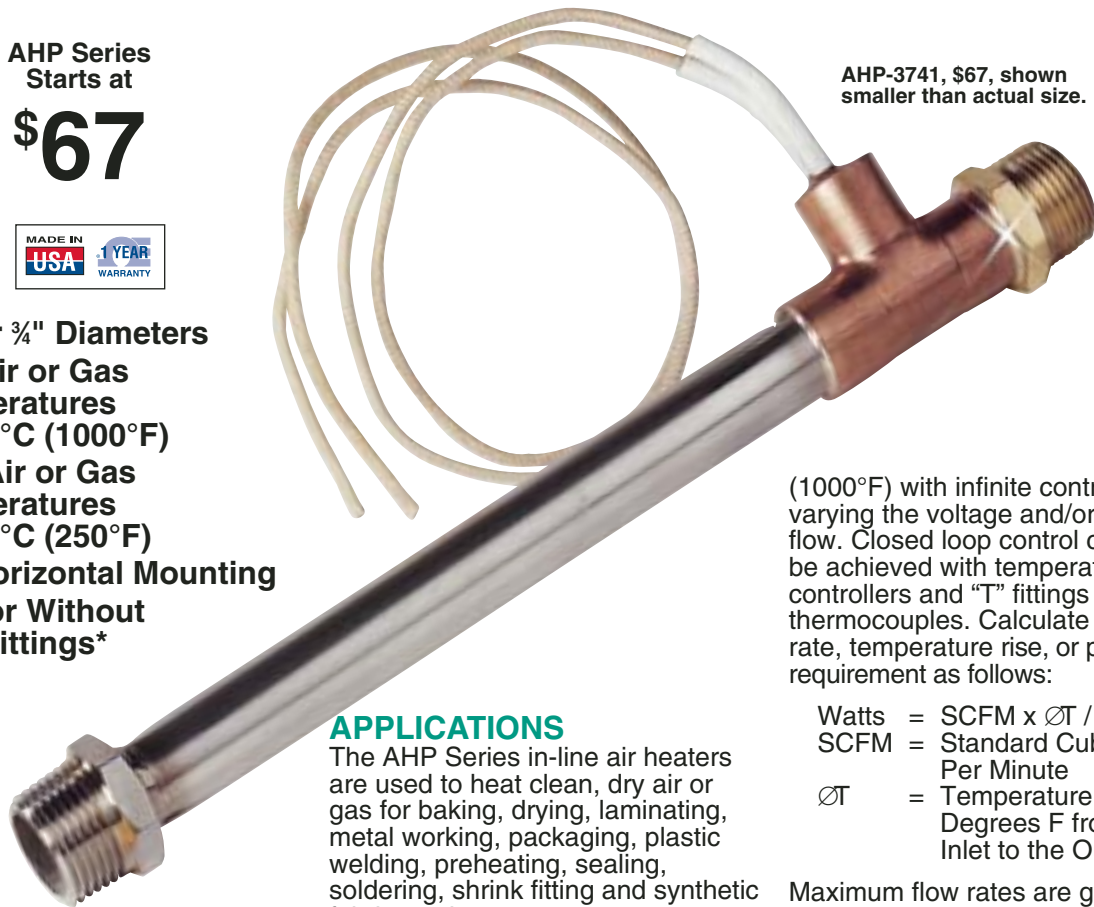
## “T” TYPE AIR PROCESS HEATERS

### For In-Line Air and Gas Heating

AHP Series Starts at  
**\$67**



- ✓ 3/8, 1/2 or 3/4" Diameters
- ✓ Exit Air or Gas Temperatures to 540°C (1000°F)
- ✓ Inlet Air or Gas Temperatures to 121°C (250°F)
- ✓ For Horizontal Mounting
- ✓ With or Without NPT Fittings\*



AHP-3741, \$67, shown smaller than actual size.

#### APPLICATIONS

The AHP Series in-line air heaters are used to heat clean, dry air or gas for baking, drying, laminating, metal working, packaging, plastic welding, preheating, sealing, soldering, shrink fitting and synthetic fabric sewing.

AHP series air process heaters provide hot air and gas up to 540°C

(1000°F) with infinite control by varying the voltage and/or the air flow. Closed loop control can also be achieved with temperature controllers and “T” fittings to mount thermocouples. Calculate the flow rate, temperature rise, or power requirement as follows:

$$\text{Watts} = \text{SCFM} \times \Delta T / 3$$

SCFM = Standard Cubic Feet Per Minute

$\Delta T$  = Temperature Rise in Degrees F from the Inlet to the Outlet

Maximum flow rates are given in the table below. For minimum flow rates, see table on page 120.

**MOST POPULAR MODELS HIGHLIGHTED!**

To Order (Specify Model Number)										
Model Number	Volts	Watts	Heated Length mm (in)	Watts/Inch†	Maximum CFM	Diameter mm (in)	NPT Fitting	Price	Weight g (lb)	
<b>120 Vac Models</b>										
AHP-3741	120	200	89 (3½)	57	8	10 (¾)	¼"	<b>\$67</b>	82	(0.18)
AHP-5051	120	400	114 (4½)	88	10	13 (½)	⅜"	<b>80</b>	113	(0.25)
AHP-7561	120	750	140 (5½)	136	20	19 (¾)	¾"	<b>105</b>	308	(0.68)
<b>120/240 Vac Models**</b>										
AHP-3742	120 240	50 200	89 (3½) 89 (3½)	14 57	8 8	10 (¾)	¼"	<b>67</b>	82	(0.18)
AHP-5052	120 240	100 400	11 (4½) 11 (4½)	22 80	10 10	13 (½)	⅜"	<b>80</b>	113	(0.25)
AHP-7562	120 240	190 750	14 (5½) 14 (5½)	34 136	20 20	19 (¾)	¾"	<b>105</b>	308	(0.68)

\* Note: To order heaters without NPT fittings add suffix “-NF” to model no. price for heaters without fittings is \$44 for AHP-374 Series, \$54 for AHP-505 Series, and \$68 for AHP-756 Series.

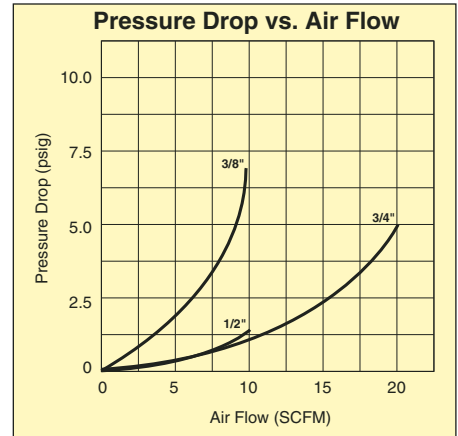
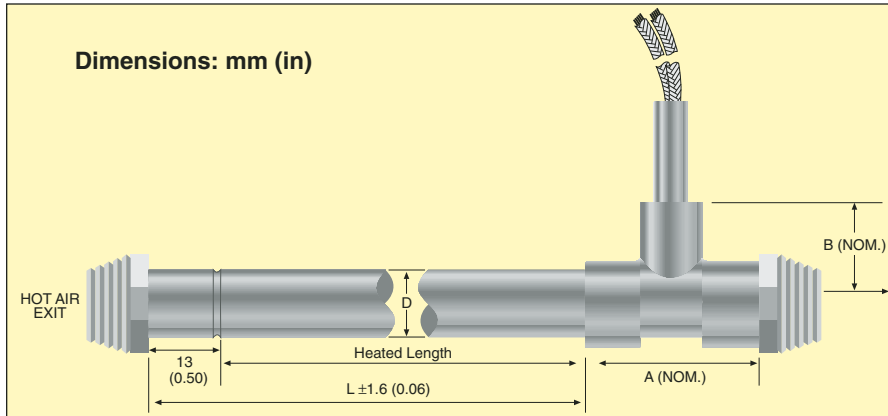
\*\* These air heaters can be operated on either 120 or 240V. Specifications are shown for operation on both 120 and 240V.

† Indicates watts per inch of heated length. Use the table above to determine minimum required flow rates. The watts per inch of heated length can be changed by reducing the operating voltage or by ordering a custom made heater.

Ordering Example: AHP-3741/120, 200 W, 120 Vac “T” Type in-line air/gas heater, \$67.



# PROCESS AIR & DUCT HEATERS



Dimensions: mm (in)

Series	Diameter	Heated Length	L	A	B
AHP-374	9.5 (3/8)	88.9 (3 1/2)	101.6 (4)	7.9 (5/16)	33.3 (1 1/16)
AHP-505	12.7 (1/2)	114.3 (4 1/2)	127.0 (5)	34.9 (1 3/8)	19 (3/4)
AHP-756	19.1 (3/4)	139.7 (5 1/2)	152.4 (6)	61.9 (2 3/8)	41.3 (1 5/8)

## SPECIFICATIONS

**Pressure Rating:** 80 PSIG

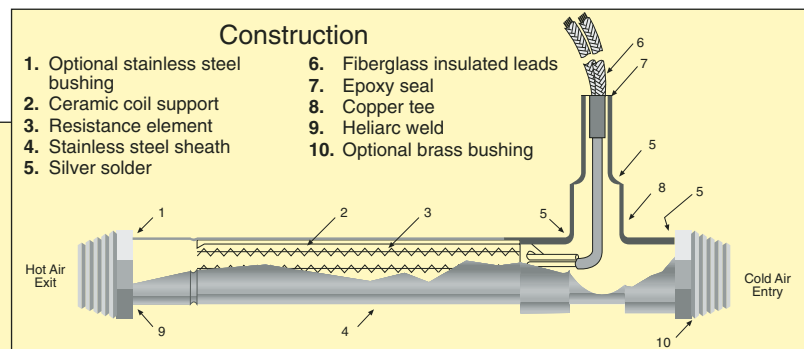
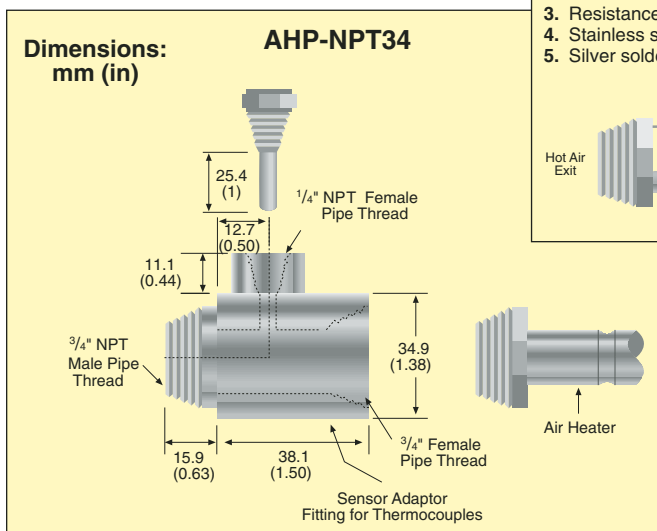
**Wattage Tolerance:** +5, -10% or better at the voltage specified

**Leads:**

0.3 m L (1') fiberglass insulated leads

## Maximum Watts Per Linear Inch of Heated Length

Minimum CFM Required	3/8" Dia.	1/2" Dia.	3/4" Dia.
1	60	80	120
2	60	80	120
4	100	100	120
6	150	150	150
8	200	200	200
10	-	250	250
15	-	-	375
20	-	-	500



## Thermocouple T-Fitting

The AHP-NPT34 fitting can be used with subminiature thermocouple probes (see the OMEGA Complete Temperature Measurement Handbook and Encyclopedia®) and with stainless steel compression fittings (Model SSLK-18-14) to monitor temperature at the outlet of the AHP-756 Series heaters.

Model Number	Price
AHP-NPT34	\$94



#### UNITED STATES

[www.omega.com](http://www.omega.com)  
1-800-TC-OMEGA  
Stamford, CT.

#### CANADA

[www.omega.ca](http://www.omega.ca)  
Laval(Quebec)  
1-800-TC-OMEGA

#### GERMANY

[www.omega.de](http://www.omega.de)  
Deckenpfronn, Germany  
0800-8266342

#### UNITED KINGDOM

[www.omega.co.uk](http://www.omega.co.uk)  
Manchester, England  
0800-488-488

#### FRANCE

[www.omega.fr](http://www.omega.fr)  
Guyancourt, France  
088-466-342

#### CZECH REPUBLIC

[www.omegaeng.cz](http://www.omegaeng.cz)  
Karviná, Czech Republic  
596-311-899

#### BENELUX

[www.omega.nl](http://www.omega.nl)  
Amstelveen, NL  
0800-099-33-44



## More than 100,000 Products Available!

### • Temperature

Calibrators, Connectors, General Test and Measurement Instruments, Glass Bulb Thermometers, Handheld Instruments for Temperature Measurement, Ice Point References, Indicating Labels, Crayons, Cements and Lacquers, Infrared Temperature Measurement Instruments, Recorders Relative Humidity Measurement Instruments, RTD Probes, Elements and Assemblies, Temperature & Process Meters, Timers and Counters, Temperature and Process Controllers and Power Switching Devices, Thermistor Elements, Probes and Assemblies, Thermocouples Thermowells and Head and Well Assemblies, Transmitters, Wire

### • Flow and Level

Air Velocity Indicators, Doppler Flowmeters, Level Measurement, Magnetic Flowmeters, Mass Flowmeters, Pitot Tubes, Pumps, Rotameters, Turbine and Paddle Wheel Flowmeters, Ultrasonic Flowmeters, Valves, Variable Area Flowmeters, Vortex Shedding Flowmeters

### • pH and Conductivity

Conductivity Instrumentation, Dissolved Oxygen Instrumentation, Environmental Instrumentation, pH Electrodes and Instruments, Water and Soil Analysis Instrumentation

### • Data Acquisition

Auto-Dialers and Alarm Monitoring Systems, Communication Products and Converters, Data Acquisition and Analysis Software, Data Loggers Plug-in Cards, Signal Conditioners, USB, RS232, RS485 and Parallel Port Data Acquisition Systems, Wireless Transmitters and Receivers

### • Pressure, Strain and Force

Displacement Transducers, Dynamic Measurement Force Sensors, Instrumentation for Pressure and Strain Measurements, Load Cells, Pressure Gauges, Pressure Reference Section, Pressure Switches, Pressure Transducers, Proximity Transducers, Regulators, Strain Gages, Torque Transducers, Valves

### • Heaters

Band Heaters, Cartridge Heaters, Circulation Heaters, Comfort Heaters, Controllers, Meters and Switching Devices, Flexible Heaters, General Test and Measurement Instruments, Heater Hook-up Wire, Heating Cable Systems, Immersion Heaters, Process Air and Duct, Heaters, Radiant Heaters, Strip Heaters, Tubular Heaters