

RUGGED CLEAN WATER IMMERSION HEATER—2 NPT BRASS FITTING

ARMT-2 Series
Starts at

\$625



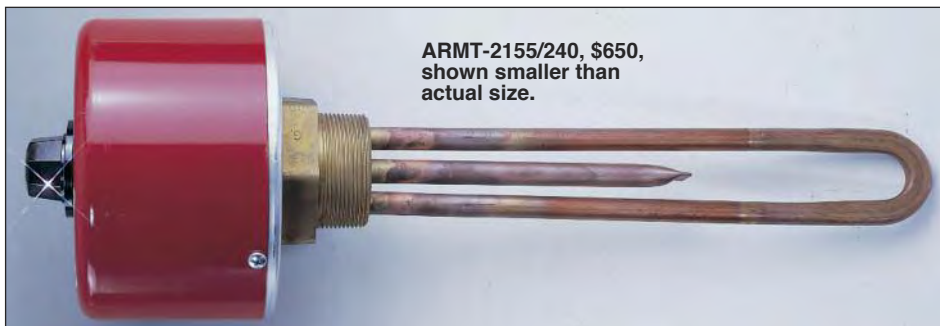
- ✓ Ideal For Clean Liquids within pH 6 to pH 8 Range
- ✓ Quality Construction with Copper Sheath
- ✓ Models Available with 120V, 208V, 240V, or 480V, 1 Phase Power
- ✓ Integral Thermostat

The OMEGALUX® ARMT-2 Series clean water immersion heater feature 2 NPT brass fitting screw plug for direct heating of the process fluid in your tank or vessel. Tested design characteristics assure years of dependable performance.

Note: The integral thermostat functions as a temperature control only. This is not a fail safe device. An approved pressure or temperature control should be used with these heaters to assure safe operation. See the Temperature Section for our full selection of control devices.

CAUTION AND WARNING!

Fire and electrical shock may result if products are used improperly or installed or used by non-qualified personnel. See inside back cover for additional warning.



ARMT-2155/240, \$650, shown smaller than actual size.

SPECIFICATIONS

Wattage: 1.5 to 15 kW

Power: 120, 208, 240, 490 Vac, 1 phase power

Sheath: 0.475" (1 cm) Diameter Copper

Screw Plug: 2 NPT brass

Thermostat:

Bulb and capillary type, 2 temperature ranges, 60 to 250°F, 0 to 100°F.

Watt Density: 46-53 W/in²

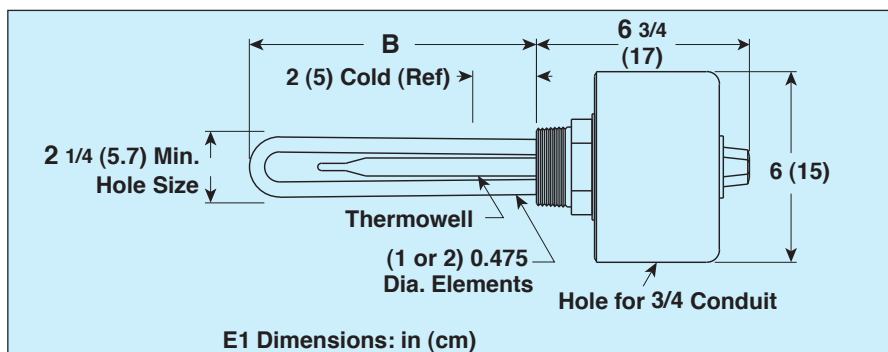
Enclosure: General Purpose NEMA-1 rated; or optional type E2 moisture tight/explosion resistant enclosure.

Meets Class I: Groups C & D, Div. 1 & 2

Class II: Groups E, F, & G,

Div. 1 & 2

Class III: Div. 1 & 2



E1 Dimensions: in (cm)

MOST POPULAR MODELS HIGHLIGHTED!

To Order (Specify Model Number)

kW	No. Phase	Dim. B W/in ²	Elem.	in (cm)	T-2 Temp Range (60 to 250°F)		Wt. lb (kg)	T-1 Temp Range (0 to 100°F)		Wt. lb (kg)
					Model No.	Price		Model No.	Price	
1.5	1	48	1	12 (30)	ARMT-2155/*	\$650	5 (2)	ARMT-2155T1/*	\$650	5 (2)
2	1	51	2	8 (20)	ARMT-2205-3/**	625	5 (2)	ARMT-2205-3T1/**	625	5 (2)
2.5	1	48	2	9½ (20)	ARMT-2255/***	675	6 (3)	ARMT-2255T1/***	675	6 (3)
3	1	48	2	12 (30)	ARMT-2305/**	700	6 (3)	ARMT-2305T1/**	700	6 (3)
4	1	48	2	18 (46)	ARMT-2405/***	750	7 (3)	ARMT-2405T1/***	750	7 (3)
5	1	53	2	19⅜ (39)	ARMT-2505/***	800	8 (4)	ARMT-2505T1/***	800	8 (4)
6	1	47	2	25⅝ (64)	ARMT-2605/***	875	8 (4)	ARMT-2605T1/***	875	8 (4)
7	1	49	2	28 (71)	ARMT-2705/***	900	9 (4)	ARMT-2705T1/***	900	9 (4)
10	1	46	2	40½ (103)	ARMT-2105/***	1100	9 (4)	ARMT-2105T1/***	1100	9 (4)
12	1	46	2	48 (122)	ARMT-2125/240	1200	10 (5)	ARMT-2125T1/240	1200	10 (5)
12	1	46	2	48 (122)	ARMT-2125/480	1200	10 (5)	ARMT-2125T1/240	1200	10 (5)
15	1	50	2	54 (137)	ARMT-21505/240	1350	11 (5)	ARMT-21505T1/240	1350	11 (5)

* Designate voltage: 120, 208, or 240 Vac. /** Designate voltage: 120, 208, 240, or 480 Vac. /*** Designate voltage: 208, 240, or 480 Vac. To order the unit with the optional E2 enclosure, insert "E2" into the model number as shown, ARMT-2255E2T1/240, and add \$250 to price. E2 enclosure not intended for use in hazardous areas.

Ordering Examples: ARMT-2255/480, 2.5 kW heater, powered by 480 Vac, \$675.

ARMT-21505T1/240, 15 kW heater, powered by 240 Vac, \$1350.



UNITED STATES

www.omega.com
1-800-TC-OMEGA
Stamford, CT.

CANADA

www.omega.ca
Laval(Quebec)
1-800-TC-OMEGA

GERMANY

www.omega.de
Deckenpfronn, Germany
0800-8266342

UNITED KINGDOM

www.omega.co.uk
Manchester, England
0800-488-488

FRANCE

www.omega.fr
Guyancourt, France
088-466-342

CZECH REPUBLIC

www.omegaeng.cz
Karviná, Czech Republic
596-311-899

BENELUX

www.omega.nl
Amstelveen, NL
0800-099-33-44



More than 100,000 Products Available!

• Temperature

Calibrators, Connectors, General Test and Measurement Instruments, Glass Bulb Thermometers, Handheld Instruments for Temperature Measurement, Ice Point References, Indicating Labels, Crayons, Cements and Lacquers, Infrared Temperature Measurement Instruments, Recorders Relative Humidity Measurement Instruments, RTD Probes, Elements and Assemblies, Temperature & Process Meters, Timers and Counters, Temperature and Process Controllers and Power Switching Devices, Thermistor Elements, Probes and Assemblies, Thermocouples Thermowells and Head and Well Assemblies, Transmitters, Wire

• Flow and Level

Air Velocity Indicators, Doppler Flowmeters, Level Measurement, Magnetic Flowmeters, Mass Flowmeters, Pitot Tubes, Pumps, Rotameters, Turbine and Paddle Wheel Flowmeters, Ultrasonic Flowmeters, Valves, Variable Area Flowmeters, Vortex Shedding Flowmeters

• pH and Conductivity

Conductivity Instrumentation, Dissolved Oxygen Instrumentation, Environmental Instrumentation, pH Electrodes and Instruments, Water and Soil Analysis Instrumentation

• Data Acquisition

Auto-Dialers and Alarm Monitoring Systems, Communication Products and Converters, Data Acquisition and Analysis Software, Data Loggers Plug-in Cards, Signal Conditioners, USB, RS232, RS485 and Parallel Port Data Acquisition Systems, Wireless Transmitters and Receivers

• Pressure, Strain and Force

Displacement Transducers, Dynamic Measurement Force Sensors, Instrumentation for Pressure and Strain Measurements, Load Cells, Pressure Gauges, Pressure Reference Section, Pressure Switches, Pressure Transducers, Proximity Transducers, Regulators, Strain Gages, Torque Transducers, Valves

• Heaters

Band Heaters, Cartridge Heaters, Circulation Heaters, Comfort Heaters, Controllers, Meters and Switching Devices, Flexible Heaters, General Test and Measurement Instruments, Heater Hook-up Wire, Heating Cable Systems, Immersion Heaters, Process Air and Duct, Heaters, Radiant Heaters, Strip Heaters, Tubular Heaters