

# HEAVY DUTY CLEAN WATER IMMERSION HEATER WITH 2.5 NPT FITTING

ARMT-3 Series  
Starts at

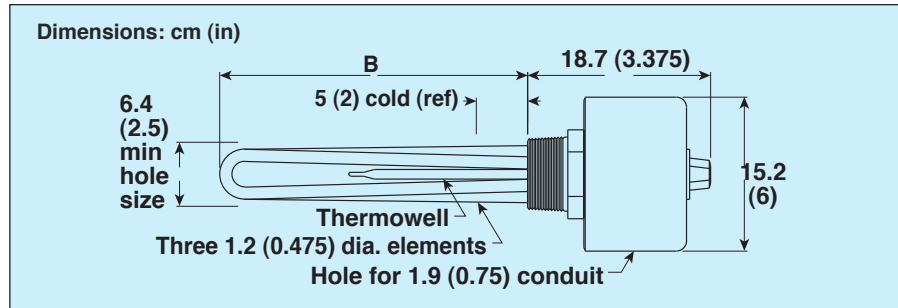
**\$825**



- ✓ Integral Thermostat
- ✓ General Purpose Enclosure NEMA 1 Rated
- ✓ 1 cm (0.475") Diameter Copper Sheath
- ✓ 3 to 18 kW
- ✓ Dependable 3 Element Heater Design
- ✓ 120, 208, 240 and 480 Vac Power; 1 and 3 Phase Models



ARMT-3305/240V/3P, \$825, shown smaller than actual size.



**Note:** This integral thermostat functions as a temperature control only. This is not a fail safe device. An approved pressure and/or temperature control should be used with these heaters to assure safe operation.

See Section P for our selection of control devices. Also Available with Type E2 moisture tight/explosion proof enclosure. Not intended for use in hazardous locations.

**MOST POPULAR MODELS HIGHLIGHTED!**

## To Order (Specify Model Number)

kW	Volts	W/in <sup>2</sup>	No. Htg. Elem.	T-2 Temp Range (60 to 250°F)			T-1 Temp Range (0 to 100°F)			
				Dim. B cm (in)	Model No.	Price	Wt. kg (lb)	Model No.	Price	Wt. kg (lb)
<b>ARMT-3 Series with General Purpose Enclosure</b>										
3	240	51	3	19 (7%)	ARMT-3305/240V/*	\$825	3 (6)	ARMT-3305T1/240V/*	\$825	3 (6)
3.75	240	52	3	21 (8¼)	ARMT-3375/240V/*	850	3 (6)	ARMT-3375T1/240V/*	850	3 (6)
4.5	120	48	3	29 (11%)	ARMT-3455/120V	900	3 (6)	ARMT-3455T1/120V	900	3 (6)
4.5	208	48	3	29 (11%)	ARMT-3455/208V/*	900	3 (7)	ARMT-3455T1/208V/*	900	3 (7)
4.5	240	48	3	29 (11%)	ARMT-3455/240V/*	900	3 (7)	ARMT-3455T1/240V/*	900	3 (7)
4.5	480	48	3	29 (11%)	ARMT-3455/480V/*	900	3 (7)	ARMT-3455T1/480V/*	900	3 (7)
6	120	48	3	44 (17%)	ARMT-3605/120V	975	4 (8)	ARMT-3605T1/120V	975	4 (8)
6	208	48	3	44 (17%)	ARMT-3605/208V/*	975	4 (8)	ARMT-3605T1/208V/*	975	4 (8)
6	240	48	3	44 (17%)	ARMT-3605/240V/*	975	4 (8)	ARMT-3605T1/240V/*	975	4 (8)
6	480	48	3	44 (17%)	ARMT-3605/480V/*	975	4 (8)	ARMT-3605T1/480V/*	975	4 (8)
7.5	208	53	3	49 (19¼)	ARMT-3755/208V/*	1020	4 (8)	ARMT-3755T1/208V/*	1000	4 (8)
7.5	240	53	3	49 (19¼)	ARMT-3755/240V/*	1020	4 (8)	ARMT-3755T1/240V/*	1000	4 (8)
7.5	480	53	3	49 (19¼)	ARMT-3755/480V/*	1020	4 (8)	ARMT-3755T1/480V/*	1000	4 (8)
9	208	47	3	62 (24½)	ARMT-3905/208V/*	1100	4 (9)	ARMT-3905T1/208V/*	1100	4 (9)
9	240	47	3	62 (24½)	ARMT-3905/240V/*	1100	4 (9)	ARMT-3905T1/240V/*	1100	4 (9)
9	480	47	3	62 (24½)	ARMT-3905/480V/*	1100	4 (9)	ARMT-3905T1/480V/*	1100	4 (9)
12	240	46	3	82 (32⅝)	1ARMT-31205/240V/*	1250	6 (13)	1ARMT-31205T1/240V/*	1250	6 (13)
12	480	46	3	82 (32⅝)	ARMT-31205/480V/*	1250	6 (13)	ARMT-31205T1/480V/*	1400	6 (13)
15	208	46	3	101 (39%)	1ARMT-31505/208V/*	1400	6 (14)	1ARMT-31505T1/208V/*	1400	6 (14)
15	240	46	3	101 (39%)	1ARMT-31505/240V/*	1400	6 (14)	1ARMT-31505T1/240V/*	1400	6 (14)

/\* Insert the suffix "3P" to the model number for 3 phase power. Other voltages available contact OMEGALUX.<sup>®</sup>  
See next page for caution and warning note.

1 Not UL Listed or CSA Certified for 1 Phase (exceeds 48 amps)

Ordering Examples: ARMT-3305/240V/3P, 3 kW heater powered by 3 phase 240 Vac, \$825.

ARMT-3755/240V, 7.5 kW heater, \$1020.



#### UNITED STATES

[www.omega.com](http://www.omega.com)  
1-800-TC-OMEGA  
Stamford, CT.

#### CANADA

[www.omega.ca](http://www.omega.ca)  
Laval(Quebec)  
1-800-TC-OMEGA

#### GERMANY

[www.omega.de](http://www.omega.de)  
Deckenpfronn, Germany  
0800-8266342

#### UNITED KINGDOM

[www.omega.co.uk](http://www.omega.co.uk)  
Manchester, England  
0800-488-488

#### FRANCE

[www.omega.fr](http://www.omega.fr)  
Guyancourt, France  
088-466-342

#### CZECH REPUBLIC

[www.omegaeng.cz](http://www.omegaeng.cz)  
Karviná, Czech Republic  
596-311-899

#### BENELUX

[www.omega.nl](http://www.omega.nl)  
Amstelveen, NL  
0800-099-33-44



## More than 100,000 Products Available!

### • Temperature

Calibrators, Connectors, General Test and Measurement Instruments, Glass Bulb Thermometers, Handheld Instruments for Temperature Measurement, Ice Point References, Indicating Labels, Crayons, Cements and Lacquers, Infrared Temperature Measurement Instruments, Recorders Relative Humidity Measurement Instruments, RTD Probes, Elements and Assemblies, Temperature & Process Meters, Timers and Counters, Temperature and Process Controllers and Power Switching Devices, Thermistor Elements, Probes and Assemblies, Thermocouples Thermowells and Head and Well Assemblies, Transmitters, Wire

### • Flow and Level

Air Velocity Indicators, Doppler Flowmeters, Level Measurement, Magnetic Flowmeters, Mass Flowmeters, Pitot Tubes, Pumps, Rotameters, Turbine and Paddle Wheel Flowmeters, Ultrasonic Flowmeters, Valves, Variable Area Flowmeters, Vortex Shedding Flowmeters

### • pH and Conductivity

Conductivity Instrumentation, Dissolved Oxygen Instrumentation, Environmental Instrumentation, pH Electrodes and Instruments, Water and Soil Analysis Instrumentation

### • Data Acquisition

Auto-Dialers and Alarm Monitoring Systems, Communication Products and Converters, Data Acquisition and Analysis Software, Data Loggers Plug-in Cards, Signal Conditioners, USB, RS232, RS485 and Parallel Port Data Acquisition Systems, Wireless Transmitters and Receivers

### • Pressure, Strain and Force

Displacement Transducers, Dynamic Measurement Force Sensors, Instrumentation for Pressure and Strain Measurements, Load Cells, Pressure Gauges, Pressure Reference Section, Pressure Switches, Pressure Transducers, Proximity Transducers, Regulators, Strain Gages, Torque Transducers, Valves

### • Heaters

Band Heaters, Cartridge Heaters, Circulation Heaters, Comfort Heaters, Controllers, Meters and Switching Devices, Flexible Heaters, General Test and Measurement Instruments, Heater Hook-up Wire, Heating Cable Systems, Immersion Heaters, Process Air and Duct, Heaters, Radiant Heaters, Strip Heaters, Tubular Heaters