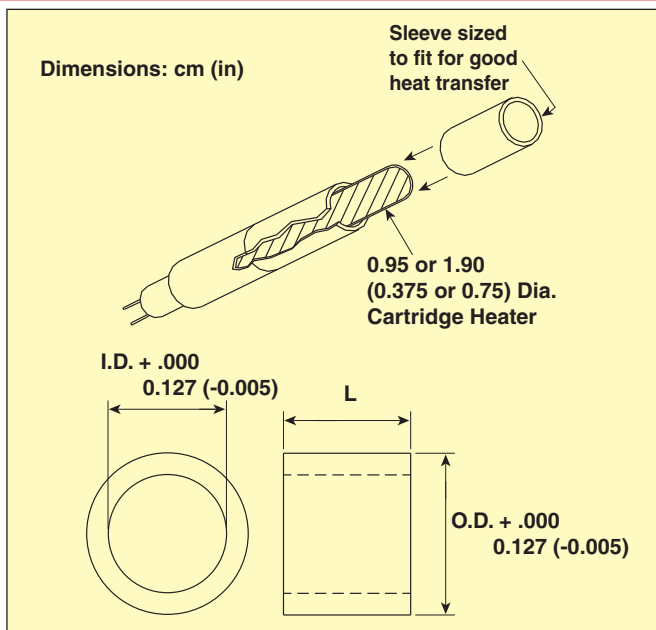


# CARTRIDGE HEATER SLEEVE ADAPTORS

## For 3/8" and 3/4" Cartridge Heaters

### FEATURES

- ✓ 1 cm (3/8") diameter cartridge heaters can be sleeved to fit 1.3 cm (1/2") and 1.6 cm (5/8") diameter holes, allowing one diameter to fit most applications.
- ✓ 1.9 cm (3/4") I.D. sleeves permit installation of OMEGALUX® CIR hi-watt density heaters in 3.2 cm (1 1/4") diameter holes to replace old-style large diameter heaters.
- ✓ Makes removal of heaters easier—no more drilling, hammering, etc.
- ✓ Made of steel, these pressed powder metal sleeves have been designed and fully tested to assure proper transfer of heat from the cartridge heater to the work.
- ✓ 427°C (800°F) maximum work temperature. For higher work temperatures, contact OMEGALUX.



### To Order (Specify Model Number)

Model No.	Price	I.D. cm (in)	O.D.	Length. cm (in)
CHSA-1	\$3	0.95 (3/8)	0.4981	2.54 (1)
CHSA-2	3	0.95 (3/8)	0.6221	2.54 (1)
CHSA-3	4	1.90 (3/4)	1 1/4	2.54 (1)

Ordering Example: CHSA-1, sleeve adaptor, \$3.

## Heat Transfer and Release Coating

OMEGALUX HTRC is used for improving heat transfer and release in the following applications:

- ✓ Cartridge Units in Drilled Holes
- ✓ Tubular Units in Drilled Holes, Grooves or Clamp-On Surfaces
- ✓ Strip and Ring Heaters in Grooves or Clamped on to Rough Surfaces

Laboratory tests have demonstrated that in high temperature applications, improved heat transfer can lower the internal wire temperature to provide up to 100% improvement in heater life. OMEGALUX HTRC is recommended for use in the above applications where sheath temperature of the heater is expected to exceed 398°C (750°F). HTRC has an excellent transfer coefficient approaching that of aluminum.

**Maximum Use Temperature:** 982°C (1800°F).

**Shelf Life:** Greater than one year.

### To Order (Specify Model Number)

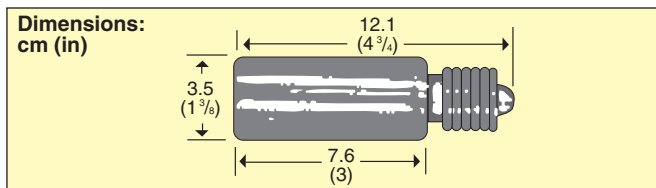
Model No.	Price	Description
HTRC	\$31	Heat transfer and release coating, 4 fl oz

Ordering Example: HTRC, heat transfer and release coating, \$31.

## Unique Space Heater SCB Series

- ✓ Fits in Standard Lamp Socket
- ✓ 120 or 240 Volts
- ✓ Available from 50 to 200 Watts
- ✓ Brass Sheath

Edison screw base installs in standard lamp socket for simple installation—to prevent moisture accumulation, mildew, freezing—in clothes lockers, fire extinguisher, cabinets, and control boxes. Also used in resistor banks.



### To Order (Specify Model Number)

Model No.	Price	Watts	Wt. Kg (oz.)
SCB-50/120	\$64	50	4 (9)
SCB-75/*	64	75	4 (9)
SCB-100/*	64	100	4 (9)
SCB-150/*	64	150	4 (9)
SCB-200/*	64	200	4 (9)

\*Specify voltage insert "120" for 120 Vac or "240" for 240 Vac. Those model numbers containing /120 are available only in that voltage.

Ordering Examples: SCB-75/120 space heater, 120V, \$64.

SCB-200/240, space heater, 240V, \$64.



#### UNITED STATES

[www.omega.com](http://www.omega.com)  
1-800-TC-OMEGA  
Stamford, CT.

#### CANADA

[www.omega.ca](http://www.omega.ca)  
Laval(Quebec)  
1-800-TC-OMEGA

#### GERMANY

[www.omega.de](http://www.omega.de)  
Deckenpfronn, Germany  
0800-8266342

#### UNITED KINGDOM

[www.omega.co.uk](http://www.omega.co.uk)  
Manchester, England  
0800-488-488

#### FRANCE

[www.omega.fr](http://www.omega.fr)  
Guyancourt, France  
088-466-342

#### CZECH REPUBLIC

[www.omegaeng.cz](http://www.omegaeng.cz)  
Karviná, Czech Republic  
596-311-899

#### BENELUX

[www.omega.nl](http://www.omega.nl)  
Amstelveen, NL  
0800-099-33-44



## More than 100,000 Products Available!

### • Temperature

Calibrators, Connectors, General Test and Measurement Instruments, Glass Bulb Thermometers, Handheld Instruments for Temperature Measurement, Ice Point References, Indicating Labels, Crayons, Cements and Lacquers, Infrared Temperature Measurement Instruments, Recorders Relative Humidity Measurement Instruments, RTD Probes, Elements and Assemblies, Temperature & Process Meters, Timers and Counters, Temperature and Process Controllers and Power Switching Devices, Thermistor Elements, Probes and Assemblies, Thermocouples Thermowells and Head and Well Assemblies, Transmitters, Wire

### • Flow and Level

Air Velocity Indicators, Doppler Flowmeters, Level Measurement, Magnetic Flowmeters, Mass Flowmeters, Pitot Tubes, Pumps, Rotameters, Turbine and Paddle Wheel Flowmeters, Ultrasonic Flowmeters, Valves, Variable Area Flowmeters, Vortex Shedding Flowmeters

### • pH and Conductivity

Conductivity Instrumentation, Dissolved Oxygen Instrumentation, Environmental Instrumentation, pH Electrodes and Instruments, Water and Soil Analysis Instrumentation

### • Data Acquisition

Auto-Dialers and Alarm Monitoring Systems, Communication Products and Converters, Data Acquisition and Analysis Software, Data Loggers Plug-in Cards, Signal Conditioners, USB, RS232, RS485 and Parallel Port Data Acquisition Systems, Wireless Transmitters and Receivers

### • Pressure, Strain and Force

Displacement Transducers, Dynamic Measurement Force Sensors, Instrumentation for Pressure and Strain Measurements, Load Cells, Pressure Gauges, Pressure Reference Section, Pressure Switches, Pressure Transducers, Proximity Transducers, Regulators, Strain Gages, Torque Transducers, Valves

### • Heaters

Band Heaters, Cartridge Heaters, Circulation Heaters, Comfort Heaters, Controllers, Meters and Switching Devices, Flexible Heaters, General Test and Measurement Instruments, Heater Hook-up Wire, Heating Cable Systems, Immersion Heaters, Process Air and Duct, Heaters, Radiant Heaters, Strip Heaters, Tubular Heaters