

COMPACT STEAM BOILER

CMB Style

- Steam Pressures to 90 psig
- Steam Capacity (9 - 45 Lbs/Hr @ 0 - 90 psig)
- 3 - 15 kW (10 - 51 Mbh)
- 120, 208, 240 and 480 Volt, 1 & 3 Phase
- ASME Section I Pressure Vessel Carbon Steel Code "M" (100 psig)
- 0.430" Dia. Copper Sheath Heating Elements with Run Dry Protection
- Automatic Mechanical Float Valve Water Feeder with Inlet Check Valve³
- Electronic Low Water Cutoff (Single Probe)
- Water Level Sight Glass and Blow Down Drain Valve
- Pressure Gauge (0 - 160 psig)
- ASME Safety Relief Valve



FEATURES

Pressure/Temperature Control easily adjusts operating pressure. Pilot light indicates when boiler is on and element is heating.

Steam Pressure Gauge provides visual indication of steam pressure.

Mechanical Float Valve Water Feeder can be connected directly to water main, eliminating complicated feed water piping³.

Water Level Sight Glass allows constant visual observation of water level in the generator.

Safe, Reliable Operation is assured by a separate low water cutoff that shuts down the generator if it accidentally runs low on water.

APPLICATIONS

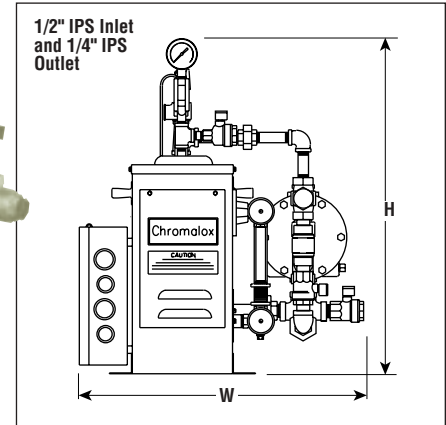
CMB Low Pressure Steam Generator — Delivers 9 to 45 lbs. of steam per hour at 0 - 90 psig, and is used in many manufacturing processes. The CMB's small size and small capacity make it an ideal "point of use" steam source in industrial plants, computer rooms, laboratories, hospitals, jewelry stores, steam rooms and other spot heating applications. The CMB is also ideal for stand-by operations which require small amounts of steam or humidification during off season periods when the main plant boiler may be shut down.

All CMB steam generators are inspected to rigid quality standards. They are factory tested under operating conditions and are ready to operate.

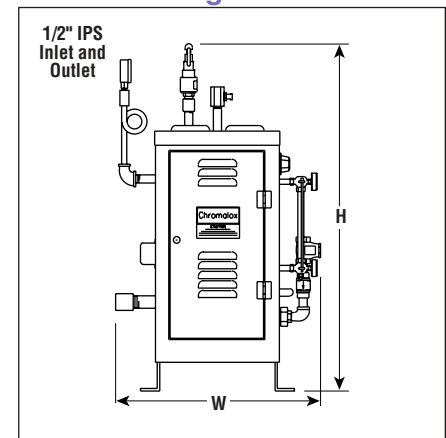


DIMENSIONS (INCHES)

CMB-3



CMB-6 through -15



To Order (Specify Model Number)

Steam ¹ Lbs/Hr	Bhp	kW	Volts ²	Ph	Dimensions (In.)			Model No.	Price	Wt. (Lb.)
					W	L	H			
9	0.3	3	120	1	17	15	23	CMB-3/120/1P	\$1680	68
9	0.3	3	208	1	17	15	23	CMB-3/208/1P	1920	68
9	0.3	3	240	1	17	15	23	CMB-3/240/1P	1920	68
9	0.3	3	208	3	17	15	23	CMB-3/208/3P	1920	68
9	0.3	3	240	3	17	15	23	CMB-3/240/3P	1920	68
9	0.3	3	480	3	17	15	23	CMB-3/480/3P	1920	68
18	0.61	6	208	1	20	30	37	CMB-6/208/1P	2385	165
18	0.61	6	240	1	20	30	37	CMB-6/240/1P	2385	165
18	0.61	6	480	1	20	30	37	CMB-6/480/1P	2385	165
18	0.61	6	208	3	20	30	37	CMB-6/208/3P	2385	165
18	0.61	6	240	3	20	30	37	CMB-6/240/3P	2385	165
18	0.61	6	480	3	20	30	37	CMB-6/480/3P	2385	165
27	0.91	9	208	3	20	30	37	CMB-9/208/3P	2500	165
27	0.91	9	240	3	20	30	37	CMB-9/240/3P	2500	165
27	0.91	9	480	3	20	30	37	CMB-9/480/3P	2500	165
36	1.22	12	208	3	20	30	37	CMB-12/208/3P	2690	165
36	1.22	12	240	3	20	30	37	CMB-12/240/3P	2690	165
36	1.22	12	480	3	20	30	37	CMB-12/480/3P	2615	165
45	1.52	15	208	3	20	30	37	CMB-15/208/3P	2875	165
45	1.52	15	240	3	20	30	37	CMB-15/240/3P	2875	165
45	1.52	15	480	3	20	30	37	CMB-15/480/3P	2800	165

Ordering Example: CMB-6/240/1P is a 240 Volt, 1 Phase Heater, \$2385.

1.) At 212°F with 50°F feed water. 2.) Other voltages are available. 3.) For proper operation, the automatic water feed control unit requires a water supply pressure of 10 psig greater than the operating pressure of the steam generator.



UNITED STATES

www.omega.com
1-800-TC-OMEGA
Stamford, CT.

CANADA

www.omega.ca
Laval(Quebec)
1-800-TC-OMEGA

GERMANY

www.omega.de
Deckenpfronn, Germany
0800-8266342

UNITED KINGDOM

www.omega.co.uk
Manchester, England
0800-488-488

FRANCE

www.omega.fr
Guyancourt, France
088-466-342

CZECH REPUBLIC

www.omegaeng.cz
Karviná, Czech Republic
596-311-899

BENELUX

www.omega.nl
Amstelveen, NL
0800-099-33-44



More than 100,000 Products Available!

• Temperature

Calibrators, Connectors, General Test and Measurement Instruments, Glass Bulb Thermometers, Handheld Instruments for Temperature Measurement, Ice Point References, Indicating Labels, Crayons, Cements and Lacquers, Infrared Temperature Measurement Instruments, Recorders Relative Humidity Measurement Instruments, RTD Probes, Elements and Assemblies, Temperature & Process Meters, Timers and Counters, Temperature and Process Controllers and Power Switching Devices, Thermistor Elements, Probes and Assemblies, Thermocouples Thermowells and Head and Well Assemblies, Transmitters, Wire

• Flow and Level

Air Velocity Indicators, Doppler Flowmeters, Level Measurement, Magnetic Flowmeters, Mass Flowmeters, Pitot Tubes, Pumps, Rotameters, Turbine and Paddle Wheel Flowmeters, Ultrasonic Flowmeters, Valves, Variable Area Flowmeters, Vortex Shedding Flowmeters

• pH and Conductivity

Conductivity Instrumentation, Dissolved Oxygen Instrumentation, Environmental Instrumentation, pH Electrodes and Instruments, Water and Soil Analysis Instrumentation

• Data Acquisition

Auto-Dialers and Alarm Monitoring Systems, Communication Products and Converters, Data Acquisition and Analysis Software, Data Loggers Plug-in Cards, Signal Conditioners, USB, RS232, RS485 and Parallel Port Data Acquisition Systems, Wireless Transmitters and Receivers

• Pressure, Strain and Force

Displacement Transducers, Dynamic Measurement Force Sensors, Instrumentation for Pressure and Strain Measurements, Load Cells, Pressure Gauges, Pressure Reference Section, Pressure Switches, Pressure Transducers, Proximity Transducers, Regulators, Strain Gages, Torque Transducers, Valves

• Heaters

Band Heaters, Cartridge Heaters, Circulation Heaters, Comfort Heaters, Controllers, Meters and Switching Devices, Flexible Heaters, General Test and Measurement Instruments, Heater Hook-up Wire, Heating Cable Systems, Immersion Heaters, Process Air and Duct, Heaters, Radiant Heaters, Strip Heaters, Tubular Heaters