

## HIGH-TEMPERATURE, LOW-MASS, VACUUM-FORMED CERAMIC RADIANT HEATERS

### Full Cylinder Heaters

CRFC Series Starts at

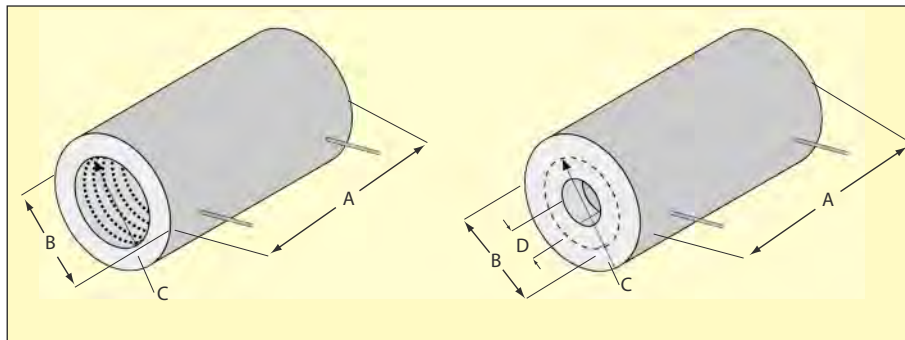
**\$159**



- ✓ Rated to 982°C (1800°F)
- ✓ Fast Heat-Up and Cool Down
- ✓ Greater Temperature Uniformity
- ✓ Lower Operating Costs
- ✓ Heating Element and Insulation in One

#### APPLICATIONS

- ✓ Tube Furnaces
- ✓ Annealing Ovens
- ✓ Pipe Heating



OMEGALUX® CRFC and CRWS Series radiant heaters are produced using high-quality and high-purity, vacuum-formed ceramic fiber, with low-sodium inorganic bond. Helically wound iron-chrome-aluminum wire elements assure top quality in this extra-efficient, low watt density series. The helically wound wire is embedded into the vacuum-formed ceramic fiber.

#### SPECIFICATIONS

**Full and Semi Cylinders Models:**  
**Wattage:** 220 to 9500 Watts  
**Voltage:** 60, 120 and 240 Vac  
**Leads:** 10 Standard

*Note: CR Series Heaters are intended for "radiant" heat. Never let material to be heated come into contact with the face of the heater. It is recommended that the OD of tubes, pipes, or circular items to be used with the circular heaters be kept a minimum of 1/2" under the nominal inside "C" dimension.*

#### MOST POPULAR MODELS HIGHLIGHTED!

To Order (Specify Model Number)									
		Dimensions in cm (" )				Without Vestibules		With Vestibules	
Watts	Volts	A DIM*	B DIM	C DIM	D DIM	Model No.	Price	Model No.	Price
220	60	15 (6)	8 (3)	2 (0.75)	0.6 (0.25)	CRFC-756/60-A	\$159	CRFC-756/60-C-A	\$171
440	120	30 (12)	8 (3)	2 (0.75)	0.6 (0.25)	CRFC-7512/120-A	250	CRFC-7512/120-C-A	275
250	60	15 (6)	8 (3)	3 (1)	1 (0.5)	CRFC-16/60-A	162	CRFC-16/60-C-A	179
500	120	30 (12)	8 (3)	3 (1)	1 (0.5)	CRFC-112/120-A	269	CRFC-112/120-C-A	293
300	60	15 (6)	8 (3)	3 (1.25)	2 (0.75)	CRFC-1256/60-A	168	CRFC-1256/60-C-A	187
600	120	30 (12)	8 (3)	3 (1.25)	2 (0.75)	CRFC-12512/120-A	280	CRFC-12512/120-C-A	310
350	60	15 (6)	9 (3.5)	4 (1.5)	3 (1)	CRFC-156/60-A	175	CRFC-156/60-C-A	195
650	120	30 (12)	9 (3.5)	4 (1.5)	3 (1)	CRFC-1512/120-A	290	CRFC-1512/120-C-A	315
435	120	15 (6)	10 (4)	5 (2)	4 (1.5)	CRFC-26/120-A	195	CRFC-26/120-C-A	215
870	120	30 (12)	10 (4)	5 (2)	4 (1.5)	CRFC-212/120-A	310	CRFC-212/120-C-A	335
700	115	15 (6)	13 (5)	8 (3)	5 (2)	CRFC-36/115-A	215	CRFC-36/115-C-A	235
1400	240	30 (12)	13 (5)	8 (3)	5 (2)	CRFC-312/240-A	330	CRFC-312/240-C-A	365
2100	240	46 (18)	13 (5)	8 (3)	5 (2)	CRFC-318/240-A	500	CRFC-318/240-C-A	535
900	240	15 (6)	18 (7)	10 (4)	6 (2.5)	CRFC-46/240-A	240	CRFC-46/240-C-A	270
1800	240	30 (12)	18 (7)	10 (4)	6 (2.5)	CRFC-412/240-A	370	CRFC-412/240-C-A	405
2700	240	46 (18)	18 (7)	10 (4)	6 (2.5)	CRFC-418/240-A	620	CRFC-418/240-C-A	675
1130	240	15 (6)	23 (9)	13 (5)	9 (3.5)	CRFC-56/240-A	285	CRFC-56/240-C-A	315
2260	240	30 (12)	23 (9)	13 (5)	9 (3.5)	CRFC-512/240-A	440	CRFC-512/240-C-A	480
3390	240**	46 (18)	23 (9)	13 (5)	9 (3.5)	CRFC-518/240-A	745	CRFC-518/240-C-A	820
4520	240**	61 (24)	23 (9)	13 (5)	9 (3.5)	CRFC-524/240-A	990	CRFC-524/240-C-A	1085
1350	240	15 (6)	25 (10)	15 (6)	11 (4.5)	CRFC-66/240-A	375	CRFC-66/240-C-A	405
2700	240**	30 (12)	25 (10)	15 (6)	11 (4.5)	CRFC-612/240-A	605	CRFC-612/240-C-A	660
4000	240**	46 (18)	25 (10)	15 (6)	11 (4.5)	CRFC-618/240-A	940	CRFC-618/240-C-A	1040

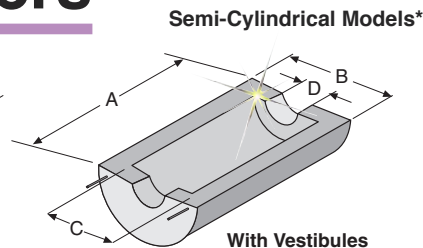
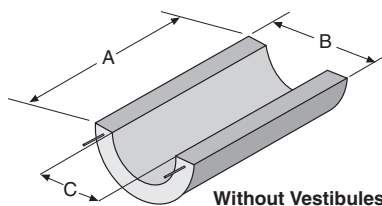
\* Add 3" for units with vestibules. \*\* Dual 240 Vac circuits.

Ordering Example: CRFC-156/60-A, 350 watt heater with 4 cm (1.5") ID, 15 cm (6") long without vestibules, \$175.

## Semi-Cylindrical Ceramic Heaters

CRWS Series  
Starts at  
**\$175**

- ✓ Rated to 982°C (1800°F)
- ✓ Helically Wound Iron-Chrome-Aluminum Wire



**MOST POPULAR MODELS HIGHLIGHTED!**

To Order (Specify Model Number)									
		Dimensions in cm (")				Without Vestibules		With Vestibules	
Watts	Volts	A DIM*	B DIM	C DIM	D DIM	Model No.	Price	Model No.	Price
300	60	15 (6)	10 (4)	5 (2)	4 (1.5)	CRWS-62/60-A	\$175	CRWS-62/60-C-A	\$200
600	120	30 (12)	10 (4)	5 (2)	4 (1.5)	CRWS-122/120-A	200	CRWS-122/120-C-A	220
900	120	46 (18)	10 (4)	5 (2)	4 (1.5)	CRWS-182/120-A	250	CRWS-182/120-C-A	275
1200	240	61 (24)	10 (4)	5 (2)	4 (1.5)	CRWS-242/240-A	275	CRWS-242/240-C-A	300
425	120	15 (6)	13 (5)	8 (3)	5 (2)	CRWS-63/120-A	200	CRWS-63/120-C-A	220
850	120	30 (12)	13 (5)	8 (3)	5 (2)	CRWS-123/120-A	275	CRWS-123/120-C-A	305
1275	240	46 (18)	13 (5)	8 (3)	5 (2)	CRWS-183/240-A	375	CRWS-183/240-C-A	415
1700	240	61 (24)	13 (5)	8 (3)	5 (2)	CRWS-243/240-A	425	CRWS-243/240-C-A	475
565	120	15 (6)	15 (6)	10 (4)	6 (2.5)	CRWS-64/120-A	230	CRWS-64/120-C-A	255
1130	120	30 (12)	15 (6)	10 (4)	6 (2.5)	CRWS-124/120-A	315	CRWS-124/120-C-A	345
1700	240	46 (18)	15 (6)	10 (4)	6 (2.5)	CRWS-184/240-A	410	CRWS-184/240-C-A	445
2250	240	61 (24)	15 (6)	10 (4)	6 (2.5)	CRWS-244/240-A	515	CRWS-244/240-C-A	575
650	120	15 (6)	23 (9)	13 (5)	9 (3.5)	CRWS-65/120-A	230	CRWS-65/120-C-A	270
1300	240	30 (12)	23 (9)	13 (5)	9 (3.5)	CRWS-125/120-A	365	CRWS-125/120-C-A	400
1950	240	46 (18)	23 (9)	13 (5)	9 (3.5)	CRWS-185/240-A	425	CRWS-185/240-C-A	475
2600	240	61 (24)	23 (9)	13 (5)	9 (3.5)	CRWS-245/240-A	625	CRWS-245/240-C-A	685
850	120	15 (6)	25 (10)	15 (6)	10 (4)	CRWS-66/120-A	250	CRWS-66/120-C-A	275
1700	240	30 (12)	25 (10)	15 (6)	10 (4)	CRWS-126/240-A	375	CRWS-126/240-C-A	410
2550	240	46 (18)	25 (10)	15 (6)	10 (4)	CRWS-186/240-A	515	CRWS-186/240-C-A	565
3400	240**	61 (24)	25 (10)	15 (6)	10 (4)	CRWS-246/240-A	715	CRWS-246/240-C-A	795
920	240	15 (6)	28 (11)	18 (7)	13 (5)	CRWS-67/240-A	269	CRWS-67/240-C-A	295
1840	240	30 (12)	28 (11)	18 (7)	13 (5)	CRWS-127/240-A	390	CRWS-127/240-C-A	425
2760	240	46 (18)	28 (11)	18 (7)	13 (5)	CRWS-187/240-A	575	CRWS-187/240-C-A	660
3680	240**	61 (24)	28 (11)	18 (7)	13 (5)	CRWS-247/240-A	805	CRWS-247/240-C-A	895
1100	240	15 (6)	30 (12)	20 (8)	15 (6)	CRWS-68/240-A	275	CRWS-68/240-C-A	305
2200	240	30 (12)	30 (12)	20 (8)	15 (6)	CRWS-128/240-A	400	CRWS-128/240-C-A	440
3300	240	46 (18)	30 (12)	20 (8)	15 (6)	CRWS-188/240-A	625	CRWS-188/240-C-A	685
4400	240**	61*** (24)	30 (12)	20 (8)	15 (6)	CRWS-248/240-A	865	CRWS-248/240-C-A	955
2250	240	30 (12)	36 (14)	25 (10)	20 (8)	CRWS-1210/240-A	520	CRWS-1210/240-C-A	575
3400	240**	46 (18)	36 (14)	25 (10)	20 (8)	CRWS-1810/240-A	755	CRWS-1810/240-C-A	825
4500	240**	61*** (24)	36 (14)	25 (10)	20 (8)	CRWS-2410/240-A	1065	CRWS-2410/240-C-A	1165
2700	240	30 (12)	41 (16)	30 (12)	25 (10)	CRWS-1212/240-A	705	CRWS-1212/240-C-A	905
4050	240**	46 (18)	41 (16)	30 (12)	25 (10)	CRWS-1812/240-A	895	CRWS-1812/240-C-A	995
5400	240**	61*** (24)	41 (16)	30 (12)	25 (10)	CRWS-2412/240-A	1105	CRWS-2412/240-C-A	1230
3400	240**	30 (12)	48 (19)	38 (15)	33 (13)	CRWS-1215/240-A	815	CRWS-1215/240-C-A	895
5100	240**	46 (18)	48 (19)	38 (15)	33 (13)	CRWS-1815/240-A	1095	CRWS-1815/240-C-A	1205
6800	240**	61*** (24)	48 (19)	38 (15)	33 (13)	CRWS-2415/240-A	1500	CRWS-2415/240-C-A	1585
4100	240**	30 (12)	56 (22)	46 (18)	41 (16)	CRWS-1218/240-A	945	CRWS-1218/240-C-A	995
6150	240**	46 (18)	56 (22)	46 (18)	41 (16)	CRWS-1818/240-A	1245	CRWS-1818/240-C-A	1255
8200	240**	61*** (24)	56 (22)	46 (18)	41 (16)	CRWS-2418/240-A	1755	CRWS-2418/240-C-A	1850
4750	240**	30 (12)	64 (25)	53 (21)	48 (19)	CRWS-1221/240-A	1105	CRWS-1221/240-C-A	1205
7125	240**	46 (18)	64 (25)	53 (21)	48 (19)	CRWS-1821/240-A	1500	CRWS-1821/240-C-A	1950
9500	240**	61*** (24)	64 (25)	53 (21)	48 (19)	CRWS-2421/240-A	1950	CRWS-2421/240-C-A	2150

\* Add 3" for units with vestibules. \*\* Dual 240 Vac circuits.

\*\*\* Using two 30 cm (12") long heaters; the indicated wattage is a total of two 30 cm (12") long heaters.

Ordering Example: CRWS-67/240-A, 920 Watt, 240 Vac heater, 15 cm (6") long, 18 cm (7") ID, \$269.



#### UNITED STATES

[www.omega.com](http://www.omega.com)  
1-800-TC-OMEGA  
Stamford, CT.

#### CANADA

[www.omega.ca](http://www.omega.ca)  
Laval(Quebec)  
1-800-TC-OMEGA

#### GERMANY

[www.omega.de](http://www.omega.de)  
Deckenpfronn, Germany  
0800-8266342

#### UNITED KINGDOM

[www.omega.co.uk](http://www.omega.co.uk)  
Manchester, England  
0800-488-488

#### FRANCE

[www.omega.fr](http://www.omega.fr)  
Guyancourt, France  
088-466-342

#### CZECH REPUBLIC

[www.omegaeng.cz](http://www.omegaeng.cz)  
Karviná, Czech Republic  
596-311-899

#### BENELUX

[www.omega.nl](http://www.omega.nl)  
Amstelveen, NL  
0800-099-33-44



## More than 100,000 Products Available!

### • Temperature

Calibrators, Connectors, General Test and Measurement Instruments, Glass Bulb Thermometers, Handheld Instruments for Temperature Measurement, Ice Point References, Indicating Labels, Crayons, Cements and Lacquers, Infrared Temperature Measurement Instruments, Recorders Relative Humidity Measurement Instruments, RTD Probes, Elements and Assemblies, Temperature & Process Meters, Timers and Counters, Temperature and Process Controllers and Power Switching Devices, Thermistor Elements, Probes and Assemblies, Thermocouples Thermowells and Head and Well Assemblies, Transmitters, Wire

### • Flow and Level

Air Velocity Indicators, Doppler Flowmeters, Level Measurement, Magnetic Flowmeters, Mass Flowmeters, Pitot Tubes, Pumps, Rotameters, Turbine and Paddle Wheel Flowmeters, Ultrasonic Flowmeters, Valves, Variable Area Flowmeters, Vortex Shedding Flowmeters

### • pH and Conductivity

Conductivity Instrumentation, Dissolved Oxygen Instrumentation, Environmental Instrumentation, pH Electrodes and Instruments, Water and Soil Analysis Instrumentation

### • Data Acquisition

Auto-Dialers and Alarm Monitoring Systems, Communication Products and Converters, Data Acquisition and Analysis Software, Data Loggers Plug-in Cards, Signal Conditioners, USB, RS232, RS485 and Parallel Port Data Acquisition Systems, Wireless Transmitters and Receivers

### • Pressure, Strain and Force

Displacement Transducers, Dynamic Measurement Force Sensors, Instrumentation for Pressure and Strain Measurements, Load Cells, Pressure Gauges, Pressure Reference Section, Pressure Switches, Pressure Transducers, Proximity Transducers, Regulators, Strain Gages, Torque Transducers, Valves

### • Heaters

Band Heaters, Cartridge Heaters, Circulation Heaters, Comfort Heaters, Controllers, Meters and Switching Devices, Flexible Heaters, General Test and Measurement Instruments, Heater Hook-up Wire, Heating Cable Systems, Immersion Heaters, Process Air and Duct, Heaters, Radiant Heaters, Strip Heaters, Tubular Heaters