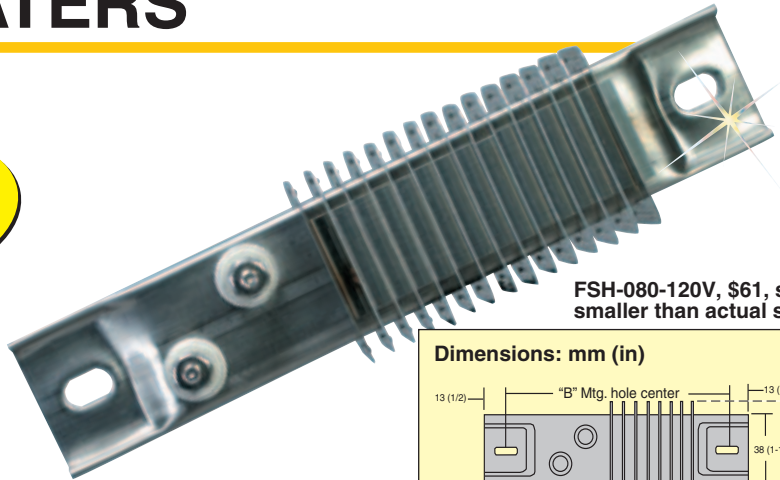




CERAMIC-INSULATED FINNED STRIP HEATERS

FSH Series Starts at
\$61

For Fast Heat Transfer!



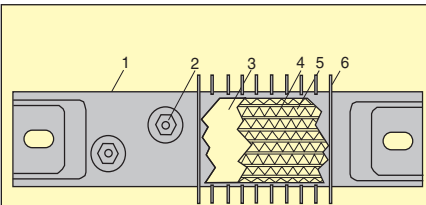
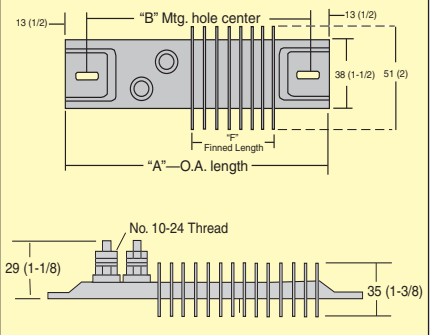
FSH-080-120V, \$61, shown smaller than actual size.

- ✓ Excellent for Use in Air Heating, Air Ovens, and Load Banks
- ✓ Seamless Stainless Steel Sheath
- ✓ Post Terminals
- ✓ Ceramic Element Support
- ✓ Magnesium Oxide Packing

Formula for Determination of Watt Density

$$\text{Watts/sq. in.} = \frac{\text{Total unit wattage}}{F (\text{finned length}) \times 3}$$

Dimensions: mm (in)



CONSTRUCTION

1. Seamless stainless steel sheath
2. Post terminals
3. Ceramic element support
4. Element wire situated close to outside surface for maximum heat transfer and minimum internal temperature while preserving good dielectric qualities
5. Magnesium oxide packing
6. Aluminum fins offering maximum radiating surface and providing for rapid heat transfer to the surrounding medium. Stainless steel fins are available for corrosive environments. Aluminum fins are standard.

Tolerances

Length: Up to 610 mm (24"), ±1.6 mm (1/16"); 610 mm (24") and over, ±3.2 mm (1/8")
Wattage: -10 to 5% at rated voltage

Type of Air	Ft./min.	°C (°F)	Max. Watts/Sq. In.
Still	—	Up to 149 (300)	20
Still	—	149 to 315 (300 to 600)	16
Still	—	315 to 427 (600 to 800)	10
Moving	600	Up to 93 (200)	40
Moving	600	93 to 204 (200 to 400)	30
Moving	600	204 to 315 (400 to 600)	20
Moving	1200	Up to 93 (200)	50
Moving	1200	93 to 204 (200 to 400)	35
Moving	1200	204 to 315 (400 to 600)	25

MOST POPULAR MODELS HIGHLIGHTED!

To Order (Specify Model Number)

Model No.	Price	Description	Watts	Dimensions: cm (in)		
				A	B	F
FSH-080-120V	\$61	Finned strip heater	400	20 (8)	18 (7)	8 (3)
FSH-080-240V	61	Finned strip heater	400	20 (8)	18 (7)	8 (3)
FSH-105-120V	63	Finned strip heater	300	27 (10.5)	24 (10)	15 (6)
FSH-105-240V	63	Finned strip heater	300	27 (10.5)	24 (10)	15 (6)
FSH-120-120V	66	Finned strip heater	500	30 (12)	28 (11)	20 (8)
FSH-120-240V	66	Finned strip heater	500	30 (12)	28 (11)	20 (8)
FSH-121-120V	66	Finned strip heater	750	30 (12)	28 (11)	20 (8)
FSH-121-240V	66	Finned strip heater	750	30 (12)	28 (11)	20 (8)
FSH-150-120V	73	Finned strip heater	500	39 (15)	36 (14)	27 (11)
FSH-150-240V	73	Finned strip heater	500	39 (15)	36 (14)	27 (11)
FSH-180-120V	80	Finned strip heater	750	46 (18)	43 (17)	34 (13)
FSH-180-240V	80	Finned strip heater	750	46 (18)	43 (17)	34 (13)
FSH-181-120V	80	Finned strip heater	1250	46 (18)	43 (17)	34 (13)
FSH-181-240V	80	Finned strip heater	1250	46 (18)	43 (17)	34 (13)
FSH-237-120V	95	Finned strip heater	1000	60 (24)	58 (23)	48 (19)
FSH-237-240V	95	Finned strip heater	1000	60 (24)	58 (23)	48 (19)
FSH-357-240V	132	Finned strip heater	2500	91 (36)	58 (23)	48 (19)
PE-1010	125	Reference Book: Engineering Design Process				

Ordering Examples: **FSH-105-120V**, finned strip heater, \$63.
FSH-181-120V, finned strip heater, \$80.





UNITED STATES

www.omega.com
1-800-TC-OMEGA
Stamford, CT.

CANADA

www.omega.ca
Laval(Quebec)
1-800-TC-OMEGA

GERMANY

www.omega.de
Deckenpfronn, Germany
0800-8266342

UNITED KINGDOM

www.omega.co.uk
Manchester, England
0800-488-488

FRANCE

www.omega.fr
Guyancourt, France
088-466-342

CZECH REPUBLIC

www.omegaeng.cz
Karviná, Czech Republic
596-311-899

BENELUX

www.omega.nl
Amstelveen, NL
0800-099-33-44



More than 100,000 Products Available!

• Temperature

Calibrators, Connectors, General Test and Measurement Instruments, Glass Bulb Thermometers, Handheld Instruments for Temperature Measurement, Ice Point References, Indicating Labels, Crayons, Cements and Lacquers, Infrared Temperature Measurement Instruments, Recorders Relative Humidity Measurement Instruments, RTD Probes, Elements and Assemblies, Temperature & Process Meters, Timers and Counters, Temperature and Process Controllers and Power Switching Devices, Thermistor Elements, Probes and Assemblies, Thermocouples Thermowells and Head and Well Assemblies, Transmitters, Wire

• Flow and Level

Air Velocity Indicators, Doppler Flowmeters, Level Measurement, Magnetic Flowmeters, Mass Flowmeters, Pitot Tubes, Pumps, Rotameters, Turbine and Paddle Wheel Flowmeters, Ultrasonic Flowmeters, Valves, Variable Area Flowmeters, Vortex Shedding Flowmeters

• pH and Conductivity

Conductivity Instrumentation, Dissolved Oxygen Instrumentation, Environmental Instrumentation, pH Electrodes and Instruments, Water and Soil Analysis Instrumentation

• Data Acquisition

Auto-Dialers and Alarm Monitoring Systems, Communication Products and Converters, Data Acquisition and Analysis Software, Data Loggers Plug-in Cards, Signal Conditioners, USB, RS232, RS485 and Parallel Port Data Acquisition Systems, Wireless Transmitters and Receivers

• Pressure, Strain and Force

Displacement Transducers, Dynamic Measurement Force Sensors, Instrumentation for Pressure and Strain Measurements, Load Cells, Pressure Gauges, Pressure Reference Section, Pressure Switches, Pressure Transducers, Proximity Transducers, Regulators, Strain Gages, Torque Transducers, Valves

• Heaters

Band Heaters, Cartridge Heaters, Circulation Heaters, Comfort Heaters, Controllers, Meters and Switching Devices, Flexible Heaters, General Test and Measurement Instruments, Heater Hook-up Wire, Heating Cable Systems, Immersion Heaters, Process Air and Duct, Heaters, Radiant Heaters, Strip Heaters, Tubular Heaters