



# HIGH TEMPERATURE GAS APPLICATIONS TO 1200°F

## GCHIS, GCHISB & GCHISR Series

Basic Unit  
**\$3279**



To Order (Specify Model Number)

**MOST POPULAR  
ITEMS HIGHLIGHTED**

kW	Volts	Ckt & Phase	Dimensions (In.)			Model No.	Price	Wt. (Lb.)
			A	B	C			
<b>Series 03 — 3 inch, 150 lb 304 stainless steel vessel — 3 INCOLOY elements (15 W/In<sup>2</sup>) with side mounted thermostat (200 to 550°F) — 1" NPT pipe inlet and outlet<sup>1</sup></b>								
2	240	1-3	33 $\frac{3}{4}$	22 $\frac{1}{2}$	16 $\frac{1}{2}$	GCHISR-03-002P-E1/240*	\$3279	62
2	480	1-3	33 $\frac{3}{4}$	22 $\frac{1}{2}$	16 $\frac{1}{2}$	GCHISR-03-002P-E1/480*	3279	62
4	240	1-3	55 $\frac{3}{4}$	45	36	GCHISR-03-004P-E1/240*	3785	94
4	480	1-3	55 $\frac{3}{4}$	45	36	GCHISR-03-004P-E1/480*	3785	94
<b>Series 06 — 5 inch, 150 lb 304 stainless steel vessel — 6 INCOLOY elements (15 W/In<sup>2</sup>) with side mounted thermostat (200 to 550°F) — 2" NPT pipe inlet and outlet<sup>1</sup></b>								
4	240	1-3	41 $\frac{3}{4}$	30	11 $\frac{1}{2}$	GCHISR-06-004P-E1/240*	6095	135
4	480	1-3	41 $\frac{3}{4}$	30	11 $\frac{1}{2}$	GCHISR-06-004P-E1/480*	6095	135
8	240	1-3	48 $\frac{3}{4}$	37	14 $\frac{7}{8}$	GCHISR-06-008P-E1/240*	6595	164
8	480	1-3	48 $\frac{3}{4}$	37	14 $\frac{7}{8}$	GCHISR-06-008P-E1/480*	6595	164
12	240	1-3	60 $\frac{3}{4}$	48 $\frac{1}{2}$	20 $\frac{3}{4}$	GCHISR-06-012P-E1/240*	7445	195
12	480	1-3	60 $\frac{3}{4}$	48 $\frac{1}{2}$	20 $\frac{3}{4}$	GCHISR-06-012P-E1/480*	7445	195
15	240	1-3	73 $\frac{3}{4}$	61 $\frac{7}{8}$	27 $\frac{1}{2}$	GCHISR-06-015P-E1/240*	7515	215
15	480	1-3	73 $\frac{3}{4}$	61 $\frac{7}{8}$	27 $\frac{1}{2}$	GCHISR-06-015P-E1/480*	7515	215
20	240	1-3	86 $\frac{3}{4}$	74 $\frac{7}{8}$	33 $\frac{3}{4}$	GCHISR-06-020P-E1/240*	8019	253
20	480	1-3	86 $\frac{3}{4}$	74 $\frac{7}{8}$	33 $\frac{3}{4}$	GCHISR-06-020P-E1/480*	8019	253
<b>Series 06 — 5 inch, 150 lb 304 stainless steel vessel — 6 INCOLOY elements (23 W/In<sup>2</sup>) with side mounted thermostat (200 to 550°F) — 2" NPT pipe inlet and outlet<sup>1</sup></b>								
25	240	2-3	73 $\frac{3}{4}$	61 $\frac{7}{8}$	27 $\frac{1}{2}$	GCHIS-06-025P-E1/240*	8429	195
25	480	1-3	73 $\frac{3}{4}$	61 $\frac{7}{8}$	27 $\frac{1}{2}$	GCHIS-06-025P-E1/480*	8429	195
30	240	2-3	86 $\frac{3}{4}$	74 $\frac{7}{8}$	33 $\frac{3}{4}$	GCHIS-06-030P-E1/240*	9409	240
30	480	1-3	86 $\frac{3}{4}$	74 $\frac{7}{8}$	33 $\frac{3}{4}$	GCHIS-06-030P-E1/480*	9409	240
<b>Series 18 — 8 inch, 150 lb 304 stainless steel vessel — 18 baffled INCOLOY elements<sup>1</sup> (23 W/In<sup>2</sup>)</b>								
30	240	3-3	50 $\frac{3}{4}$	28 $\frac{1}{2}$	25	GCHISB-18-030P-E1/240*	10,499	340
30	480	3-3	50 $\frac{3}{4}$	28 $\frac{1}{2}$	25	GCHISB-18-030P-E1/480*	10,499	340
40	240	3-3	54 $\frac{3}{8}$	32 $\frac{11}{16}$	29 $\frac{3}{8}$	GCHISB-18-040P-E1/240*	11,285	410
40	480	3-3	54 $\frac{3}{8}$	32 $\frac{11}{16}$	29 $\frac{3}{8}$	GCHISB-18-040P-E1/480*	11,285	410
50	240	3-3	61 $\frac{1}{8}$	39 $\frac{11}{16}$	36 $\frac{3}{8}$	GCHISB-18-050P-E1/240*	12,175	480
50	480	3-3	61 $\frac{1}{8}$	39 $\frac{11}{16}$	36 $\frac{3}{8}$	GCHISB-18-050P-E1/480*	12,175	480
<b>Series 27 — 10 inch, 150 lb stainless steel vessel — 27 INCOLOY elements<sup>1</sup> (20 W/In<sup>2</sup>)</b>								
50	240	3-3	56 $\frac{3}{8}$	31	27 $\frac{1}{2}$	GCHIS-27-050P-E1/240*	18,305	340
50	480	3-3	56 $\frac{3}{8}$	31	27 $\frac{1}{2}$	GCHIS-27-050P-E1/480*	18,305	340
60	240	3-3	62 $\frac{3}{8}$	37	33 $\frac{1}{2}$	GCHIS-27-060P-E1/240*	19,135	370
60	480	3-3	62 $\frac{3}{8}$	37	33 $\frac{1}{2}$	GCHIS-27-060P-E1/480*	19,135	370
70	240	3-3	68 $\frac{3}{8}$	43	39 $\frac{1}{2}$	GCHIS-27-070P-E1/240*	19,789	400
70	480	3-3	68 $\frac{3}{8}$	43	39 $\frac{1}{2}$	GCHIS-27-070P-E1/480*	19,789	400
80	240	3-3	75 $\frac{3}{8}$	50	46 $\frac{1}{2}$	GCHIS-27-080P-E1/240*	20,935	430
80	480	3-3	75 $\frac{3}{8}$	50	46 $\frac{1}{2}$	GCHIS-27-080P-E1/480*	20,935	430
90	240	3-3	81 $\frac{1}{8}$	56	52 $\frac{1}{2}$	GCHIS-27-090P-E1/240*	22,065	543
90	480	3-3	81 $\frac{1}{8}$	56	52 $\frac{1}{2}$	GCHIS-27-090P-E1/480*	22,065	560

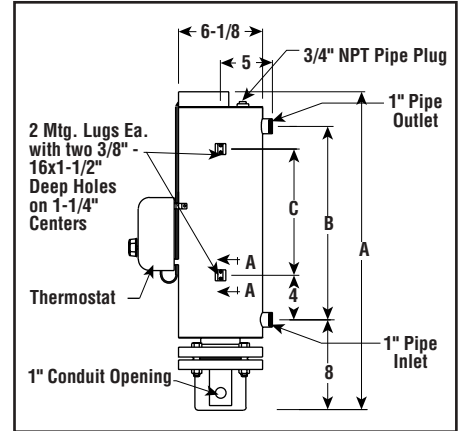
\*To Order — Add phase suffix /1P, /2P or /3P to model number.

Ordering Example: GCHISB-18-030P-E1/240/3P is a series 18, 8-inch, 150 lb., 3-phase, 240 Volt unit, \$10,499.

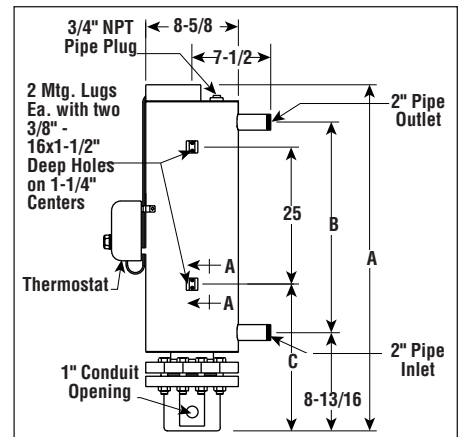
1. Recommended temperature limits for all GCH heaters with stainless steel vessels and INCOLOY elements are 1600° F maximum for the sheath temperature and 1200° F maximum for the vessel temperature at 5 psi maximum pressure. Exceeding these recommendations will void the factory warranty. Outlet gas temperatures must be kept below both the maximum sheath and vessel temperatures or element and vessel damage may occur.

Other Note — Refer to the Controls section for side mounted controls or control panels.

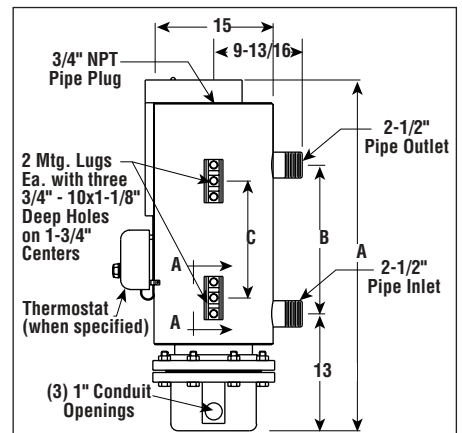
Dimensions (Inches)  
GCHIS-03



GCHIS-06



GCHISB-18



# HIGH TEMPERATURE GAS APPLICATIONS TO 1200°F

## GCHIS, GCHISB & GCHISR Series



### To Order (Specify Model Number)

kW	Volts	Ckt & Phase	Dimensions (In.)					Model No.	Price	Wt. (Lbs.)
			A	B	C	D	E			
Series 45 — 14 inch, 150 lb stainless steel vessel — 45 INCOLOY elements <sup>1</sup> (15 W/In <sup>2</sup> )										
90	480	3-3	76	57 <sup>1</sup> / <sub>16</sub>	66 <sup>1</sup> / <sub>16</sub>	15	11 <sup>1</sup> / <sub>2</sub>	GCHIS-45-090P-E1/90	\$28,407	925
125	480	3-3	91	72 <sup>3</sup> / <sub>16</sub>	81 <sup>1</sup> / <sub>16</sub>	15	11 <sup>1</sup> / <sub>2</sub>	GCHIS-45-125P-E1/125	29,486	1025
150	480	3-3	106	87 <sup>1</sup> / <sub>16</sub>	96 <sup>1</sup> / <sub>16</sub>	15	11 <sup>1</sup> / <sub>2</sub>	GCHIS-45-150P-E1/150	30,706	1125
175	480	3-3	121	102 <sup>3</sup> / <sub>16</sub>	111 <sup>1</sup> / <sub>16</sub>	15	11 <sup>1</sup> / <sub>2</sub>	GCHIS-45-175P-E1/175	31,631	1225
200	480	3-3	128 <sup>1</sup> / <sub>2</sub>	109 <sup>1</sup> / <sub>16</sub>	119 <sup>1</sup> / <sub>16</sub>	15	11 <sup>1</sup> / <sub>2</sub>	GCHIS-45-200P-E1/200	32,427	1325

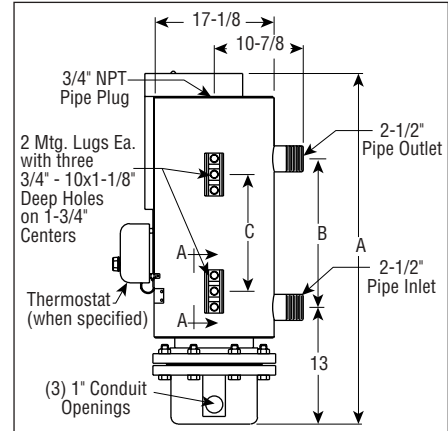
**Ordering Example:** GCHIS-45-150P-E1/480 is a 150 kW, 480 Volt Heater, \$30,706.

1. Recommended temperature limits for all GCH heaters with stainless steel vessels and INCOLOY elements are 1600°F maximum for the sheath temperature and 1200°F maximum for the vessel temperature at 5 psi pressure maximum. Exceeding these recommendations will void the factory warranty. Outlet gas temperatures must be kept below both the maximum sheath and vessel temperature or element and vessel damage may occur.

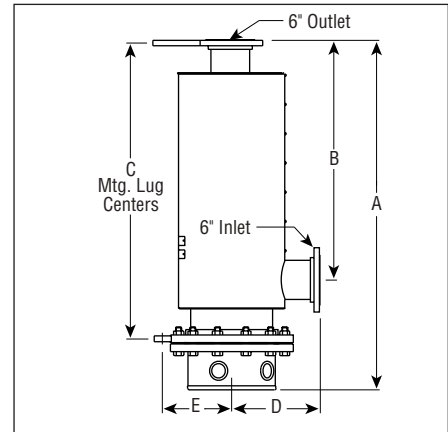
**Other Note** — Refer to the Controls section for side mounted controls or control panels.

### Dimensions (Inches)

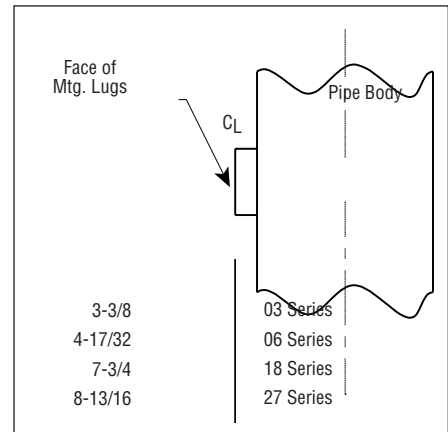
#### GCHIS-27



#### GCHIS-45



#### GCHIS-AA



### Ordering Information

To Order: Complete the Model Number using the Matrix provided

Model	High Temperature Gas to 1200°F <sup>1</sup>			
GCHIS	Gas Circulation Heater			
B	INCOLOY Elements — Stainless Steel Vessel			
	Internal Baffles			
	Code	Number of Elements		
	03	Three		
	06	Six		
	18	Eighteen		
	27	Twenty Seven		
	45	Forty Five		
	Code	kW		
	002P	2	050P	50
	004P	4	060P	60
	008P	8	070P	70
	012P	12	075P	75
	015P	15	080P	80
	020P	20	090P	90
	025P	25	125P	125
	030P	30	175P	175
	040P	40	200P	200
	Code	Terminal Enclosure		
	E1	General Purpose		
	E2	Moisture Resistant/Explosion Resistant		
	E3	Explosion Resistant		
	E4	Moisture Resistant		
GCHIS	18	030P	E1	Typical Model Number



#### UNITED STATES

[www.omega.com](http://www.omega.com)  
1-800-TC-OMEGA  
Stamford, CT.

#### CANADA

[www.omega.ca](http://www.omega.ca)  
Laval(Quebec)  
1-800-TC-OMEGA

#### GERMANY

[www.omega.de](http://www.omega.de)  
Deckenpfronn, Germany  
0800-8266342

#### UNITED KINGDOM

[www.omega.co.uk](http://www.omega.co.uk)  
Manchester, England  
0800-488-488

#### FRANCE

[www.omega.fr](http://www.omega.fr)  
Guyancourt, France  
088-466-342

#### CZECH REPUBLIC

[www.omegaeng.cz](http://www.omegaeng.cz)  
Karviná, Czech Republic  
596-311-899

#### BENELUX

[www.omega.nl](http://www.omega.nl)  
Amstelveen, NL  
0800-099-33-44



## More than 100,000 Products Available!

### • Temperature

Calibrators, Connectors, General Test and Measurement Instruments, Glass Bulb Thermometers, Handheld Instruments for Temperature Measurement, Ice Point References, Indicating Labels, Crayons, Cements and Lacquers, Infrared Temperature Measurement Instruments, Recorders Relative Humidity Measurement Instruments, RTD Probes, Elements and Assemblies, Temperature & Process Meters, Timers and Counters, Temperature and Process Controllers and Power Switching Devices, Thermistor Elements, Probes and Assemblies, Thermocouples Thermowells and Head and Well Assemblies, Transmitters, Wire

### • Flow and Level

Air Velocity Indicators, Doppler Flowmeters, Level Measurement, Magnetic Flowmeters, Mass Flowmeters, Pitot Tubes, Pumps, Rotameters, Turbine and Paddle Wheel Flowmeters, Ultrasonic Flowmeters, Valves, Variable Area Flowmeters, Vortex Shedding Flowmeters

### • pH and Conductivity

Conductivity Instrumentation, Dissolved Oxygen Instrumentation, Environmental Instrumentation, pH Electrodes and Instruments, Water and Soil Analysis Instrumentation

### • Data Acquisition

Auto-Dialers and Alarm Monitoring Systems, Communication Products and Converters, Data Acquisition and Analysis Software, Data Loggers Plug-in Cards, Signal Conditioners, USB, RS232, RS485 and Parallel Port Data Acquisition Systems, Wireless Transmitters and Receivers

### • Pressure, Strain and Force

Displacement Transducers, Dynamic Measurement Force Sensors, Instrumentation for Pressure and Strain Measurements, Load Cells, Pressure Gauges, Pressure Reference Section, Pressure Switches, Pressure Transducers, Proximity Transducers, Regulators, Strain Gages, Torque Transducers, Valves

### • Heaters

Band Heaters, Cartridge Heaters, Circulation Heaters, Comfort Heaters, Controllers, Meters and Switching Devices, Flexible Heaters, General Test and Measurement Instruments, Heater Hook-up Wire, Heating Cable Systems, Immersion Heaters, Process Air and Duct, Heaters, Radiant Heaters, Strip Heaters, Tubular Heaters