

HEAVY DUTY WALL OR CEILING MOUNT HORIZONTAL UNIT HEATER

LUH Series
Starts at
\$571



LUH-02-71-35,
\$571, shown
smaller than
actual size.



- ✓ 2.6 to 45 kW
- ✓ 208, 240, 277, 480V
1 and 3 Phase
- ✓ 8,900 to 153,600 BTU/Hr
- ✓ Meets UL, NEC and
OSHA Requirements
- ✓ No Venting Necessary
- ✓ Built-In Power Controls

CAUTION AND WARNING!
Fire and electrical shock may result if products are used improperly or installed or used by non-qualified personnel. See inside back cover for additional warnings.

MOST POPULAR MODELS HIGHLIGHTED!

To Order (Specify Model Number)																
Model No.	Price	Electrical (60 Hz)				Motor				Air Delivery					Wt lb	
		kW	Volts	Ckt and Phase	Amps ³	Volts	Phase	HP	RPM	CFM	FPM	Temp Rise (°F)	Horz Throw (ft)	Mtg ⁴ Height (ft)		
LUH-02-81-34	\$571	2.6	208	1-1	13.1	208	1	1/50	1000	310	700	27	12	8	32	
LUH-02-21-34	571	2.0/2.6	208/240	1-1	11.4 ¹	240	1	1/50	1000	310	700	27	12	8	32	
LUH-02-71-35	571	2.6	277	1-1	9.6	277	1	1/50	1000	310	700	27	12	8	32	
LUH-04-81-34	600	4	208	1-1	19.8	208	1	1/50	1000	310	700	42	12	8	32	
LUH-04-83-34	600	4	208	1-3 ²	11.7 ¹	208	1	1/50	1000	310	700	42	12	8	32	
LUH-04-21-34	600	3/4	208/240	1-1	17.2 ¹	240	1	1/50	1000	310	700	42	12	8	32	
LUH-04-23-34	600	3/4	208/240	1-3 ²	10.2	240	1	1/50	1000	310	700	42	12	8	32	
LUH-04-71-35	600	4	277	1-1	14.6	277	1	1/50	1000	310	700	42	12	8	32	
LUH-04-43-32	725	4	480	1-3	5.1	480	1	1/50	1000	310	700	42	12	8	32	
LUH-05-81-34	784	5	208	1-1	24.6	208	1	1/50	1050	420	950	42	18	8	32	
LUH-05-83-34	784	5	208	1-3 ²	14.5	208	1	1/50	1050	420	950	42	18	8	32	
LUH-05-21-34	784	3.75/5	208/240	1-1	21.4	240	1	1/50	1050	420	950	42	18	8	32	
LUH-05-23-34	784	3.75/5	208/240	1-3 ²	12.6	240	1	1/50	1050	420	950	42	18	8	32	
LUH-05-71-35	784	5	277	1-1	18.3	277	1	1/50	1050	420	950	42	18	8	32	
LUH-05-43-32	909	5	480	1-3	6.3	480	1	1/50	1050	420	950	42	18	8	32	
LUH-07-81-34	924	7.5	208	1-1 ²	36.5	208	1	1/10	1550	670	850	40	20	8	50	
LUH-07-83-34	924	7.5	208	1-3	21.3	208	1	1/10	1550	670	850	40	20	8	50	
LUH-07-21-34	924	5.6/7.5	208/240	1-1 ²	31.7 ¹	240	1	1/10	1550	670	850	40	20	8	50	
LUH-07-71-35	924	7.5	277	1-3	27.7	277	1	1/10	1550	670	850	40	20	8	50	
LUH-07-43-32	1049	7.5	480	1-3	9.9	480	3	1/10	1550	670	850	40	20	8	50	
LUH-10-81-34	969	9.7	208	1-1 ²	47.1	208	1	1/10	1550	750	950	47	27	9	50	
LUH-10-83-34	969	9.7	208	1-3	27.4	208	1	1/10	1550	750	950	47	27	9	50	
LUH-10-21-34	969	7.5/10	208/240	1-1 ²	42.1 ¹	240	1	1/10	1550	750	950	47	27	9	50	
LUH-10-23-34	969	7.5/10	208/240	1-3	24.5 ¹	240	1	1/10	1550	750	950	47	27	9	50	
LUH-10-43-32	1094	10	480	1-3	12.9	480	3	1/10	1550	750	950	47	27	9	50	
LUH-12-83-34	1197	12.5	208	1-3	35.2	208	1	1/10	1550	750	950	55	27	9	50	
LUH-12-23-34	1197	9.3/12.5	208/240	1-3	30.6	240	1	1/10	1550	750	950	55	27	9	50	
LUH-12-43-32	1322	12.5	480	1-3	15.9	480	3	1/10	1550	750	950	55	27	9	50	
LUH-15-83-34	1606	15	208	1-3	42.1	208	1	1/10	1550	750	950	61	27	10	50	
LUH-15-23-34	1606	11.25/15	208/240	1-3	36.6 ¹	240	1	1/10	1550	750	950	61	27	10	50	
LUH-15-43-32	1731	15	480	1-3	19.0	480	3	1/10	1550	750	950	61	27	10	50	
LUH-20-23-34	2032	14.5/19.4	208/240	1-3	48.0 ¹	240	3	1/10	1550	1240	1160	53	31	11	73	
LUH-20-43-32	2157	20	480	1-3	25.0	480	3	1/10	1550	1240	1160	53	31	11	73	
LUH-25-43-32	2460	25	480	1-3	31.0	480	3	1/10	1550	1350	1260	60	31	12	73	
LUH-30-23-34	3040	22.5/30	208/240	2-3	74.0 ¹	240	3	1/3	1725	1555	1450	64	46	13	106	
LUH-30-43-32	3065	30	480	2-3	37.1	480	3	1/3	1725	1555	1450	64	46	13	106	
LUH-35-23-34	3564	26.25/35	208/240	2-3	86.0 ¹	240	3	1/3	1725	1555	1450	71	45	14	106	
LUH-35-43-32	3689	35	480	2-3	43.1	480	3	1/3	1725	1555	1450	71	45	14	106	
LUH-40-23-34	3799	28.5/38	208/240	2-3	93.3	240	3	1/3	1725	1555	1450	84	44	15	106	
LUH-45-43-32	4157	45	480	2-3	55.1	480	3	1/3	1725	1555	1450	94	42	17	106	

Ordering Examples: LUH-07-83-34, 7.5 kW, 208V heater, \$924.

LUH-02-81-34, 2.6 kW, 208V heater, \$571.

1. 208V amperage is 86% of 240V value

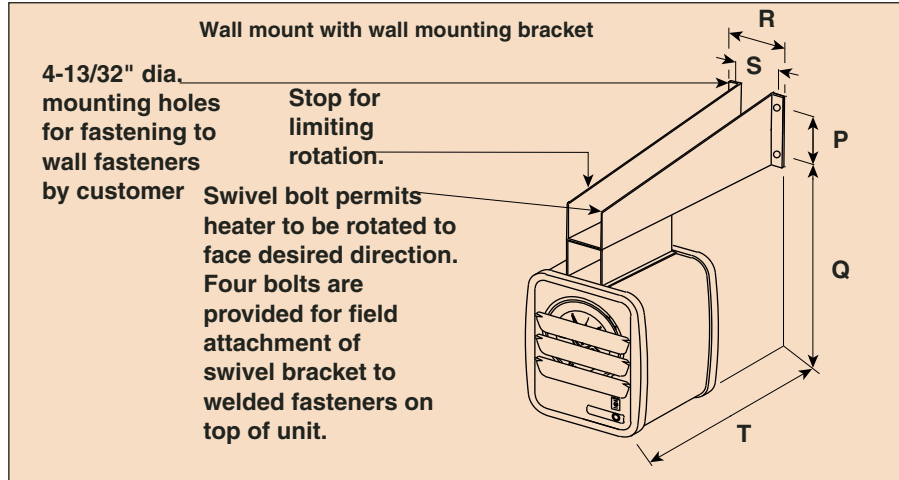
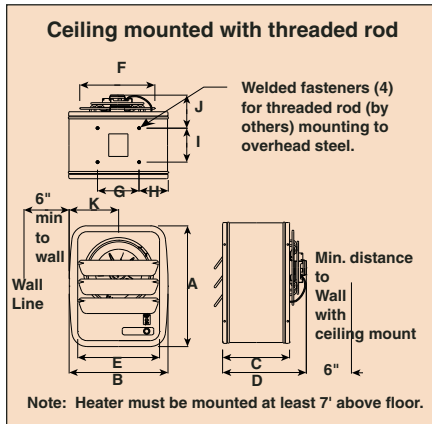
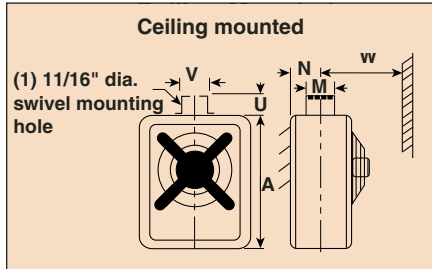
2. Models can be wired for 1 or 3 phase

3. Includes motor amps

4. Maximum mounting height for effective heat distribution, minimum height is 7 feet

INSTALLATION ACCESSORIES AND THERMOSTAT KITS FOR LUH SERIES

Mounting Configurations for LUH Series



Thermostat Kits (Field-Installed) AVAILABLE FOR FAST DELIVERY!

To Order (Specify Model Number)			
Model No.	Price	Type	Use With*
LUH-TK-2	\$90	DPST	LUH-02 thru LUH-05 (without contactor)
LUH-TK-1	76	SPST	LUH-02 thru LUH-25 (with contactor)

* All LUH heaters have contactor except LUH-02, LUH-04 and LUH-05 (single phase). Contactors are optional on these models. Temperature range: 40°F to 90°F, differential: 5°F.

MOUNTING LIMITATION

Hazardous atmosphere—Unit heaters should not be used in potentially explosive atmospheres.

Corrosive atmosphere—The finish is not intended for direct salt spray exposure in marine applications or the highly corrosive atmospheres of greenhouses, swimming pools, chemical storage bins, etc.

Mounting height— Do not install unit heaters above recommended maximum mounting height.

Obstructions— must not block unit heater air inlet or discharge.

Wall Mount Mounting Brackets

Model No.	Price	Use With	Dimensions: cm (in)				
			P	Q	R	S	T
WUH-01A	\$60	LUH-02 thru -05	9 (3 ⁹ / ₁₆)	52 (20 ⁵ / ₈)	17 (6 ³ / ₄)	10 (4)	37 (14 ¹ / ₂)
WUH-02	78	LUH-07 thru -25	11 (4 ³ / ₁₆)	79 (31)	24 (9 ¹ / ₂)	18 (7)	50 (19 ⁵ / ₈)
WUH-03	130	LUH-30 thru -45	18 (7)	72 (28 ¹ / ₂)	13 (5)	—	83 (32 ⁹ / ₁₆)

Ceiling Mount Mounting Brackets

Model No.	Price	Use With	Dimensions: cm (in)		
			M	U	V
WUH-04A	\$44	LUH-02 thru -05	15 (6)	10 (4)	11 (4 ¹ / ₄)
WUH-05	47	LUH-07 thru -25	20 (8)	15 (6)	18 (7 ¹ / ₄)
WUH-06	76	LUH-30 thru -45	35 (13 ³ / ₄)	15 (6)	18 (7 ¹ / ₄)

Dimensions: cm (in)

Model No.	A	B	C	D	Welded Fasteners	E	F	G	H	I	J	K
LUH-02 thru -05	41 (16)	33 (13 ¹ / ₈)	23 (8 ⁷ / ₈)	29 (11 ¹ / ₄)	5/16-18	26 (10 ¹ / ₄)	25 (9 ³ / ₄)	13 (5)	10 (4 ¹ / ₁₆)	12 (4 ⁵ / ₈)	11 (4 ¹ / ₂)	17 (6 ⁵ / ₈)
LUH-07,10,12,15	52 (20 ¹ / ₂)	44 (17 ¹ / ₄)	29 (11 ¹ / ₂)	38 (15)	5/16-18	26 (10 ¹ / ₄)	25 (9 ³ / ₄)	13 (5)	10 (4 ¹ / ₁₆)	12 (4 ⁵ / ₈)	11 (4 ¹ / ₂)	22 (8 ⁵ / ₈)
LUH-02 thru -05	61 (24)	51 (20 ¹ / ₈)	29 (11 ¹ / ₂)	45 (17 ³ / ₄)	5/16-18	26 (10 ¹ / ₄)	25 (9 ³ / ₄)	13 (5)	10 (4 ¹ / ₁₆)	12 (4 ⁵ / ₈)	11 (4 ¹ / ₂)	25 (10)
LUH-02 thru -05	61 (24)	51 (20 ¹ / ₈)	44 (17 ¹ / ₄)	61 (24)	5/16-18	26 (10 ¹ / ₄)	25 (9 ³ / ₄)	13 (5)	10 (4 ¹ / ₁₆)	12 (4 ⁵ / ₈)	11 (4 ¹ / ₂)	25 (10)





UNITED STATES

www.omega.com
1-800-TC-OMEGA
Stamford, CT.

CANADA

www.omega.ca
Laval(Quebec)
1-800-TC-OMEGA

GERMANY

www.omega.de
Deckenpfronn, Germany
0800-8266342

UNITED KINGDOM

www.omega.co.uk
Manchester, England
0800-488-488

FRANCE

www.omega.fr
Guyancourt, France
088-466-342

CZECH REPUBLIC

www.omegaeng.cz
Karviná, Czech Republic
596-311-899

BENELUX

www.omega.nl
Amstelveen, NL
0800-099-33-44



More than 100,000 Products Available!

• Temperature

Calibrators, Connectors, General Test and Measurement Instruments, Glass Bulb Thermometers, Handheld Instruments for Temperature Measurement, Ice Point References, Indicating Labels, Crayons, Cements and Lacquers, Infrared Temperature Measurement Instruments, Recorders Relative Humidity Measurement Instruments, RTD Probes, Elements and Assemblies, Temperature & Process Meters, Timers and Counters, Temperature and Process Controllers and Power Switching Devices, Thermistor Elements, Probes and Assemblies, Thermocouples Thermowells and Head and Well Assemblies, Transmitters, Wire

• Flow and Level

Air Velocity Indicators, Doppler Flowmeters, Level Measurement, Magnetic Flowmeters, Mass Flowmeters, Pitot Tubes, Pumps, Rotameters, Turbine and Paddle Wheel Flowmeters, Ultrasonic Flowmeters, Valves, Variable Area Flowmeters, Vortex Shedding Flowmeters

• pH and Conductivity

Conductivity Instrumentation, Dissolved Oxygen Instrumentation, Environmental Instrumentation, pH Electrodes and Instruments, Water and Soil Analysis Instrumentation

• Data Acquisition

Auto-Dialers and Alarm Monitoring Systems, Communication Products and Converters, Data Acquisition and Analysis Software, Data Loggers Plug-in Cards, Signal Conditioners, USB, RS232, RS485 and Parallel Port Data Acquisition Systems, Wireless Transmitters and Receivers

• Pressure, Strain and Force

Displacement Transducers, Dynamic Measurement Force Sensors, Instrumentation for Pressure and Strain Measurements, Load Cells, Pressure Gauges, Pressure Reference Section, Pressure Switches, Pressure Transducers, Proximity Transducers, Regulators, Strain Gages, Torque Transducers, Valves

• Heaters

Band Heaters, Cartridge Heaters, Circulation Heaters, Comfort Heaters, Controllers, Meters and Switching Devices, Flexible Heaters, General Test and Measurement Instruments, Heater Hook-up Wire, Heating Cable Systems, Immersion Heaters, Process Air and Duct, Heaters, Radiant Heaters, Strip Heaters, Tubular Heaters