

# OVER-THE-SIDE IMMERSION HEATERS

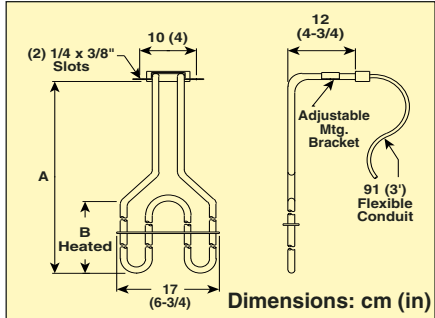
## For Plating Tanks

PTH Series  
Starts at  
**\$192**

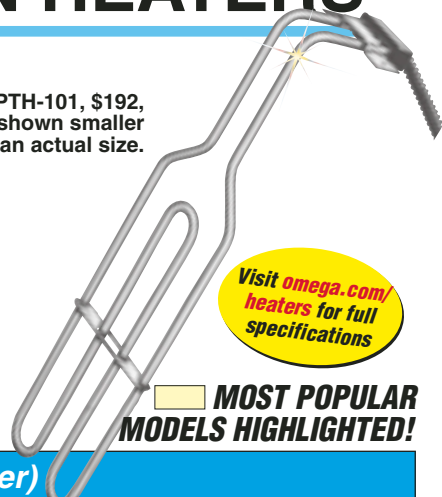


- ✓ Heavy-Duty
- ✓ Passivated 316 SS Sheath for Corrosive Environments
- ✓ Portable
- ✓ Vapor-Tight Terminal Enclosure
- ✓ Stocked for Fast Delivery

The PTH Series consists of heavy-duty, general purpose heaters for plating tanks, rinse tanks, and other tanks containing aqueous solutions. The 316 SS sheath is passivated, providing resistance to corrosion. These heaters are equipped with a vapor-tight terminal enclosure and a 3-foot-long, vinyl-covered flexible conduit containing the 2 power leads and a ground wire. The stainless steel mounting bracket can slide along the element, which makes installation easy.



PTH-101, \$192, shown smaller than actual size.



Visit [omega.com/heaters](http://omega.com/heaters) for full specifications

**MOST POPULAR MODELS HIGHLIGHTED!**

### To Order (Specify Model Number)

Model Number	Price	kW	Volts	W/in <sup>2</sup>	Dimensions: cm (in)		Wt. kg (lb)
					A	B	
PTH-101	\$192	1	120	21	36 (14)	20 (8)	1.5 (4)
PTH-102	192	1	240	21	36 (14)	20 (8)	1.5 (4)
PTH-202	230	2	240	31	53 (21)	28 (11)	1.5 (4)
PTH-204	230	2	480	31	53 (21)	28 (11)	1.5 (4)
PTH-302	251	3	240	32	66 (26)	41 (16)	1.9 (5)
PTH-304	251	3	480	32	66 (26)	41 (16)	1.9 (5)
PTH-402	270	4	240	34	76 (30)	51 (20)	1.9 (5)
PTH-404	270	4	480	34	76 (30)	51 (20)	1.9 (5)
PTH-602	339	6	240	34	102 (40)	76 (30)	2.2 (6)
PTH-604	339	6	480	34	102 (40)	76 (30)	2.2 (6)
PTH-902	437	9	240	34	137 (54)	112 (44)	20 (8)
PTH-904	437	9	480	34	137 (54)	112 (44)	20 (8)

*Note: Liquid level should be above B dimension. If used in solutions that develop a scale on the sheath, periodic cleaning is required. Also available in other sheath materials and electrical ratings. Contact Sales for price and delivery information.*

**Ordering Examples: PTH-101, 120V heater, \$192. PTH-304, 480V heater, \$251.**

CT Series  
Starts at  
**\$324**

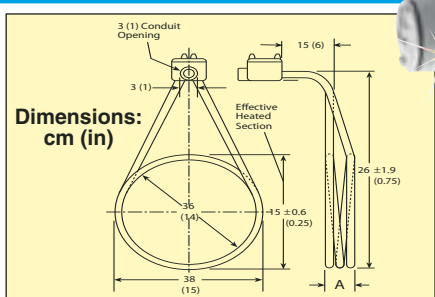


- ✓ Lightweight, Thin-Profile Heaters
- ✓ For Water and Corrosive Liquids
- ✓ Vapor-Tight Terminal Enclosure

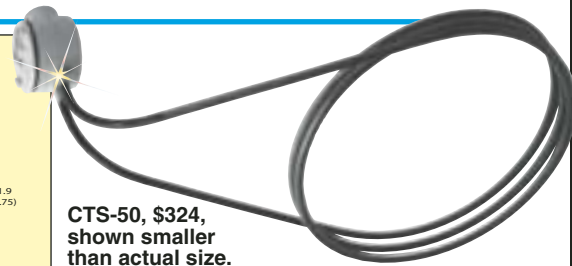
The OMEGALUX® CT Series immersion heaters are made of tubular elements contained in a spiral loop to save space. Terminals are housed in a cast-alloy vapor-tight enclosure with a removable lid. These heaters are suitable for many applications, depending on the sheath material the user selects.

### APPLICATION

Used to heat a variety of solutions depending upon the type of sheath material selected.



CTS-50, \$324, shown smaller than actual size.



**MOST POPULAR MODELS HIGHLIGHTED!**

### To Order (Specify Model Number)

Model Number	Price	kW	Volts	W/in <sup>2</sup>	Dim: cm (in)	Sheath	Wt. kg (lb)
CTS-50	\$324	5	240	25	5 (2)	Steel	7.5 (20)
CTS-75	415	7.5	240	40	5 (2)	Steel	7.5 (20)
CTC-50	377	5	240	25	5 (2)	Copper	7.5 (20)
CTC-75	496	7.5	240	40	5 (2)	Copper	7.5 (20)
CTSS-50	341	5	240	25	7 (2¾)	304 SS	7.5 (20)
CTSS-75	437	7.5	240	40	7 (2¾)	304 SS	7.5 (20)
CTT-50	444	5	240	44	4 (1½)	Titanium	7.5 (20)
CTT-75	556	7.5	240	44	6 (2½)	Titanium	7.5 (20)
CTAC-50	393	5	240	25	7 (2¾)	Carp. stainless #20*	7.5 (20)
CTAC-75	527	7.5	240	40	7 (2¾)	Carp. stainless #20*	7.5 (20)

\* Carpenter stainless number 20-CB-3. Also available with titanium sheath. Contact OMEGALUX® for availability.

**Ordering Examples: CTS-50, 240V, steel sheath heater, \$324. CTSS-75, 240V copper sheath heater, \$437.**



#### UNITED STATES

[www.omega.com](http://www.omega.com)  
1-800-TC-OMEGA  
Stamford, CT.

#### CANADA

[www.omega.ca](http://www.omega.ca)  
Laval(Quebec)  
1-800-TC-OMEGA

#### GERMANY

[www.omega.de](http://www.omega.de)  
Deckenpfronn, Germany  
0800-8266342

#### UNITED KINGDOM

[www.omega.co.uk](http://www.omega.co.uk)  
Manchester, England  
0800-488-488

#### FRANCE

[www.omega.fr](http://www.omega.fr)  
Guyancourt, France  
088-466-342

#### CZECH REPUBLIC

[www.omegaeng.cz](http://www.omegaeng.cz)  
Karviná, Czech Republic  
596-311-899

#### BENELUX

[www.omega.nl](http://www.omega.nl)  
Amstelveen, NL  
0800-099-33-44



## More than 100,000 Products Available!

### • Temperature

Calibrators, Connectors, General Test and Measurement Instruments, Glass Bulb Thermometers, Handheld Instruments for Temperature Measurement, Ice Point References, Indicating Labels, Crayons, Cements and Lacquers, Infrared Temperature Measurement Instruments, Recorders Relative Humidity Measurement Instruments, RTD Probes, Elements and Assemblies, Temperature & Process Meters, Timers and Counters, Temperature and Process Controllers and Power Switching Devices, Thermistor Elements, Probes and Assemblies, Thermocouples Thermowells and Head and Well Assemblies, Transmitters, Wire

### • Flow and Level

Air Velocity Indicators, Doppler Flowmeters, Level Measurement, Magnetic Flowmeters, Mass Flowmeters, Pitot Tubes, Pumps, Rotameters, Turbine and Paddle Wheel Flowmeters, Ultrasonic Flowmeters, Valves, Variable Area Flowmeters, Vortex Shedding Flowmeters

### • pH and Conductivity

Conductivity Instrumentation, Dissolved Oxygen Instrumentation, Environmental Instrumentation, pH Electrodes and Instruments, Water and Soil Analysis Instrumentation

### • Data Acquisition

Auto-Dialers and Alarm Monitoring Systems, Communication Products and Converters, Data Acquisition and Analysis Software, Data Loggers Plug-in Cards, Signal Conditioners, USB, RS232, RS485 and Parallel Port Data Acquisition Systems, Wireless Transmitters and Receivers

### • Pressure, Strain and Force

Displacement Transducers, Dynamic Measurement Force Sensors, Instrumentation for Pressure and Strain Measurements, Load Cells, Pressure Gauges, Pressure Reference Section, Pressure Switches, Pressure Transducers, Proximity Transducers, Regulators, Strain Gages, Torque Transducers, Valves

### • Heaters

Band Heaters, Cartridge Heaters, Circulation Heaters, Comfort Heaters, Controllers, Meters and Switching Devices, Flexible Heaters, General Test and Measurement Instruments, Heater Hook-up Wire, Heating Cable Systems, Immersion Heaters, Process Air and Duct, Heaters, Radiant Heaters, Strip Heaters, Tubular Heaters