

## STRIP HEATERS



WS Series  
Starts at  
**\$99**

- ✓ 6 cm (2½") Wide
- ✓ Rugged, Reliable, Premium Quality
- ✓ 400 to 1500 Watt
- ✓ 2 Terminals at Right Angle At One End
- ✓ CSA Certified



WS-850/120, \$102, shown actual size.

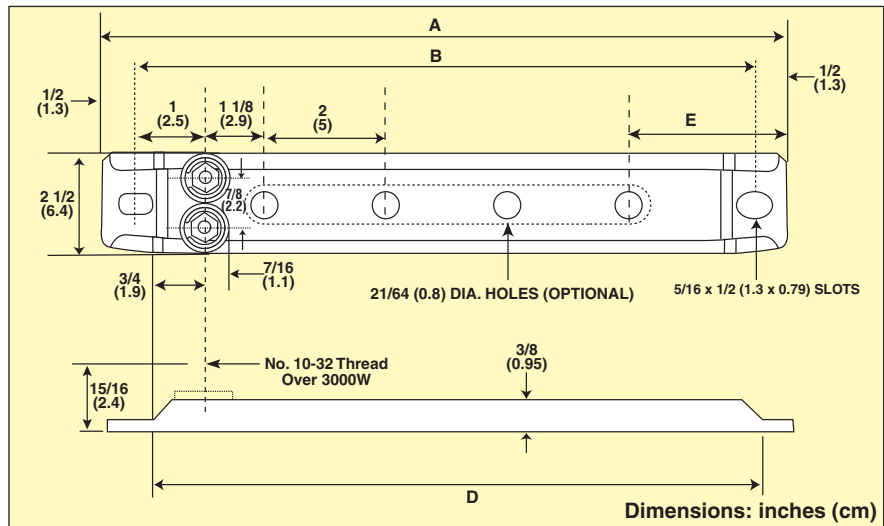
The OMEGALUX® WS series strip heater features 2 terminals placed at a right angle on one end. A standard width of 6 cm (2½") makes them ideal for most strip heater applications.

### SPECIFICATIONS

**Sheath Material:**  
Iron or Chrome Steel  
**Max. Sheath Temp:**  
Iron: 399°C (750°F)  
Chrome Steel: 649°C (1200°F)  
**Power:** 120 Vac or 240 Vac

#### CAUTION AND WARNING

Fire and electrical shock may result if products are used improperly or installed or used by non-qualified personnel. See inside back cover for additional warnings.



**MOST POPULAR MODELS HIGHLIGHTED!**

### To Order (Specify Model Number)

Dimensions—Inches (cm)			Rust-Resisting Sheath					Chrome Steel Sheath					
A	B	D	E	No of Mtg** Hole	Watts	W/in <sup>2</sup> †	Model No.	Price	Watts	W/in <sup>2</sup> †	Model No.	Price	Weight lb (kg)
6½ (17)	5½ (14)	5 (13)	1⅞ (5)	2	400	14	WS-640/*	\$99	500	25	WS-605/*	\$133	0.75 (0.3)
8½ (22)	7½ (19)	7 (18)	1⅞ (5)	3	500	16	WS-850/*	102	600	19	WS-806/*	139	1.0 (0.4)
12 (30)	11 (28)	10½ (27)	3⅜ (9)	4	600	12	WS-1260/*	109	800	16	WS-1208/*	150	1.40 (0.6)
15¼ (39)	14¼ (36)	13¾ (35)	2⅝ (7)	6	750	11	WS-1575/*	114	1000	14	WS-1501/*	162	1.88 (0.9)
21 (53)	20 (51)	19½ (50)	2⅝ (6)	9	850	8	WS-2185/*	125	1250	12	WS-2101/*	215	2.28 (1)
25½ (65)	24½ (62)	24 (61)	2⅞ (7)	11	1000	8	WS-2510/*	139	1500	12	WS-2515/*	225	2.63 (1.2)

**Note:** If terminal housing is required with a WS strip heater, use a type SE-AC-1 mounted sideways. Ceramic post terminal insulators can also be used.

\* Designate voltage, i.e., insert "120" for 120 Vac or "240" for 240 Vac.

\*\* 21/64" diameter holes optional. Standard heaters have two mounting holes.

† To determine maximum allowable watt density, see Figures C-8 or C-9 (page 80).

**Ordering Example:** WS-1575/240, 2½" wide, 240 Vac strip heater, \$114.



#### UNITED STATES

[www.omega.com](http://www.omega.com)  
1-800-TC-OMEGA  
Stamford, CT.

#### CANADA

[www.omega.ca](http://www.omega.ca)  
Laval(Quebec)  
1-800-TC-OMEGA

#### GERMANY

[www.omega.de](http://www.omega.de)  
Deckenpfronn, Germany  
0800-8266342

#### UNITED KINGDOM

[www.omega.co.uk](http://www.omega.co.uk)  
Manchester, England  
0800-488-488

#### FRANCE

[www.omega.fr](http://www.omega.fr)  
Guyancourt, France  
088-466-342

#### CZECH REPUBLIC

[www.omegaeng.cz](http://www.omegaeng.cz)  
Karviná, Czech Republic  
596-311-899

#### BENELUX

[www.omega.nl](http://www.omega.nl)  
Amstelveen, NL  
0800-099-33-44



## More than 100,000 Products Available!

### • Temperature

Calibrators, Connectors, General Test and Measurement Instruments, Glass Bulb Thermometers, Handheld Instruments for Temperature Measurement, Ice Point References, Indicating Labels, Crayons, Cements and Lacquers, Infrared Temperature Measurement Instruments, Recorders Relative Humidity Measurement Instruments, RTD Probes, Elements and Assemblies, Temperature & Process Meters, Timers and Counters, Temperature and Process Controllers and Power Switching Devices, Thermistor Elements, Probes and Assemblies, Thermocouples Thermowells and Head and Well Assemblies, Transmitters, Wire

### • Flow and Level

Air Velocity Indicators, Doppler Flowmeters, Level Measurement, Magnetic Flowmeters, Mass Flowmeters, Pitot Tubes, Pumps, Rotameters, Turbine and Paddle Wheel Flowmeters, Ultrasonic Flowmeters, Valves, Variable Area Flowmeters, Vortex Shedding Flowmeters

### • pH and Conductivity

Conductivity Instrumentation, Dissolved Oxygen Instrumentation, Environmental Instrumentation, pH Electrodes and Instruments, Water and Soil Analysis Instrumentation

### • Data Acquisition

Auto-Dialers and Alarm Monitoring Systems, Communication Products and Converters, Data Acquisition and Analysis Software, Data Loggers Plug-in Cards, Signal Conditioners, USB, RS232, RS485 and Parallel Port Data Acquisition Systems, Wireless Transmitters and Receivers

### • Pressure, Strain and Force

Displacement Transducers, Dynamic Measurement Force Sensors, Instrumentation for Pressure and Strain Measurements, Load Cells, Pressure Gauges, Pressure Reference Section, Pressure Switches, Pressure Transducers, Proximity Transducers, Regulators, Strain Gages, Torque Transducers, Valves

### • Heaters

Band Heaters, Cartridge Heaters, Circulation Heaters, Comfort Heaters, Controllers, Meters and Switching Devices, Flexible Heaters, General Test and Measurement Instruments, Heater Hook-up Wire, Heating Cable Systems, Immersion Heaters, Process Air and Duct, Heaters, Radiant Heaters, Strip Heaters, Tubular Heaters