

START HERE

Using This Quick Start Manual

Use this Quick Start Manual to set up your controller and begin operation. Information is provided on how to:

- Connect ac power
- Connect the RTD
- Set basic options for operation

For complete information on all setup options, see the Operator's Manual.

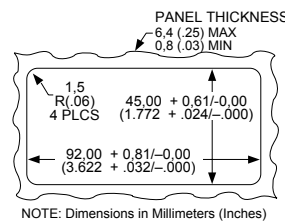
Before You Begin

In addition to the meter and the related parts, you will need the following items to set up your meter:

- ac power, as listed on meter's ID/Power Label
- RTD
- 1/8" flat blade screwdriver

Mount the Meter

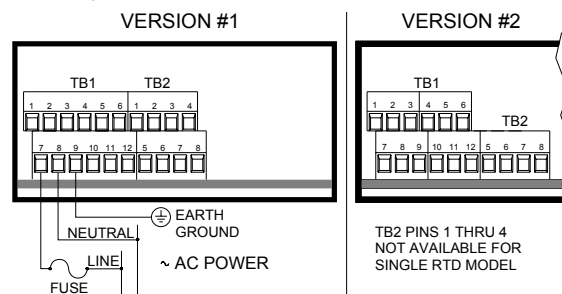
1. Cut a panel opening using the dimensions shown here.
2. Position the meter in the opening, making sure the front bezel is flush with the panel.



Connect ac Power

Warning: Do not connect ac power to your meter until you have completed all input and output connections. Failure to do so may result in injury!

1. Remove the panel at the back of the meter.
2. Locate the TB1 connector.
3. Insert the correct wire in each terminal and tighten the lockdown screws. Tug gently on the wires to verify connections.

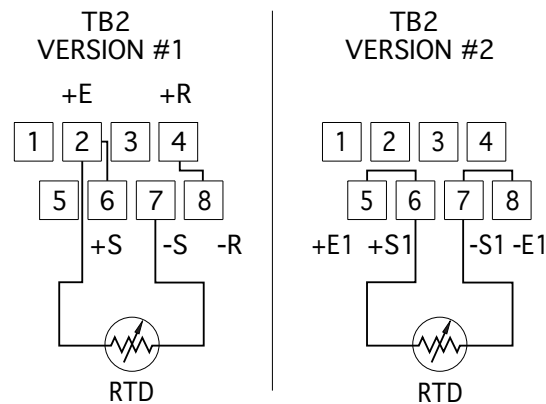


Main ac Power Connections

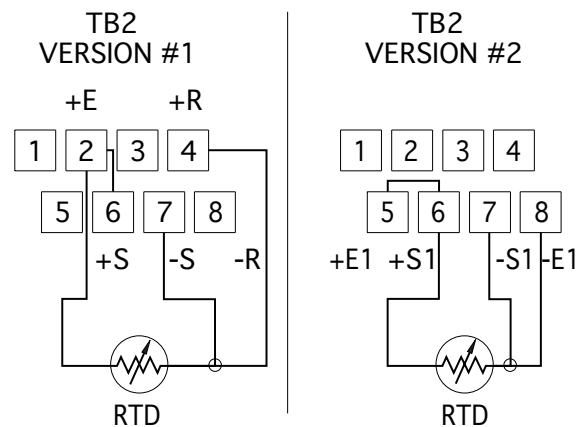
2

Connecting the RTD

1. Locate the TB2 connector on the rear of the meter.
2. Attach the RTD wires, referring to the appropriate diagram below and tighten down lockdown screws.
3. Tug gently on the wires to verify the connections.
4. Replace the panel at the back of the meter.

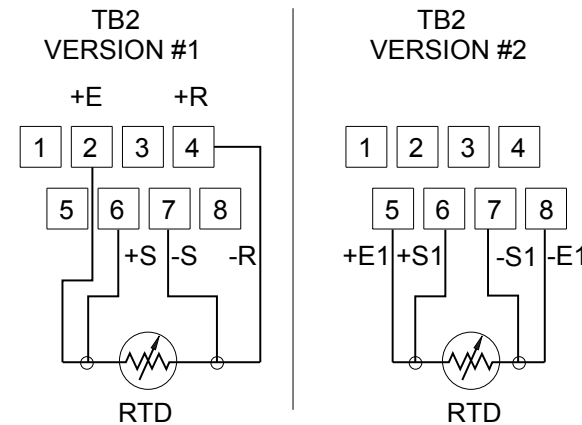


2-Wire RTD Input Connection



3-Wire RTD Input Connection

3



4-Wire RTD Input Connection

Turn on the Meter

1. Apply ac power to the meter. The meter initializes, flashing RST then RTD on the front panel. Then the temperature should appear.
2. Verify that a temperature is displayed. If not:
 - Remove ac power
 - Verify the TB1 power connections
 - Check your power source
 - Apply ac power again

Configure the Meter

To configure the meter, use the buttons on the front panel.

To:	Take This Action
Display the Configuration Menu.	Press the MENU button. The first function on the menu, INPT, displays.
Select the sub-menu (a function you want to perform).	<ol style="list-style-type: none"> 1. Press MENU until the function you want is shown. 2. Press ▶/DEV. The information you can change begins to flash.

4

To:	Take This Action
Select a value for that submenu function.	<ol style="list-style-type: none"> 1. Press ▶/MAX to display the option you want. 2. Press MENU to select it. The message STRD quickly flashes, indicating that the selection has been stored in memory. Then the next menu function displays.
Go back to the previous menu function.	Press RESET once.
Exit the meter Configuration Menu.	<ul style="list-style-type: none"> • Press RESET twice. The reinitializes (displays RST, then RTD). When the temperature displays, the meter is back in run mode. • Optionally, you can press MENU to move through all the menu functions until the meter reinitializes.

To Set the RTD Type:

1. Press **MENU** until the meter displays:
2. Press **▶/DEV**. The meter displays:
3. Press **▲/MAX** until the **RTD** for your installation is shown.
 - RTD.2 is for a 2-wire RTD
 - RTD.3 is for a 3-wire RTD
 - RTD.4 is for a 4-wire RTD
4. Press **MENU** to select the RTD shown. The meter displays: →

MADE IN USA WARRANTY/DISCLAIMER

OMEGA Engineering, Inc. warrants this unit to be free of defects in materials and workmanship for a period of 13 months from date of purchase. OMEGA Warranty adds an additional one (1) month grace period to the normal one (1) year product warranty to cover handling and shipping time. This ensures that OMEGA's customers receive maximum coverage on each product.

If the unit should malfunction, it must be returned to the factory for evaluation. OMEGA's Customer Service Department will issue an Authorized Return (AR) number immediately upon phone or written request. Upon examination by OMEGA, if the unit is found to be defective it will be repaired or replaced at no charge. OMEGA's WARRANTY does not apply to defects resulting from any action of the purchaser, including but not limited to mishandling, improper interfacing, operation outside of design limits, improper repair, or unauthorized modification. This WARRANTY is VOID if the unit shows evidence of having been tampered with or shows evidence of being damaged as a result of excessive corrosion; or current, heat, moisture or vibration; improper specification; misapplication; misuse or other operating conditions outside of OMEGA's control. Components which wear are not warranted, including but not limited to contact points, fuses, and triacs.

OMEGA is pleased to offer suggestions on the use of its various products. However, OMEGA neither assumes responsibility for any omissions or errors nor assumes liability for any damages that result from the use of its products in accordance with information provided by OMEGA, either verbal or written. OMEGA warrants only that the parts manufactured by it will be as specified and free of defects. OMEGA MAKES NO OTHER WARRANTIES OR REPRESENTATIONS OF ANY KIND WHATSOEVER, EXPRESSED OR IMPLIED, EXCEPT THAT OF TITLE, AND ALL IMPLIED WARRANTIES INCLUDING ANY WARRANTY OF MERCHANTABILITY AND FITNESS FOR A PARTICULAR PURPOSE ARE HEREBY DISCLAIMED. LIMITATION OF LIABILITY: The remedies of purchaser set forth herein are exclusive and the total liability of OMEGA with respect to this order, whether based on contract, warranty, negligence, indemnification, strict liability or otherwise, shall not exceed the purchase price of the component upon which liability is based. In no event shall OMEGA be liable for consequential, incidental or special damages.

CONDITIONS: Equipment sold by OMEGA is not intended to be used, nor shall it be used: (1) as a "Basic Component" under 10 CFR 21 (NRC), used in or with any nuclear installation or activity; or (2) in medical applications or used on humans. Should any Product(s) be used in or with any nuclear installation or activity, medical application, used on humans, or misused in any way, OMEGA assumes no responsibility as set forth in our basic WARRANTY / DISCLAIMER language, and additionally, purchaser will indemnify OMEGA and hold OMEGA harmless from any liability or damage whatsoever arising out of the use of the Product(s) in such a manner.

RETURN REQUESTS / INQUIRIES

Direct all warranty and repair requests/inquiries to the OMEGA Customer Service Department. BEFORE RETURNING ANY PRODUCT(S) TO OMEGA, PURCHASER MUST OBTAIN AN AUTHORIZED RETURN (AR) NUMBER FROM OMEGA'S CUSTOMER SERVICE DEPARTMENT (IN ORDER TO AVOID PROCESSING DELAYS). The assigned AR number should then be marked on the outside of the return package and on any correspondence.

The purchaser is responsible for shipping charges, freight, insurance and proper packaging to prevent breakage in transit.

FOR WARRANTY RETURNS, please have the following information available BEFORE contacting OMEGA:

1. P.O. number under which the product was PURCHASED,
2. Model and serial number of the product under warranty, and
3. Repair instructions and/or specific problems relative to the product.

FOR NON-WARRANTY REPAIRS, consult OMEGA for current repair charges. Have the following information available BEFORE contacting OMEGA:

1. P.O. number to cover the COST of the repair,
2. Model and serial number of product, and
3. Repair instructions and/or specific problems relative to the product.

OMEGA's policy is to make running changes, not model changes, whenever an improvement is possible. This affords our customers the latest in technology and engineering.

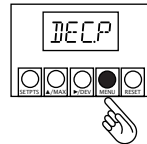
OMEGA is a registered trademark of OMEGA ENGINEERING, INC. © Copyright 1999 OMEGA ENGINEERING, INC. All rights reserved. This document may not be copied, photocopied, reproduced, translated, or reduced to any electronic medium or machine-readable form, in whole or in part, without prior written consent of OMEGA ENGINEERING, INC.

PATENT NOTICE: The "Meter Case Bezel Design" is a trademark of NEWPORT Electronics, Inc., registered in the U.S. USED UNDER LICENSE. This product is covered by one or more of the following patents: U.S. Pat. No. Des. 336,895; 5,274,577 / CANADA 2052599; 2052600 / ITALY 1249456; 1250938 / FRANCE BREVET No. 91 12756 / SPAIN 2039150; 2048066 / UK PATENT No. GB2 249 837; GB2 248 954 / GERMANY DE 41 34398 C2. OTHER INTERNATIONAL PATENTS PENDING.

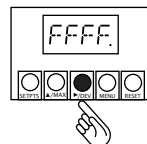
5

To Set the Decimal Point Position:

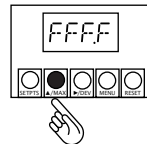
1. If it's not already shown, press **MENU** until the meter shows:



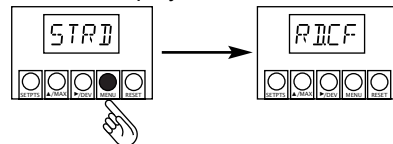
2. Press **▶/DEV**. The meter displays:



3. Press **▲/MAX** to move the decimal point to the desired location. Choices are: FFFF. or FFF.F.

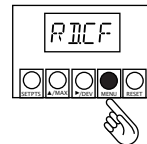


4. Press **MENU** to select the decimal point position shown. The meter displays:

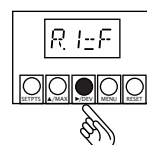


To Select the Temperature Unit (Fahrenheit or Celsius):

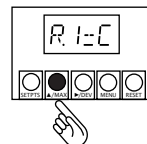
1. If it's not already shown, press **MENU** until the meter shows:



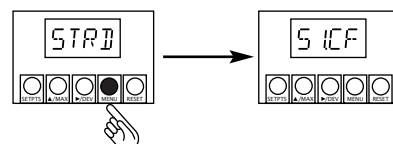
2. Press **▶/DEV**. The meter displays:



3. Press **▲/MAX** to display the setting you want. Choices are **F** and **C**.



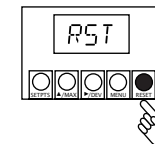
4. Press **MENU** to select the temperature meter shown. The meter displays:



6

Begin Operation

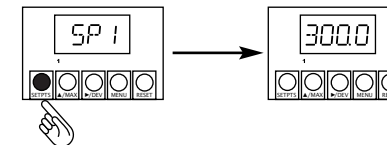
Reinitialize the meter (press **RESET** twice or press **MENU** until **RST** flashes on the display).



When the temperature appears, the meter is up and running.

Changing Setpoint Values:

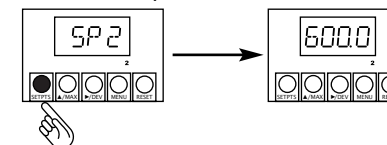
1. While in RUN mode, press **SETPTS**. The unit displays setpoint 1:



You can change setpoint 1 or press **SETPTS** again to show the current value for setpoint 2.

2. To change the setpoint 1 value:

- Press **▶/DEV** until the digit(s) you want to change flashes on the display.
- Press **▲/MAX** to change the value.
- Press **SETPTS** to store the value shown. The current value for setpoint 2 is shown:



3. When setpoint 2 appears, you can change it using the procedure above or press **SETPTS** to return to RUN mode.

WARNING: These products are not designed for use in, and should not be used for, patient connected applications.

This device is marked with the international caution symbol. It is important to read the Setup Guide before installing or commissioning this device as it contains important information relating to safety and EMC.

It is the policy of OMEGA to comply with all worldwide safety and EMC/EMI regulations that apply. OMEGA is constantly pursuing certification of its products to the European New Approach Directives. OMEGA will add the CE mark to every appropriate device upon certification.

The information contained in this document is believed to be correct but OMEGA Engineering, Inc. accepts no liability for any errors it contains, and reserves the right to alter specifications without notice.

TRADEMARK NOTICE: **Ω** **omega.com**[™], and **Ω** **OMEGA**[®] are trademarks of OMEGA Engineering, Inc.



CN1000-RTD TEMPERATURE CONTROLLER WITH TIME PROPORTIONAL CONTROL



OMEGAnet® On-Line Service <http://www.omega.com> **Internet e-mail** info@omega.com

USA: One Omega Drive, P.O. Box 4047, Stamford, CT 06907-0047. Tel: (203) 359-1660. Fax: (203) 359-7700. e-mail: info@omega.com. ISO 9001 Certified.

Canada: 976 Bergar, Laval (Quebec) H7L 5A1. Tel: (514) 856-6928. Fax: (514) 856-6886. e-mail: info@omega.ca.

Mexico: TEL: (001)800-826-6342. En Español: (001) 203-359-7803. e-mail: info@omega.com.mx. FAX: (001) 203-359-7807.

Benelux: Postbus 8034, 1180 LA Amstelveen, The Netherlands. Tel: +31 (0)20 6418405. Toll Free in Benelux: 0800 0993344. e-mail: nl@omega.com. FAX: +31 (0)20 6434643.

Czech Republic: Rudé armády 1868, 733 01 Karviná 8. Tel: +420 (0)69 6311899. e-mail: czech@omega.com. FAX: +420 (0)69 6311114.

France: 9, rue Denis Papin, 78190 Trappes. Tel: +33 (0)130 621 400. Toll Free in France: 0800406342. e-mail: france@omega.com. FAX: +33 (0)130 699 120.

Germany/Austria: Daimlerstrasse 26, D-75392 Deckenpfronn, Germany. Tel: +49 (0)7056 9398-0. Toll Free in Germany: 0800 TC-OMEGA™. e-mail: germany@omega.com. FAX: +49 (0)7056 9398-29.

United Kingdom: One Omega Drive, River Bend Technology Centre, Northbank, Irlam, Manchester M44 5EX United Kingdom. Tel: +44 (0)161 777 6611. Toll Free in United Kingdom: 0800 488 488. e-mail: sales@omega.co.uk. ISO 9002 Certified.