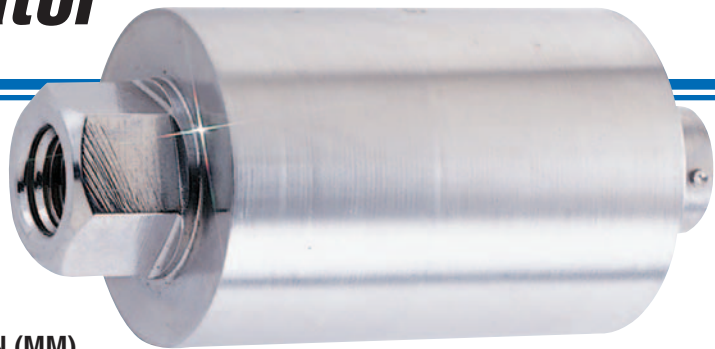


Sputtered Gauge Pressure Transducer with Amplifier/Regulator

Model 6SE01079
0 to 5 thru 0 to 5000 PSI
Isolated 0-5 VDC Output



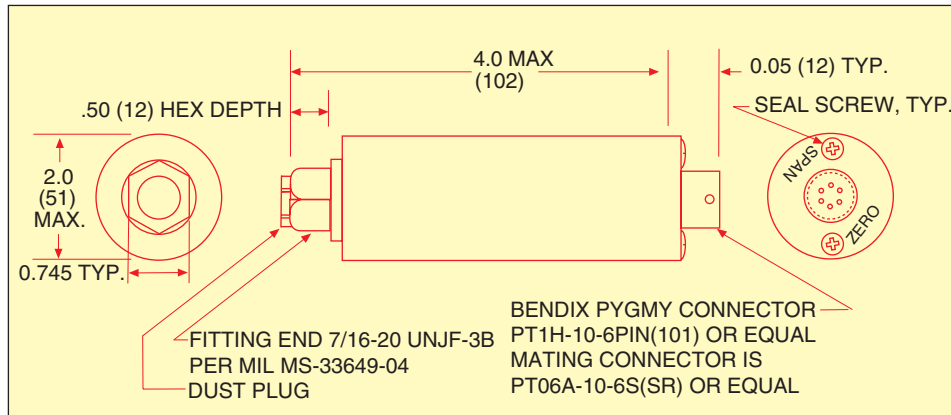
Model 6SE01079
 Shown Smaller Than
 Actual Size



- ✓ High Accuracy
- ✓ Rugged Sputtered Strain Gauge Design
- ✓ All Stainless Steel Construction
- ✓ Isolated 0 to 5 VDC Output
- ✓ Internal Shunt Resistor to Simulate Transducer Output
- ✓ Proven Performance in Extreme Applications

Connections	Connector end
A + 5 VDC	short pins E and F to simulate transducer pressure output
B - 5 VDC	
C - 28 VDC	
D + 28 VDC	
E Shunt	
F Shunt	

DIMENSIONS: IN (MM)



Custom Ranges Available!

To Order (Specify Part Number)

Part Number	Instrument Range	Units	Accuracy
6SE01079-1	0-5	PSIG	0.25%
6SE01079-2	0-10	PSIG	0.25%
6SE01079-3	0-20	PSIG	0.25%
6SE01079-4	0-50	PSIG	0.25%
6SE01079-5	0-100	PSIG	0.25%
6SE01079-6	0-150	PSIG	0.25%
6SE01079-7	0-200	PSIG	0.25%
6SE01079-8	0-500	PSIG	0.25%
6SE01079-9	0-1000	PSIG	0.25%
6SE01079-10	0-1500	PSIG	0.25%
6SE01079-11	0-2000	PSIG	0.25%
6SE01079-12	0-5000	PSIG	0.25%
6SE01079-13	0-50	IN.HgG	0.25%
6SE01079-14	0-100	IN.HgG	0.25%
6SE01079-15	0-200	IN.HgG	0.25%
6SE01079-16	0-500	IN.HgG	0.25%
6SE01079-17	0-1000	IN.HgG	0.25%
6SE01079-18	0-20	PSIA	0.25%
6SE01079-19	0-50	IN.H ₂ O.G	0.25%
6SE01079-20	0-300	PSIG	0.25%
6SE01079-21	0-600	IN.HgG	0.25%
6SE01079-22	0-50	IN.HgA	0.25%
6SE01079-23	0-100	IN.HgA	0.25%

Ordering Example: 6SE01079-6, 0 to 150 psig sputtered strain gauge transducer, 0.1% accuracy with isolated 0 to 5 VDC output. Consult factory for price and delivery.

OMEGADYNE, INC.: Cage - 09AL6
 CEC Pressure Products: Cage - 09384
 Transamerica/CEC: Cage - 09384
 Bell and Howell/CEC: Cage - 14028

T-Hydronics: Cage - 8W004
 Thurman Hydronics: Cage - 11051
OMEGA ENGINEERING, INC.: Cage - 29907
 Vanzetti Systems, Inc.: Cage - 50973

NEWPORT ELECTRONICS, INC.:
 Cage - 32873

1-800-872-3963
1-800-USA-DYNE

OMEGADYNE
 CEC Pressure Products





UNITED STATES

www.omega.com
1-800-TC-OMEGA
Stamford, CT.

CANADA

www.omega.ca
Laval(Quebec)
1-800-TC-OMEGA

GERMANY

www.omega.de
Deckenpfronn, Germany
0800-8266342

UNITED KINGDOM

www.omega.co.uk
Manchester, England
0800-488-488

FRANCE

www.omega.fr
Guyancourt, France
088-466-342

CZECH REPUBLIC

www.omegaeng.cz
Karviná, Czech Republic
596-311-899

BENELUX

www.omega.nl
Amstelveen, NL
0800-099-33-44



More than 100,000 Products Available!

• Temperature

Calibrators, Connectors, General Test and Measurement Instruments, Glass Bulb Thermometers, Handheld Instruments for Temperature Measurement, Ice Point References, Indicating Labels, Crayons, Cements and Lacquers, Infrared Temperature Measurement Instruments, Recorders Relative Humidity Measurement Instruments, RTD Probes, Elements and Assemblies, Temperature & Process Meters, Timers and Counters, Temperature and Process Controllers and Power Switching Devices, Thermistor Elements, Probes and Assemblies, Thermocouples Thermowells and Head and Well Assemblies, Transmitters, Wire

• Flow and Level

Air Velocity Indicators, Doppler Flowmeters, Level Measurement, Magnetic Flowmeters, Mass Flowmeters, Pitot Tubes, Pumps, Rotameters, Turbine and Paddle Wheel Flowmeters, Ultrasonic Flowmeters, Valves, Variable Area Flowmeters, Vortex Shedding Flowmeters

• pH and Conductivity

Conductivity Instrumentation, Dissolved Oxygen Instrumentation, Environmental Instrumentation, pH Electrodes and Instruments, Water and Soil Analysis Instrumentation

• Data Acquisition

Auto-Dialers and Alarm Monitoring Systems, Communication Products and Converters, Data Acquisition and Analysis Software, Data Loggers Plug-in Cards, Signal Conditioners, USB, RS232, RS485 and Parallel Port Data Acquisition Systems, Wireless Transmitters and Receivers

• Pressure, Strain and Force

Displacement Transducers, Dynamic Measurement Force Sensors, Instrumentation for Pressure and Strain Measurements, Load Cells, Pressure Gauges, Pressure Reference Section, Pressure Switches, Pressure Transducers, Proximity Transducers, Regulators, Strain Gages, Torque Transducers, Valves

• Heaters

Band Heaters, Cartridge Heaters, Circulation Heaters, Comfort Heaters, Controllers, Meters and Switching Devices, Flexible Heaters, General Test and Measurement Instruments, Heater Hook-up Wire, Heating Cable Systems, Immersion Heaters, Process Air and Duct, Heaters, Radiant Heaters, Strip Heaters, Tubular Heaters