

GENERAL PURPOSE INDUSTRIAL-GRADE ACCELEROMETERS

100 mV/g OUTPUT

ACC101
\$265



- ✓ Ideal for Machine Vibration Monitoring
- ✓ Low-Impedance Drives, Cable Lengths to 304 m (1000')
- ✓ Fast Turn-On Time (1 s)

The ACC101 accelerometer is low cost yet extremely durable. It is constructed of high-strength aluminum; has a rugged strain relief, a rugged 1/4-28 stud mounting, and an epoxy seal; and uses the kind of dependable components usually found only in higher-priced accelerometers.

SPECIFICATIONS

Excitation: 2 mA nominal @ 24 to 30 Vdc, constant current (18V supply can be used but will limit amplitude range)

Rated Output: 100 mV/g nominal @ 100 Hz

Frequency Range: 3 Hz to 5 kHz (up to ±10% rated output shift)

Amplitude Range: ±70 g peak with ACC-PS1; ±80 g peak with ACC-PS2, ACC-PS3

Amplitude Linearity: ±1% up to 65 g peak

Temperature Range: -18 to 82°C (0 to 180°F)

Temperature Sensitivity Effect: -54 to 38°C (-65 to 100°F) ≤5% FS
38 to 121°C (100 to 250°F) ≤8% FS

Thermal Shock: 1.2 g/°C

Transverse Sensitivity: 5% of axial maximum

Maximum g Without Damage: 5000 g peak

Maximum g Without Clipping: ±80 g peak

Mounted Resonance Frequency: >18 kHz

Output Impedance: 50 Ω nominal

Bias Voltage: 10V nominal

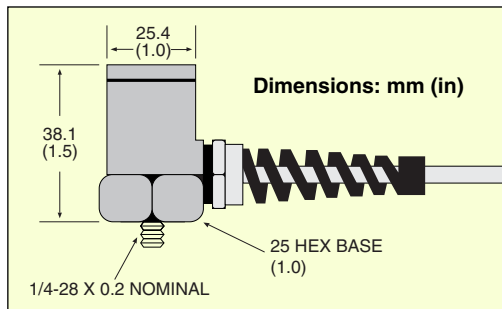


ACC-101, \$265, shown actual size.

BOS-200 oscilloscope, visit omega.com/bos_series.



ACC-101 shown with ACC-PS1 power supply, \$205, and BOS-200 oscilloscope, \$499, both sold separately.



Dimensions: mm (in)

Material: Aluminum; hard anodized thermal insulating boot included

Dimensions: 3.81 H x 2.54 cm (1.50 x 1.0") hex base

Connector: 2.5 m (10') integral coaxial cable with BNCM

Mounting: 1/4-28 removable stud
Mounting Torque Max: 40 cm-kg (35 in-lb)

Base Strain: 0.002 g/microstrain max

Noise Floor (Wideband): 0.00025 g (rms)

Weight: 50 g (1.75 oz) nominal (without cable)

AVAILABLE FOR FAST DELIVERY!

To Order (Specify Model Number)

MODEL NO.	PRICE	DESCRIPTION
ACC101	\$265	General purpose accelerometer

ACCESSORIES

MODEL NO.	PRICE	DESCRIPTION
MAGNET1	\$70	Magnetic mounting base (10 lb holding force) 25.4 Dia. x 31.8 mm H (1.00 x 1.25")
POWER SUPPLIES/SIGNAL CONDITIONERS		
ACC-PS1	\$205	Battery power supply (BNC connections)
ACC-PS2	530	Rechargeable power supply/amplifier (BNC connections)
ACC-PS3	525	AC power supply (BNC connections)
Interface cables used between power supply and instrumentation		
ACC-CB4-15	\$65	4.6 m (15') coaxial cable (BNCM/BNCM)
ACC-CB5-2	35	0.6 m (2') coaxial cable (BNCM/banana plug)
ACC-CB6	15	178 mm (7") coaxial cable (BNCM/pigtail)

Comes complete with operator's manual.

Note: See pages K-16 through K-18 for details on the above power supplies and cables.

Ordering Example: ACC101, accelerometer, ACC-PS1, power supply, ACC-CB5-2, coaxial cable, \$265 + 205 + 35 = \$505.



UNITED STATES

www.omega.com
1-800-TC-OMEGA
Stamford, CT.

CANADA

www.omega.ca
Laval(Quebec)
1-800-TC-OMEGA

GERMANY

www.omega.de
Deckenpfronn, Germany
0800-8266342

UNITED KINGDOM

www.omega.co.uk
Manchester, England
0800-488-488

FRANCE

www.omega.fr
Guyancourt, France
088-466-342

CZECH REPUBLIC

www.omegaeng.cz
Karviná, Czech Republic
596-311-899

BENELUX

www.omega.nl
Amstelveen, NL
0800-099-33-44



More than 100,000 Products Available!

• Temperature

Calibrators, Connectors, General Test and Measurement Instruments, Glass Bulb Thermometers, Handheld Instruments for Temperature Measurement, Ice Point References, Indicating Labels, Crayons, Cements and Lacquers, Infrared Temperature Measurement Instruments, Recorders Relative Humidity Measurement Instruments, RTD Probes, Elements and Assemblies, Temperature & Process Meters, Timers and Counters, Temperature and Process Controllers and Power Switching Devices, Thermistor Elements, Probes and Assemblies, Thermocouples Thermowells and Head and Well Assemblies, Transmitters, Wire

• Flow and Level

Air Velocity Indicators, Doppler Flowmeters, Level Measurement, Magnetic Flowmeters, Mass Flowmeters, Pitot Tubes, Pumps, Rotameters, Turbine and Paddle Wheel Flowmeters, Ultrasonic Flowmeters, Valves, Variable Area Flowmeters, Vortex Shedding Flowmeters

• pH and Conductivity

Conductivity Instrumentation, Dissolved Oxygen Instrumentation, Environmental Instrumentation, pH Electrodes and Instruments, Water and Soil Analysis Instrumentation

• Data Acquisition

Auto-Dialers and Alarm Monitoring Systems, Communication Products and Converters, Data Acquisition and Analysis Software, Data Loggers Plug-in Cards, Signal Conditioners, USB, RS232, RS485 and Parallel Port Data Acquisition Systems, Wireless Transmitters and Receivers

• Pressure, Strain and Force

Displacement Transducers, Dynamic Measurement Force Sensors, Instrumentation for Pressure and Strain Measurements, Load Cells, Pressure Gauges, Pressure Reference Section, Pressure Switches, Pressure Transducers, Proximity Transducers, Regulators, Strain Gages, Torque Transducers, Valves

• Heaters

Band Heaters, Cartridge Heaters, Circulation Heaters, Comfort Heaters, Controllers, Meters and Switching Devices, Flexible Heaters, General Test and Measurement Instruments, Heater Hook-up Wire, Heating Cable Systems, Immersion Heaters, Process Air and Duct, Heaters, Radiant Heaters, Strip Heaters, Tubular Heaters