

GENERAL PURPOSE SIDE-EXIT INDUSTRIAL ACCELEROMETER

ACC320
\$300

- ✓ 2-Pin MIL-Style Connector
- ✓ Splashproof Design
- ✓ Ground Isolated
- ✓ Hermetic Seal
- ✓ For Motors, Pumps, Gearboxes, and General Industrial Applications

SPECIFICATIONS

Sensitivity @ 100 Hz, ±10%: 100 mV/g

Frequency Range:

- ±5% 5 Hz to 4 kHz
- ±10% 4 Hz to 7 kHz
- ±3 dB 2 Hz to 12 kHz

Turn-On Time: ≤0.5 s

Amplitude Range: ±70 g peak

Mounting Resonance: >18 kHz

Transverse Sensitivity: ≤5%

Amplitude Linearity: <1%

Noise (Typical):

Broadband:

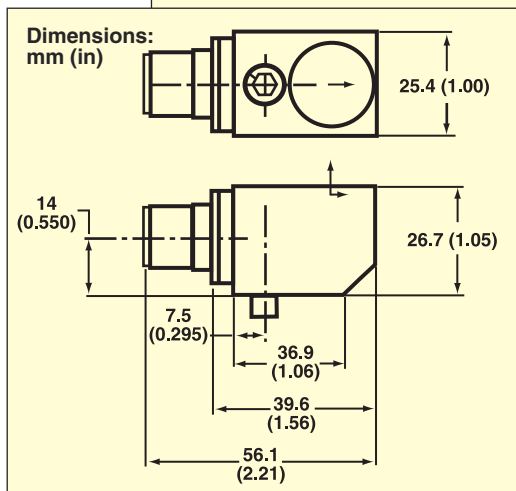
2.5 Hz to 12 kHz 350 µg

Spectral: 10 Hz 30 µg/√Hz

100 Hz 8 µg/√Hz

1000 Hz 3 µg/√Hz

ACC320, \$300, shown larger than actual size.



Output Impedance: 100 Ω

Grounding: Isolated

Bias Voltage: 10 to 14 Vdc

Power Requirement: 24 to 30 Vdc

Current Regulating Diode:

2 to 6 mA cc

Temperature Range: -40 to 121°C
(-40 to 250°F)

Base Strain Sensitivity, Max:

0.005 g/microstrain

Shock Limit: 5000 g peak

PHYSICAL

Weight: 154.5 g (5.5 oz)

Case Material: 304L SS

Design: Piezoelectric—ring shear

Sealing: Welded—hermetic

Mounting: ¼-28 stud (not included)

Mounting Torque: 2.8 N-m (25 in-lb)

Mating Connector: Amphenol

97-3106A-10SL-4S

Recommended Cabling: ACC-CB7-10

MOST POPULAR MODELS HIGHLIGHTED!

To Order (Specify Model Number)

MODEL NO.	PRICE	DESCRIPTION
ACC320	\$300	General purpose accelerometer with side exit connector

ACCESSORIES

MODEL NO.	PRICE	DESCRIPTION
ACC-CB7-10	\$60	3.05 m (10') MIL/BNC twisted-pair shielded cable
ACC-CB7-10WP	90	3.05 m (10') waterproof twisted-pair shielded cable
ACC-PS2	530	3-range battery-powered signal conditioner
ACC-PS3	525	AC-powered signal conditioner
ACC-CB6	15	17.8 cm (7") BNCM/pigtail coaxial cable
ME-1833	89	Reference Book: Vibration Fundamentals

Note: See pages K-20 through K-22 for details on the above signal conditioners.

Ordering Example: ACC320, accelerometer, ACC-CB7-10, cable, ACC-PS2, signal conditioner, \$300 + 60 + 530 = \$890.



UNITED STATES

www.omega.com
1-800-TC-OMEGA
Stamford, CT.

CANADA

www.omega.ca
Laval(Quebec)
1-800-TC-OMEGA

GERMANY

www.omega.de
Deckenpfronn, Germany
0800-8266342

UNITED KINGDOM

www.omega.co.uk
Manchester, England
0800-488-488

FRANCE

www.omega.fr
Guyancourt, France
088-466-342

CZECH REPUBLIC

www.omegaeng.cz
Karviná, Czech Republic
596-311-899

BENELUX

www.omega.nl
Amstelveen, NL
0800-099-33-44



More than 100,000 Products Available!

• Temperature

Calibrators, Connectors, General Test and Measurement Instruments, Glass Bulb Thermometers, Handheld Instruments for Temperature Measurement, Ice Point References, Indicating Labels, Crayons, Cements and Lacquers, Infrared Temperature Measurement Instruments, Recorders Relative Humidity Measurement Instruments, RTD Probes, Elements and Assemblies, Temperature & Process Meters, Timers and Counters, Temperature and Process Controllers and Power Switching Devices, Thermistor Elements, Probes and Assemblies, Thermocouples Thermowells and Head and Well Assemblies, Transmitters, Wire

• Flow and Level

Air Velocity Indicators, Doppler Flowmeters, Level Measurement, Magnetic Flowmeters, Mass Flowmeters, Pitot Tubes, Pumps, Rotameters, Turbine and Paddle Wheel Flowmeters, Ultrasonic Flowmeters, Valves, Variable Area Flowmeters, Vortex Shedding Flowmeters

• pH and Conductivity

Conductivity Instrumentation, Dissolved Oxygen Instrumentation, Environmental Instrumentation, pH Electrodes and Instruments, Water and Soil Analysis Instrumentation

• Data Acquisition

Auto-Dialers and Alarm Monitoring Systems, Communication Products and Converters, Data Acquisition and Analysis Software, Data Loggers Plug-in Cards, Signal Conditioners, USB, RS232, RS485 and Parallel Port Data Acquisition Systems, Wireless Transmitters and Receivers

• Pressure, Strain and Force

Displacement Transducers, Dynamic Measurement Force Sensors, Instrumentation for Pressure and Strain Measurements, Load Cells, Pressure Gauges, Pressure Reference Section, Pressure Switches, Pressure Transducers, Proximity Transducers, Regulators, Strain Gages, Torque Transducers, Valves

• Heaters

Band Heaters, Cartridge Heaters, Circulation Heaters, Comfort Heaters, Controllers, Meters and Switching Devices, Flexible Heaters, General Test and Measurement Instruments, Heater Hook-up Wire, Heating Cable Systems, Immersion Heaters, Process Air and Duct, Heaters, Radiant Heaters, Strip Heaters, Tubular Heaters