

# TOP-MOUNT INDUSTRIAL-GRADE ACCELEROMETERS

ACC786A  
\$185

- ✓ Rugged Design
- ✓ Corrosion Resistant
- ✓ Hermetic Seal
- ✓ Isolated Case
- ✓ ESD Protection
- ✓ Reverse Wiring Protection

The OMEGAROMETER™ Series accelerometers are designed for industrial vibration measurements. They feature a hermetically sealed 316L SS case suitable for harsh environments. The ACC786A is a general purpose model with a top cable exit.

## SPECIFICATIONS

### DYNAMIC

**Sensitivity, ±5%, 25°C (77°F):** 100 mV/g  
**Acceleration Range:** 80 g peak  
**Amplitude Non-Linearity:** 1%  
**Frequency Response:**  
 ±5%: 3 to 5000 Hz  
 ±10%: 1 to 9000 Hz  
 ±3 dB: 0.5 to 14,000 Hz

**Resonance Frequency:** 30 kHz  
**Transverse Sensitivity, Max:** 5% of axial

**Temperature Response:**  
 -50°C (-58°F) = -5%;  
 120°C (248°F) = 5%

### ELECTRICAL

**Power Requirement:**  
**Voltage Source:** 18 to 30 Vdc  
**Current Regulating Diode:** 2 to 10 mA  
**Electrical Noise, Equiv. g:**  
**Broadband:** 2.5 Hz to 25 kHz: 700 µg  
**Spectral:** 10 Hz: 10 µg/√Hz  
 100 Hz: 5 µg/√Hz  
 1000 Hz: 5 µg/√Hz

**Output Impedance, Max:** 100 Ω  
**Bias Output Voltage:** 12 Vdc  
**Grounding:** Isolated case, internally shielded

### ENVIRONMENTAL

**Temperature Range:**  
 -50 to 120°C (-58 to 248°F)  
**Vibration Limit:** 500 g peak



ACC786A, \$185, with optional ACC-CB7-10WP cable, \$90, shown smaller than actual size.



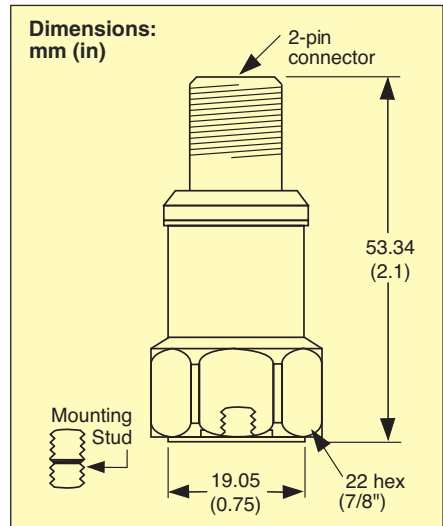
**Shock Limit:** 5000 g peak  
**Electromagnetic Sensitivity, Equiv. g, Max:** 70 µg/gauss  
**Sealing:** Hermetic  
**Base Strain Sensitivity, Max:** 0.0002 g/microstrain

### PHYSICAL

**Sensing Element Design:** PZT ceramic/shear  
**Weight:** 90 g (3.2 oz)  
**Case Material:** 316L SS  
**Mounting:** ¼-28 UNF tapped hole  
**Connections:**

**Pin A:** Power/signal  
**Pin B:** Common

**Output Connector:** 2 pin, MIL-C-5015 style  
**Mating Connector:** Amphenol 97-3106A-10SL-4S type  
**Recommended Cabling:** ACC-CB7-10



**AVAILABLE FOR FAST DELIVERY!**

## To Order (Specify Model Number)

MODEL NO.	PRICE	DESCRIPTION
ACC786A	\$185	General purpose accelerometer with top exit connector

ACC786A includes mounting stud and calibration data and instruction sheet. Specify cable separately; see Accessories.

## ACCESSORIES

MODEL NO.	PRICE	DESCRIPTION
ACC-CB7-10	\$60	3 m (10') MIL/BNC twisted-pair shielded cable
ACC-CB7-10WP	90	3 m (10') waterproof twisted-pair shielded cable
ACC-B3	90	Magnetic mounting base for flat surfaces, 30 lbf
ACC-B5	125	Magnetic mounting base for curved surfaces, 30 lbf
ACC-PS2	530	Rechargeable power supply with built-in amplifier
ACC-PS3*	525	115 Vac power supply

**Note:** See pages K-16 through K-18 for details on the above power supplies and cables

\* For 230 Vac power supply add suffix "-230" to model number, no extra charge.

**Ordering Example:** ACC786A + ACC-CB7-10 + ACC-B3 + ACC-PS2, typical accelerometer system, \$185 + 60 + 90 + 530 = \$865.



#### UNITED STATES

[www.omega.com](http://www.omega.com)  
1-800-TC-OMEGA  
Stamford, CT.

#### CANADA

[www.omega.ca](http://www.omega.ca)  
Laval(Quebec)  
1-800-TC-OMEGA

#### GERMANY

[www.omega.de](http://www.omega.de)  
Deckenpfronn, Germany  
0800-8266342

#### UNITED KINGDOM

[www.omega.co.uk](http://www.omega.co.uk)  
Manchester, England  
0800-488-488

#### FRANCE

[www.omega.fr](http://www.omega.fr)  
Guyancourt, France  
088-466-342

#### CZECH REPUBLIC

[www.omegaeng.cz](http://www.omegaeng.cz)  
Karviná, Czech Republic  
596-311-899

#### BENELUX

[www.omega.nl](http://www.omega.nl)  
Amstelveen, NL  
0800-099-33-44



## More than 100,000 Products Available!

### • Temperature

Calibrators, Connectors, General Test and Measurement Instruments, Glass Bulb Thermometers, Handheld Instruments for Temperature Measurement, Ice Point References, Indicating Labels, Crayons, Cements and Lacquers, Infrared Temperature Measurement Instruments, Recorders Relative Humidity Measurement Instruments, RTD Probes, Elements and Assemblies, Temperature & Process Meters, Timers and Counters, Temperature and Process Controllers and Power Switching Devices, Thermistor Elements, Probes and Assemblies, Thermocouples Thermowells and Head and Well Assemblies, Transmitters, Wire

### • Flow and Level

Air Velocity Indicators, Doppler Flowmeters, Level Measurement, Magnetic Flowmeters, Mass Flowmeters, Pitot Tubes, Pumps, Rotameters, Turbine and Paddle Wheel Flowmeters, Ultrasonic Flowmeters, Valves, Variable Area Flowmeters, Vortex Shedding Flowmeters

### • pH and Conductivity

Conductivity Instrumentation, Dissolved Oxygen Instrumentation, Environmental Instrumentation, pH Electrodes and Instruments, Water and Soil Analysis Instrumentation

### • Data Acquisition

Auto-Dialers and Alarm Monitoring Systems, Communication Products and Converters, Data Acquisition and Analysis Software, Data Loggers Plug-in Cards, Signal Conditioners, USB, RS232, RS485 and Parallel Port Data Acquisition Systems, Wireless Transmitters and Receivers

### • Pressure, Strain and Force

Displacement Transducers, Dynamic Measurement Force Sensors, Instrumentation for Pressure and Strain Measurements, Load Cells, Pressure Gauges, Pressure Reference Section, Pressure Switches, Pressure Transducers, Proximity Transducers, Regulators, Strain Gages, Torque Transducers, Valves

### • Heaters

Band Heaters, Cartridge Heaters, Circulation Heaters, Comfort Heaters, Controllers, Meters and Switching Devices, Flexible Heaters, General Test and Measurement Instruments, Heater Hook-up Wire, Heating Cable Systems, Immersion Heaters, Process Air and Duct, Heaters, Radiant Heaters, Strip Heaters, Tubular Heaters